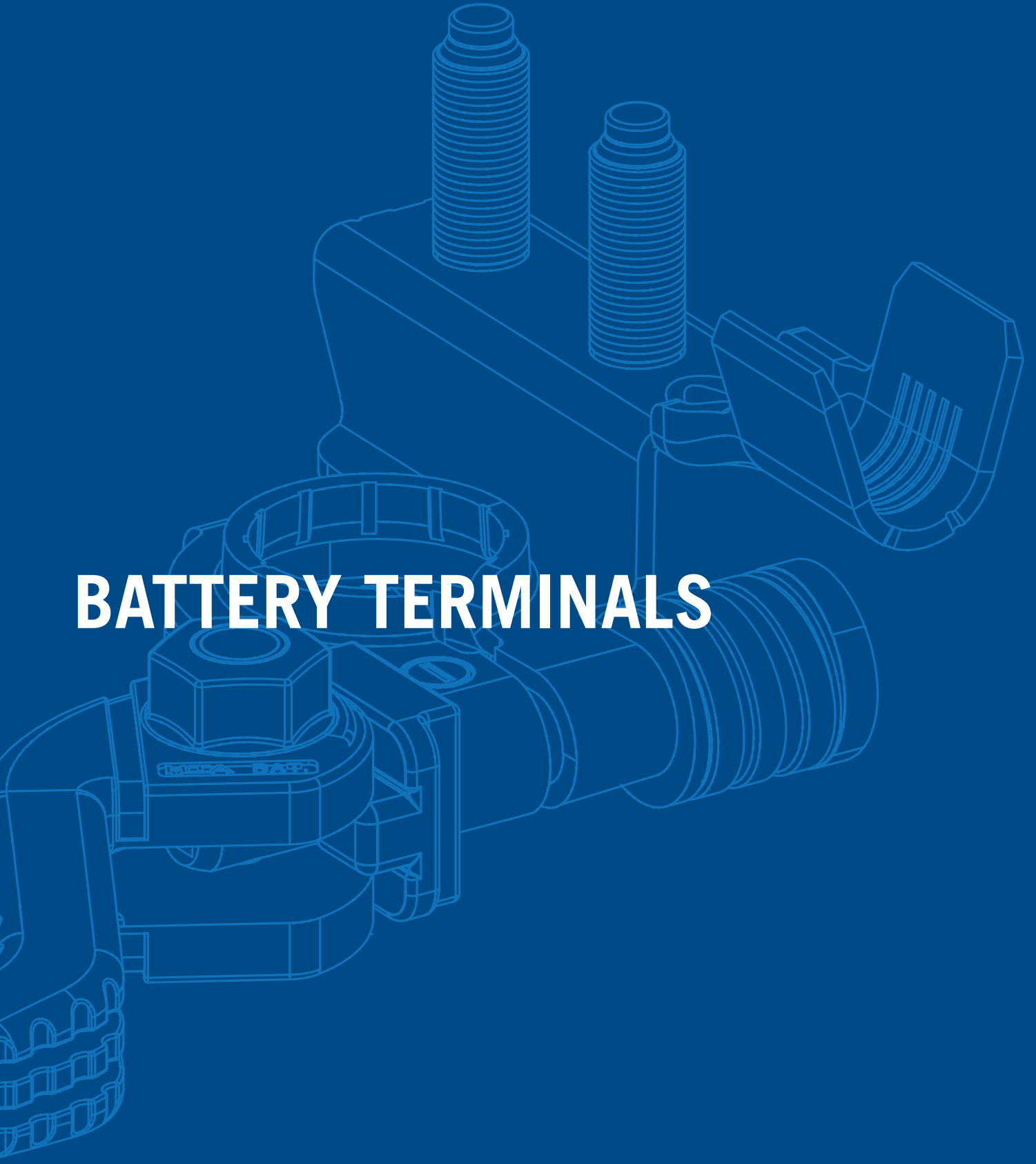
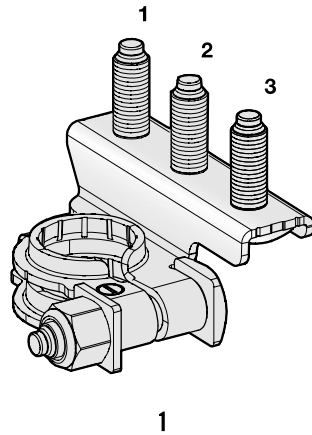


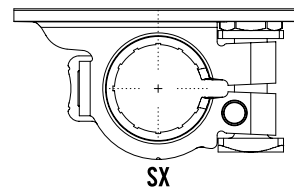
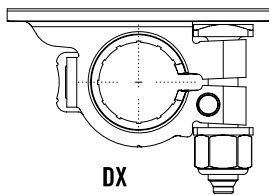
# BATTERY TERMINALS



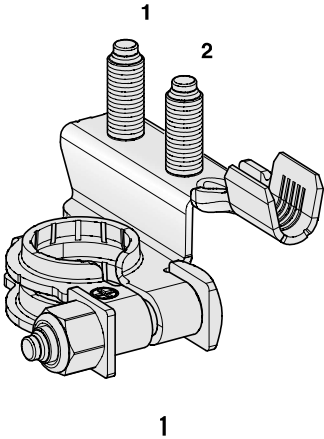
# DOUBLE RING



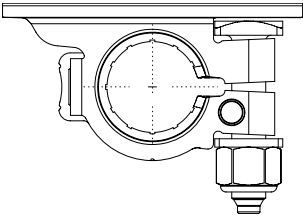
IMG	DESCRIPTION	POLARITY	SCREW 1	SCREW 2	SCREW 3	MATERIAL	MATERIAL THICKNESS mm	P/N BOX	MOQ	P/N BULK	MOQ
1	M686DX	+	M6	M8	M6	CuZn-Sn	1,5	1507701	10	1507700	200
	M686DX	-	M6	M8	M6	CuZn-Sn	1,5	1507704	10	1507705	250
	M666DX	+	M6	M6	M6	CuZn-Sn	1,5			1507703	200
	M666DX	-	M6	M6	M6	CuZn-Sn	1,5			1507707	220
	M666SX	+	M6	M6	M6	CuZn-Sn	1,5			1507708	220
	M666SX	-	M6	M6	M6	CuZn-Sn	1,5			1507736	200
	M080SX	+	/	M8	/	CuZn-Sn	1,5			1507760	250
	M606DX	+	M6	/	M6	CuZn-Sn	1,5			1507772	250
	M606SX	+	M6	/	M6	CuZn-Sn	1,5			1507771	250
	M868DX	+	M8	M6	M8	CuZn-Sn	1,5			1507790	200



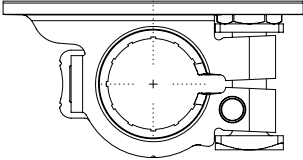
# DOUBLE RING



IMG	DESCRIPTION	POLARITY	SCREW 1	SCREW 2	WIRE SECTION mm <sup>2</sup>	MATERIAL	MATERIAL THICKNESS mm	P/N BULK	MOQ
1	M66DX	+	M6	M6	10÷20	CuZn-Sn	1,3	1507800	200
	M66DX	+	M6	M6	25÷40	CuZn-Sn	1,3	1507820	200
	M66DX	-	M6	M6	25÷40	CuZn-Sn	1,3	1507875	200
	M06SX	+	/	M6	25÷40	CuZn-Sn	1,3	1507830	200

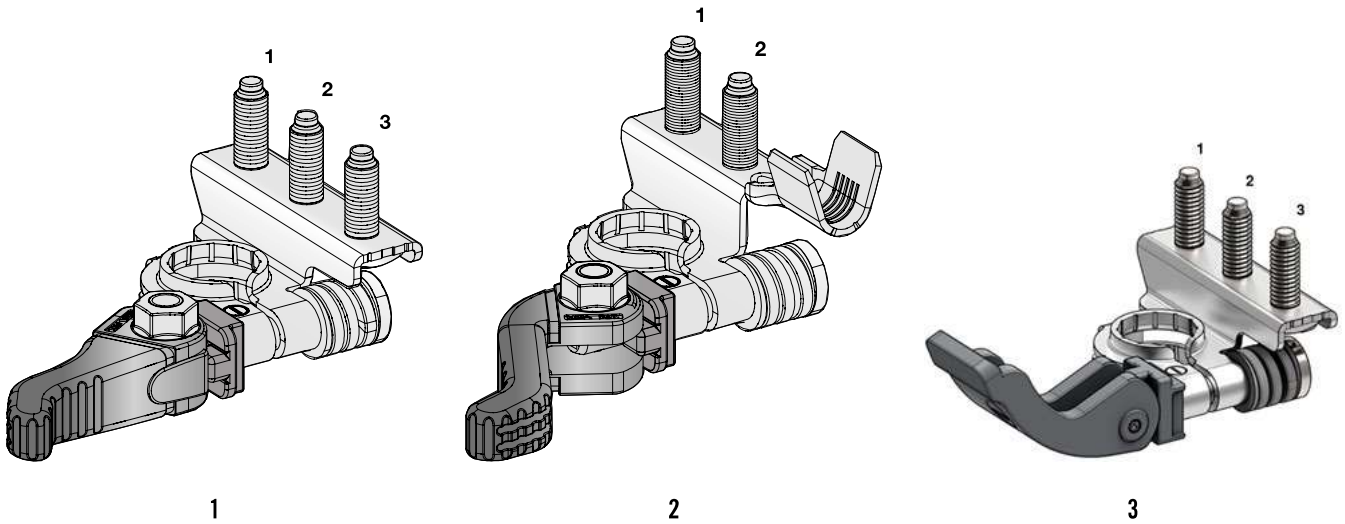


DX

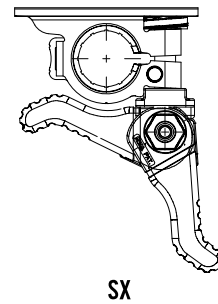
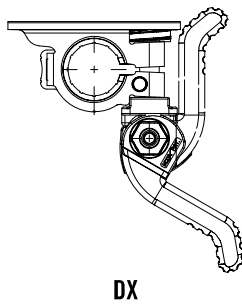


SX

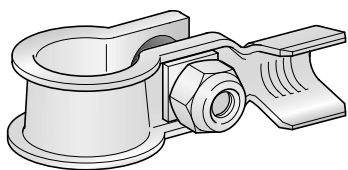
# QUICK LOCK



IMG.	DESCRIPTION	POLARITY	SCREW 1	SCREW 2	SCREW 3	WIRE SECTION mm <sup>2</sup>	MATERIAL	MATERIAL THICKNESS mm	P/N BULK	MOQ
1	M666SX	-	M6	M6	M6		CuZn-Sn	1,5	1507905	130
	M666SX	+	M6	M6	M6		CuZn-Sn	1,5	1507975	130
	M666DX	-	M6	M6	M6		CuZn-Sn	1,5	1507915	130
2	M66DX	-	M6	M6		10÷20	CuZn-Sn	1,3	1507925	130
	M66DX	-	M6	M6		25÷40	CuZn-Sn	1,3	1507955	130
	M60DX	-	M6			10÷20	CuZn-Sn	1,3	1507946	100
	M66DX	-	M6	M6		AWG1	CuZn-Sn	1,3	1507957	200
3	VQR	-	M6	M6	M6		CuZn33-Sn	1,5	1507601	100



# STRIP TYPE



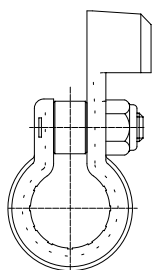
1



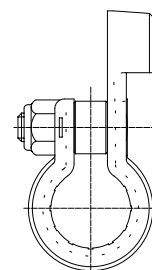
1

2

IMG	DESCRIPTION	POLARITY	SCREW 1	WIRE SECTION mm <sup>2</sup>	MATERIAL	MATERIAL THICKNESS mm	P/N BULK	MOQ
1	STRIP DX	-		10÷20	CuZn-Sn	1,2	1506655	400
	STRIP DX	-		25÷40	CuZn-Sn	1,2	1506665	400
	STRIP SX	-		10÷20	CuZn-Sn	1,2	1506658	400
	STRIP SX	-		25÷40	CuZn-Sn	1,2	1506668	400
	STRIP DX	+		10÷20	CuZn-Sn	1,2	1506720	400
	STRIP DX	+		25÷40	CuZn-Sn	1,2	1506730	400
2	STRIP SX	-	M8		CuZn-Sn	1,2	1506678	400

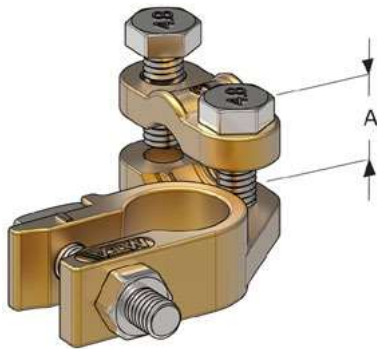


DX

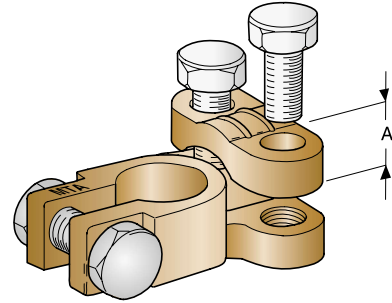


SX

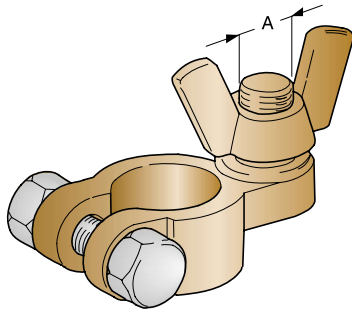
# DIE CAST



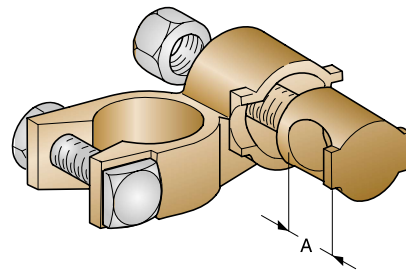
1



2



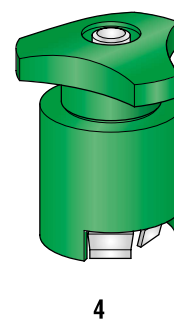
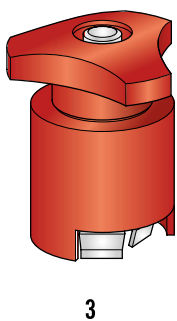
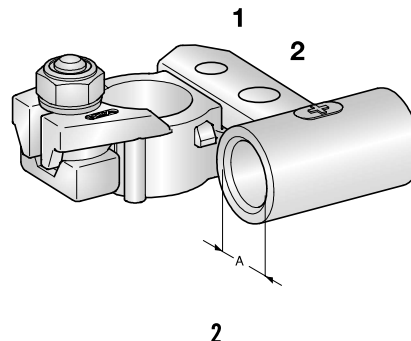
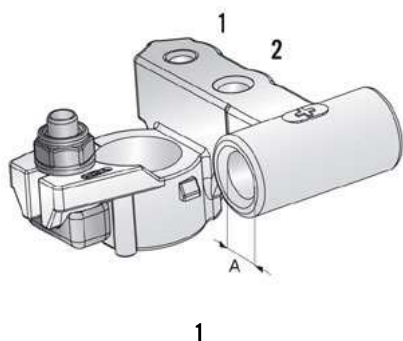
3



4

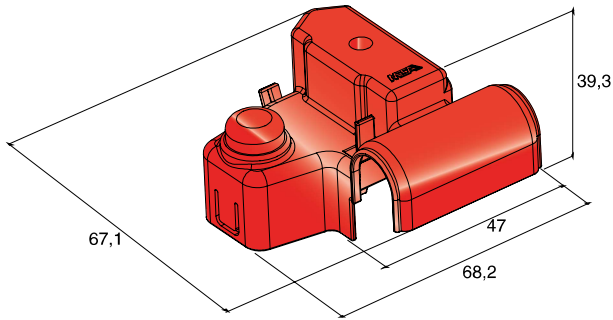
IMG	DESCRIPTION	POLARITY	WIRE SECTION mm <sup>2</sup>	MATERIAL	A mm <sup>2</sup>	P/N BOX	MOQ
1	DIE CAST	+		BRASS	25÷50	1506100	25
	DIE CAST	-		BRASS	25÷50	1506110	25
2	DIE CAST	+		BRASS	25÷50	1506270	25
	DIE CAST	-		BRASS	25÷50	1506280	25
3	DIE CAST	+		BRASS	M10	1506120	25
	DIE CAST	-		BRASS	M8	1506130	25
4	BATTERY TERMINAL	+	25	BRASS		1506250	25
	BATTERY TERMINAL	-	25	BRASS		1506260	25

# DIE CAST & FRENCH TYPES

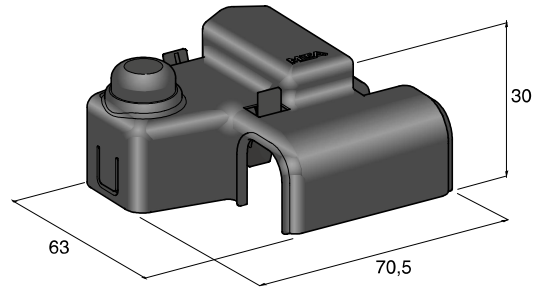


IMG	DESCRIPTION	POLARITY	SCREW 1	SCREW 2	A mm <sup>2</sup>	MATERIAL	COLOUR	P/N BULK	MOQ
1	DIE CAST	+	M6	M8	50	BRASS Sn		1506765	70
2	DIE CAST	+	M6	M8	70	BRASS Sn		1506740	150
	DIE CAST	-	M6	M8	50	BRASS Sn		1506760	150
3	BATTERY TERMINAL	+	-			PE - NYLON	■ RED	1506200	25
4	BATTERY TERMINAL	-	-			PE - NYLON	■ GREEN	1506210	25

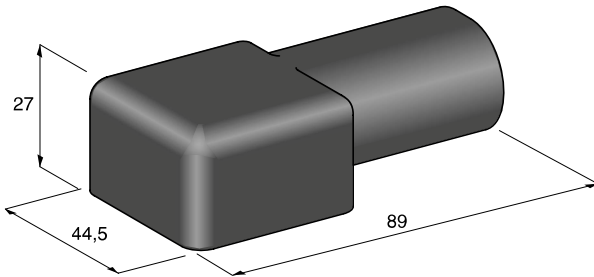
# PROTECTION COVERS



1

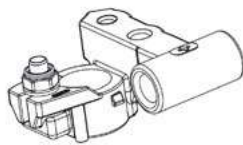


2

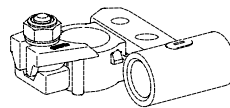


3

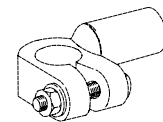
IMG	DESCRIPTION	POLARITY	MATERIAL	COLOUR	P/N BULK	MOQ
1	COVER FOR 1506765	+	PP	Red	4510499	500
2	COVER FOR 150674X	+	PP	Red	4510496	500
	COVER FOR 150676X	-	PP	Black	4510497	500
3	COVER		EPDM	Black	4510495	500



1



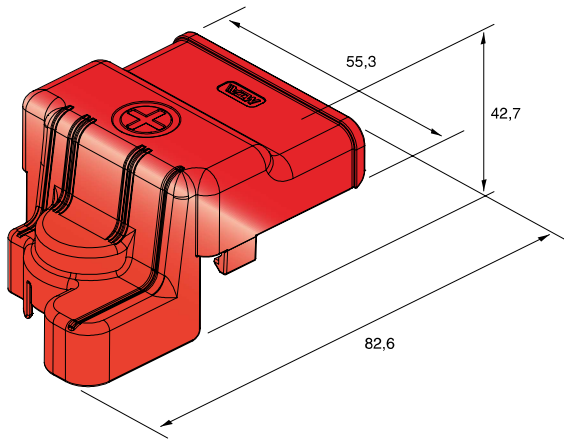
2



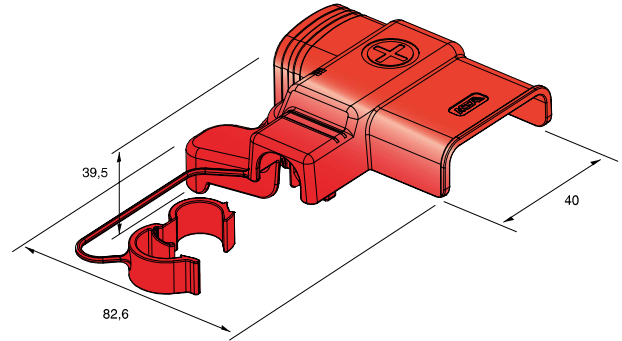
3



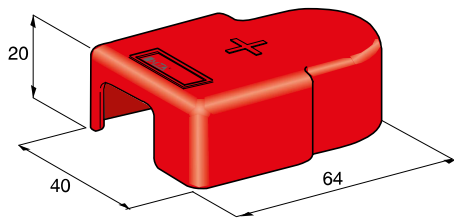
# PROTECTION COVERS



1

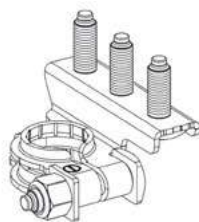


2

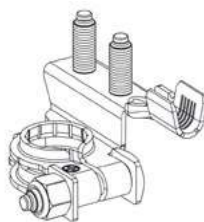


3

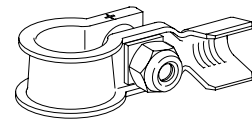
IMG	DESCRIPTION	POLARITY	MATERIAL	COLOUR	P/N BULK	MOQ
1	COVER FOR 15077XX	+	PP	Red	4510503	100
2	COVER FOR 15078XX	+	PP	Red	4510502	100
3	COVER FOR 1506720/21/30/31	+	PP	Red	4510480	500



1



2



3