

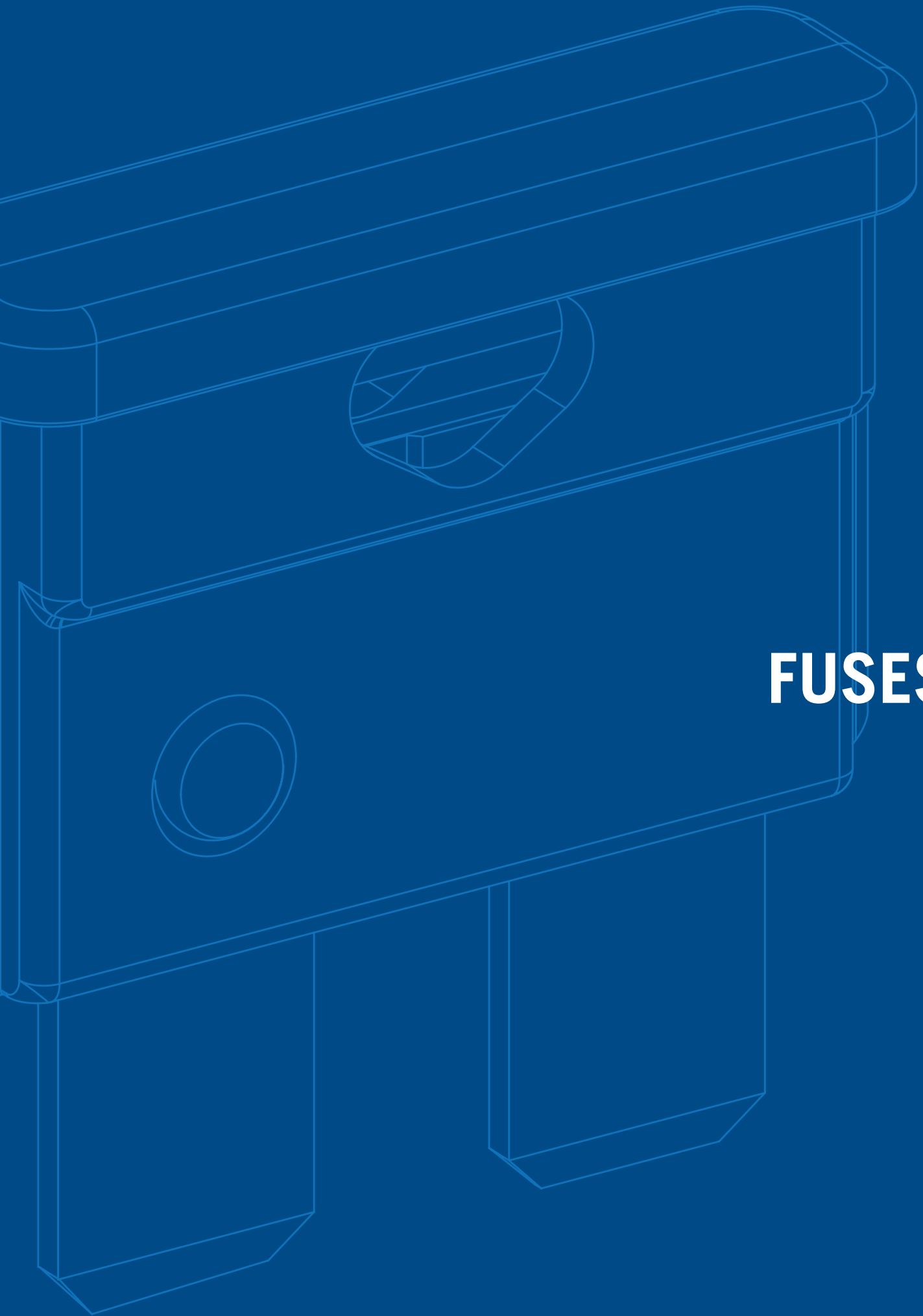
PRODUCT CATALOGUE

2024



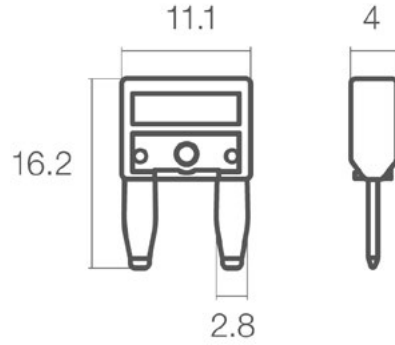
INDEX

FUSES	3
POWER DISTRIBUTION UNITS	19
MAIN DISTRIBUTION UNITS	36
FUSE/RELAY HOLDERS	63
ADAPTERS & FIXING PLATES	88
CONNECTORS	93
BATTERY TERMINALS	114
TERMINALS	123
INSULATED TERMINALS	161
RADIATOR/OIL/GASOLINE CAPS & SENSORS	170
CABLES	175
SUNDRIES	180
LIST OF ALL ITEMS	190



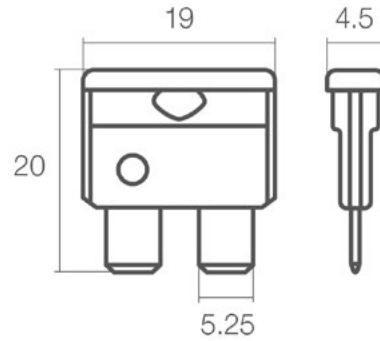
FUSES

MINIVAL®



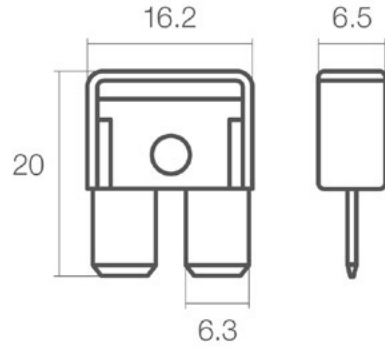
AMP	DESCRIPTION	COLOUR	BLADE MATERIAL AND COATING	P/N BLISTER	INNER BOX PCS	MOQ	P/N BOX	MOQ	P/N BULK	MOQ
2A	MINIVAL	Grey	TIN PLATED ZINC ALLOY	0600090	25	500	0700090	200	0705090	5000
3A	MINIVAL	Violet	TIN PLATED ZINC ALLOY	0600100	25	500	0700100	200	0705100	5000
4A	MINIVAL	Pink	TIN PLATED ZINC ALLOY	0600101	25	500	0700101	200	0705101	5000
5A	MINIVAL	Light brown	TIN PLATED ZINC ALLOY	0600110	25	500	0700110	200	0705110	5000
7,5A	MINIVAL	Brown	TIN PLATED ZINC ALLOY	0600120	25	500	0700120	200	0705120	5000
10A	MINIVAL	Red	TIN PLATED ZINC ALLOY	0600130	25	500	0700130	200	0705130	5000
15A	MINIVAL	Blue	TIN PLATED ZINC ALLOY	0600140	25	500	0700140	200	0705140	5000
20A	MINIVAL	Yellow	TIN PLATED ZINC ALLOY	0600150	25	500	0700150	200	0705150	5000
25A	MINIVAL	Natural	TIN PLATED ZINC ALLOY	0600160	25	500	0700160	200	0705160	5000
30A	MINIVAL	Green	TIN PLATED ZINC ALLOY	0600170	25	500	0700170	200	0705170	5000

UNIVAL®



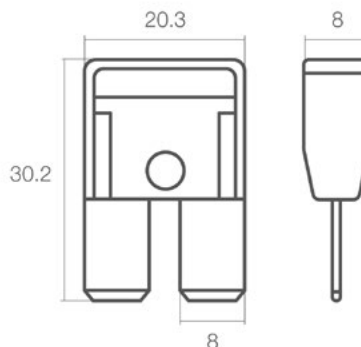
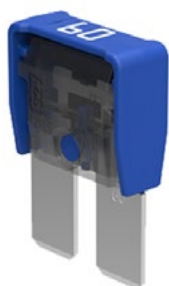
AMP	DESCRIPTION	COLOUR	BLADE MATERIAL AND COATING	P/N BOX	INNER BOX PCS	MOQ	P/N BULK	MOQ	P/N BULK	MOQ
1A	UNIVAL	Black	ZINC ALLOY	0600380		100	0700380	2000		
2A	UNIVAL	Grey	ZINC ALLOY	0600390		100	0700390	2000		
3A	UNIVAL	Violet	ZINC ALLOY	0600400	100	1200	0700300	2000	0710300	6000
4A	UNIVAL	Pink	ZINC ALLOY	0600401		100	0700301	2000		
5A	UNIVAL	Light brown	ZINC ALLOY	0600410	100	1200	0700310	2000	0710310	6000
7,5A	UNIVAL	Brown	ZINC ALLOY	0600420	100	1200	0700320	2000	0710320	6000
10A	UNIVAL	Red	ZINC ALLOY	0600430	100	1200	0700330	2000	0710330	6000
15A	UNIVAL	Blue	ZINC ALLOY	0600440	100	1200	0700340	2000	0710340	6000
20A	UNIVAL	Yellow	ZINC ALLOY	0600450	100	1200	0700350	2000	0710350	6000
25A	UNIVAL	Natural	ZINC ALLOY	0600460	100	1200	0700360	2000	0710360	6000
30A	UNIVAL	Green	ZINC ALLOY	0600470	100	1200	0700370	2000	0710370	6000
40A	UNIVAL	Orange	ZINC ALLOY	0600375	100	1200	0700375	2000	0710375	6000

MAXICOMPACT®



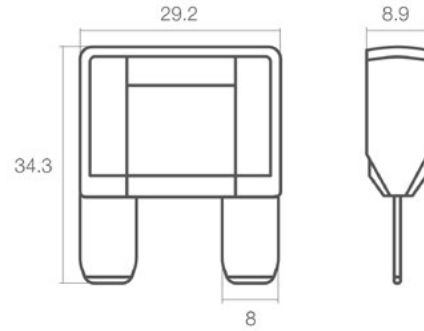
AMP	DESCRIPTION	COLOUR	BLADE MATERIAL AND COATING	P/N BOX	MOQ	P/N BULK	MOQ
20A	MAXICOMPACT	Yellow	TIN PLATED ZINC ALLOY	0602920	100	0702920	2000
25A	MAXICOMPACT	White	TIN PLATED ZINC ALLOY	0602925	100	0702925	2000
30A	MAXICOMPACT	Light green	TIN PLATED ZINC ALLOY	0602930	100	0702930	2000
35A	MAXICOMPACT	Dark green	TIN PLATED ZINC ALLOY	0602935	100	0702935	2000
40A	MAXICOMPACT	Orange	TIN PLATED ZINC ALLOY	0602940	100	0702940	2000
50A	MAXICOMPACT	Red	TIN PLATED ZINC ALLOY	0602950	100	0702950	2000
60A	MAXICOMPACT	Blue	TIN PLATED ZINC ALLOY	0602960	100	0702960	2000
25A	MAXICOMPACT CU	White	SILVER PLATED COPPER			0702825	1700
30A	MAXICOMPACT CU	Light green	SILVER PLATED COPPER			0702830	1700
35A	MAXICOMPACT CU	Dark green	SILVER PLATED COPPER			0702835	1700
40A	MAXICOMPACT CU	Orange	SILVER PLATED COPPER			0702840	1700
50A	MAXICOMPACT CU	Red	SILVER PLATED COPPER			0702850	1700
60A	MAXICOMPACT CU	Blue	SILVER PLATED COPPER			0702860	1700

M8COMPACT®



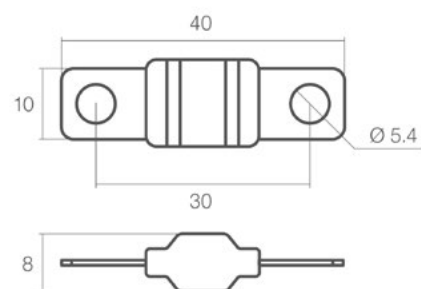
AMP	DESCRIPTION	COLOUR	BLADE MATERIAL AND COATING	P/N BOX	MOQ	P/N BULK	MOQ
30A	M8COMPACT	Light green	TIN PLATED ZINC ALLOY	0610030	150	0710030	1000
35A	M8COMPACT	Dark green	TIN PLATED ZINC ALLOY	0610035	150	0710035	1000
40A	M8COMPACT	Orange	TIN PLATED ZINC ALLOY	0610040	150	0710040	1000
50A	M8COMPACT	Red	TIN PLATED ZINC ALLOY	0610050	150	0710050	1000
60A	M8COMPACT	Blue	TIN PLATED ZINC ALLOY	0610060	150	0710060	1000
70A	M8COMPACT	Brown	TIN PLATED ZINC ALLOY	0610070	150	0710070	1000
80A	M8COMPACT	Black	TIN PLATED ZINC ALLOY	0610080	150	0710080	1000
30A	M8COMPACT CU	Light green	SILVER PLATED COPPER			0710130	700
40A	M8COMPACT CU	Orange	SILVER PLATED COPPER			0710140	700
50A	M8COMPACT CU	Red	SILVER PLATED COPPER			0710150	700
60A	M8COMPACT CU	Blue	SILVER PLATED COPPER			0710160	700
70A	M8COMPACT CU	Brown	SILVER PLATED COPPER			0710170	700
80A	M8COMPACT CU	Black	SILVER PLATED COPPER			0710180	700
100A	M8COMPACT CU	Violet	SILVER PLATED COPPER			0710100	700

MAXIVAL®



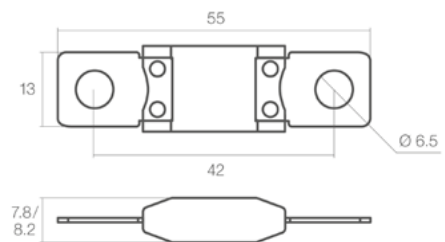
AMP	DESCRIPTION	COLOUR	BLADE MATERIAL AND COATING	P/N BOX	INNER BOX PCS	MOQ	P/N BULK	MOQ
20A	MAXIVAL	Yellow	TIN PLATED ZINC ALLOY	0600900	10	240	0700900	1000
30A	MAXIVAL	Green	TIN PLATED ZINC ALLOY	0600910	10	240	0700910	1000
40A	MAXIVAL	Orange	TIN PLATED ZINC ALLOY	0600920	10	240	0700920	1000
50A	MAXIVAL	Red	TIN PLATED ZINC ALLOY	0600930	10	240	0700930	1000
60A	MAXIVAL	Blue	TIN PLATED ZINC ALLOY	0600940	10	240	0700940	1000
70A	MAXIVAL	Light brown	TIN PLATED ZINC ALLOY	0600950	10	240	0700950	1000
80A	MAXIVAL	Natural	TIN PLATED ZINC ALLOY	0600960	10	240	0700960	1000
100A	MAXIVAL	Violet	TIN PLATED ZINC ALLOY	0600970	10	240	0700970	1000
NEW	40A	MAXIVAL	Orange				0712040	800
NEW	50A	MAXIVAL	Red				0712050	800
NEW	60A	MAXIVAL	Blue				0712060	800

MIDIVAL®



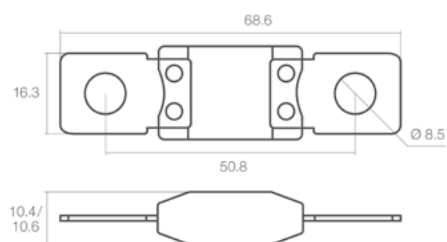
AMP	DESCRIPTION	COLOUR	BLADE MATERIAL AND COATING	P/N BLISTER	INNER BOX PCS	MOQ	P/N BULK	MOQ
30A	MIDIVAL	Orange	TIN PLATED ZINC ALLOY	0602030	1	20	0702030	1000
40A	MIDIVAL	Green	TIN PLATED ZINC ALLOY	0602040	1	20	0702040	1000
50A	MIDIVAL	Red	TIN PLATED ZINC ALLOY	0602050	1	20	0702050	1000
60A	MIDIVAL	Yellow	TIN PLATED ZINC ALLOY	0602060	1	20	0702060	1000
70A	MIDIVAL	Brown	TIN PLATED ZINC ALLOY	0602070	1	20	0702070	1000
80A	MIDIVAL	White	TIN PLATED ZINC ALLOY	0602080	1	20	0702080	1000
100A	MIDIVAL	Blue	TIN PLATED ZINC ALLOY	0602100	1	20	0702100	1000
125A	MIDIVAL	Pink	TIN PLATED ZINC ALLOY	0602125	1	20	0702125	1000
30A	MIDIVAL CU	Orange	TIN PLATED COPPER				0708030	1500
40A	MIDIVAL CU	Green	TIN PLATED COPPER				0708040	1500
50A	MIDIVAL CU	Red	TIN PLATED COPPER				0708050	1500
60A	MIDIVAL CU	Yellow	TIN PLATED COPPER				0708060	1500
70A	MIDIVAL CU	Brown	TIN PLATED COPPER				0708070	1500
80A	MIDIVAL CU	White	TIN PLATED COPPER				0708080	1500
100A	MIDIVAL CU	Blue	TIN PLATED COPPER				0708100	1500
125A	MIDIVAL CU	Pink	TIN PLATED COPPER				0708125	1500
150A	MIDIVAL CU	Grey	TIN PLATED COPPER				0708150	1500
175A	MIDIVAL CU	Light brown	TIN PLATED COPPER				0708175	1500
200A	MIDIVAL CU	Violet	TIN PLATED COPPER				0708200	1500

MEGACOMPACT®



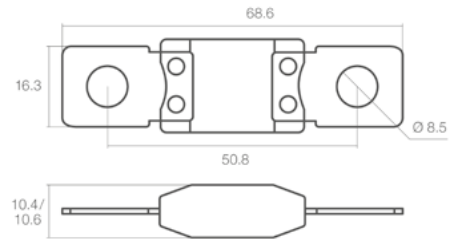
AMP	DESCRIPTION	COLOUR	BLADE MATERIAL AND COATING	P/N BOX	MOQ	P/N BULK	MOQ
80A	MEGACOMPACT	Red	TIN PLATED COPPER	0615080	20	0715080	700
100A	MEGACOMPACT	Yellow	TIN PLATED COPPER	0615100	20	0715100	700
125A	MEGACOMPACT	Green	TIN PLATED COPPER	0615125	20	0715125	700
150A	MEGACOMPACT	Orange	TIN PLATED COPPER	0615150	20	0715150	700
175A	MEGACOMPACT	White	TIN PLATED COPPER	0615175	20	0715175	700
200A	MEGACOMPACT	Blue	TIN PLATED COPPER	0615200	20	0715200	700
225A	MEGACOMPACT	Light brown	TIN PLATED COPPER	0615225	20	0715225	700
250A	MEGACOMPACT	Pink	TIN PLATED COPPER	0615250	20	0715250	700
300A	MEGACOMPACT	Grey	TIN PLATED COPPER	0615300	20	0715300	700
CAL5	MEGACOMPACT	Black	TIN PLATED COPPER	0615500	20	0715500	700

MEGAVAL®



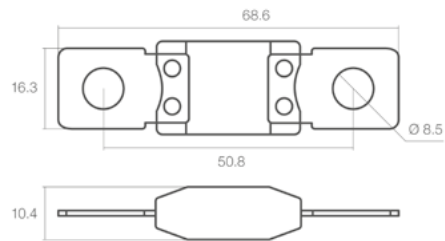
AMP	DESCRIPTION	COLOUR	BLADE MATERIAL AND COATING	P/N BLISTER	INNER BOX PCS	MOQ	P/N BULK	MOQ
100A	MEGAVAL	Yellow	TIN PLATED ZINC ALLOY	0601100	1	20	0701100	700
125A	MEGAVAL	Green	TIN PLATED ZINC ALLOY	0601125	1	20	0701125	700
150A	MEGAVAL	Orange	TIN PLATED ZINC ALLOY	0601150	1	20	0701150	700
175A	MEGAVAL	White	TIN PLATED ZINC ALLOY	0601175	1	20	0701175	700
200A	MEGAVAL	Blue	TIN PLATED ZINC ALLOY	0601200	1	20	0701200	700
250A	MEGAVAL	Pink	TIN PLATED ZINC ALLOY	0601250	1	20	0701250	700
100A	MEGAVAL CU	Yellow	TIN PLATED COPPER				0711100	350
125A	MEGAVAL CU	Green	TIN PLATED COPPER				0711125	350
150A	MEGAVAL CU	Orange	TIN PLATED COPPER				0711150	350
175A	MEGAVAL CU	White	TIN PLATED COPPER				0711175	350
200A	MEGAVAL CU	Blue	TIN PLATED COPPER				0711200	350
225A	MEGAVAL CU	Light brown	TIN PLATED COPPER				0711225	350
250A	MEGAVAL CU	Pink	TIN PLATED COPPER				0711250	350
300A	MEGAVAL CU	Grey	TIN PLATED COPPER	0601300	1	20	0701300	700
400A	MEGAVAL CU	Violet	TIN PLATED COPPER	0601401	1	20	0701401	700
500A	MEGAVAL CU	Brown	TIN PLATED COPPER	0601600	1	20	0701600	700

MEGAVAL® 70 V



AMP	DESCRIPTION	COLOUR.	BLADE MATERIAL AND COATING	P/N BULK	MOQ
100A	MEGAVAL CU 70V	Yellow	TIN PLATED COPPER	0730100	350
125A	MEGAVAL CU 70V	Green	TIN PLATED COPPER	0730125	350
150A	MEGAVAL CU 70V	Orange	TIN PLATED COPPER	0730150	350
175A	MEGAVAL CU 70V	White	TIN PLATED COPPER	0730175	350
200A	MEGAVAL CU 70V	Blue	TIN PLATED COPPER	0730200	350
225A	MEGAVAL CU 70V	Light brown	TIN PLATED COPPER	0730225	350
250A	MEGAVAL CU 70V	Pink	TIN PLATED COPPER	0730250	350
300A	MEGAVAL CU 70V	Grey	TIN PLATED COPPER	0730300	350
400A	MEGAVAL CU 70V	Violet	TIN PLATED COPPER	0730400	350
500A	MEGAVAL CU 70V	Brown	TIN PLATED COPPER	0730500	350

POWerval®



AMP	DESCRIPTION	COLOUR	BLADE MATERIAL AND COATING	P/N BLISTER	INNER BOX PCS	MOQ	P/N BULK	MOQ
CAL.1	POWerval	Grey	TIN PLATED ZINC ALLOY	0601350	1	20	0701350	700
CAL.2	POWerval	Black	TIN PLATED ZINC ALLOY	0601400	1	20	0701400	700
CAL.3	POWerval	Red	TIN PLATED COPPER	0601450	1	20	0701450	700
CAL.4	POWerval	Brown	TIN PLATED COPPER	0601500	1	20	0701500	700
CAL.5	POWerval	Wheat grey	TIN PLATED COPPER	0601700		1	0701700	700

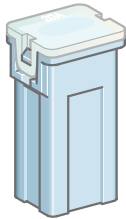
JAPVAL®



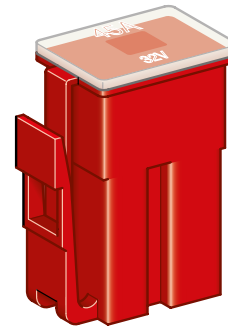
1



2



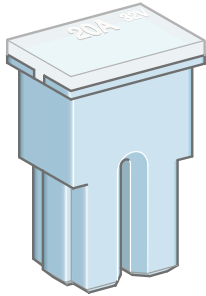
3



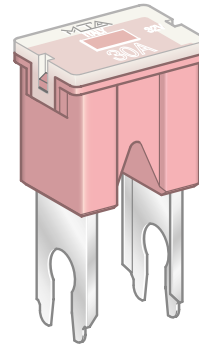
4

IMG	AMP	DESCRIPTION	COLOUR	P/N BLISTER	INNER BOX PCS	MOQ
1	15A	MICRO FEMALE 10	Grey	0404015	1	20
	20A	MICRO FEMALE 10	Azure	0404020	1	20
	25A	MICRO FEMALE 10	White	0404025	1	20
	30A	MICRO FEMALE 10	Pink	0404030	1	20
	40A	MICRO FEMALE 10	Green	0404040	1	20
2	20A	MICRO FEMALE 14	Azure	0424020	1	20
	25A	MICRO FEMALE 14	White	0424025	1	20
	30A	MICRO FEMALE 14	Pink	0424030	1	20
	40A	MICRO FEMALE 14	Green	0424040	1	20
	50A	MICRO FEMALE 14	Red	0424050	1	20
3	60A	MICRO FEMALE 14	Yellow	0424060	1	20
	20A	MINI FEMALE 14	Azure	0474020	1	20
	30A	MINI FEMALE 14	Pink	0474030	1	20
	40A	MINI FEMALE 14	Green	0474040	1	20
	50A	MINI FEMALE 14	Red	0474050	1	20
	60A	MINI FEMALE 14	Yellow	0474060	1	20
	70A	MINI FEMALE 14	Brown	0474070	1	20
4	80A	MINI FEMALE 14	Black	0474080	1	20
	45A	CLIP	Red	0477045	1	20
	65A	CLIP	Black	0477065	1	20
	75A	CLIP	Grey	0477075	1	20

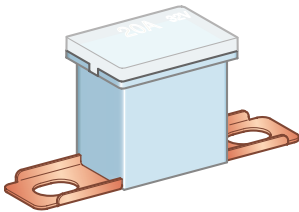
JAPVAL®



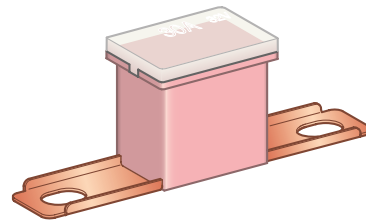
1



2



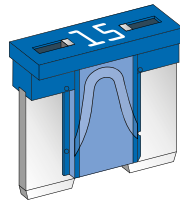
3



4

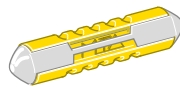
IMG	AMP	DESCRIPTION	COLOUR	P/N BLISTER	INNER BOX PCS	MOQ
1	20A	FEMALE	Azure	0470020	1	20
	30A	FEMALE	Pink	0470030	1	20
	40A	FEMALE	Green	0470040	1	20
	50A	FEMALE	Red	0470050	1	20
	60A	FEMALE	Yellow	0470060	1	20
	80A	FEMALE	Black	0470080	1	20
	100A	FEMALE	Blue	0470100	1	20
2	30A	MALE	Pink	0471030	1	20
	40A	MALE	Green	0471040	1	20
	50A	MALE	Red	0471050	1	20
	60A	MALE	Yellow	0471060	1	20
	80A	MALE	Black	0471080	1	20
	100A	MALE	Blue	0471100	1	20
3	20A	MALE 48	Azure	0475020	1	20
	30A	MALE 48	Pink	0475030	1	20
	40A	MALE 48	Green	0475040	1	20
	50A	MALE 48	Red	0475050	1	20
	60A	MALE 48	Yellow	0475060	1	20
	70A	MALE 48	Brown	0475070	1	20
	80A	MALE 48	Black	0475080	1	20
	100A	MALE 48	Blue	0475100	1	20
4	30A	MALE 62	Pink	0472030	1	20
	40A	MALE 62	Green	0472040	1	20
	50A	MALE 62	Red	0472050	1	20
	60A	MALE 62	Yellow	0472060	1	20
	80A	MALE 62	Black	0472080	1	20
	100A	MALE 62	Blue	0472100	1	20

MINI LOW PROFILE



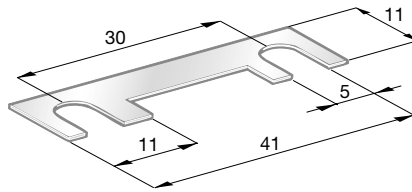
AMP	DESCRIPTION	COLOUR	P/N BOX	MOQ
2A	MINI LOW PROFILE	Grey	0700210	200
3A	MINI LOW PROFILE	Violet	0700220	200
4A	MINI LOW PROFILE	Pink	0700230	200
5A	MINI LOW PROFILE	Light brown	0700240	200
7,5A	MINI LOW PROFILE	Brown	0700250	200
10A	MINI LOW PROFILE	Red	0700260	200
15A	MINI LOW PROFILE	Blue	0700270	200
20A	MINI LOW PROFILE	Yellow	0700280	200
25A	MINI LOW PROFILE	Natural	0700290	200
30A	MINI LOW PROFILE	Green	0700302	200

CONTINENTAL



AMP	DESCRIPTION	COLOUR	P/N BOX	MOQ
5A	FIAT 9.91806	Yellow	0200140	100
8A	FIAT 9.91806	Black	0200150	100
16A	FIAT 9.91806	Green	0200170	100
25A	FIAT 9.91806	Brown	0200180	100
5A	DIN 72581	Yellow	0200140	100
8A	DIN 72581	White	0200151	100
16A	DIN 72581	Red	0200171	100
25A	DIN 72581	Blue	0200181	100

STRIP

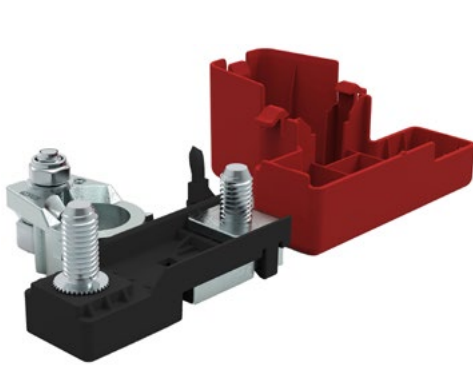


AMP	DESCRIPTION	P/N BOX	MOQ
30A	STRIP FUSE	0200296	100
40A	STRIP FUSE	0200300	100
50A	STRIP FUSE	0200297	100
60A	STRIP FUSE	0200301	100
80A	STRIP FUSE	0200298	100
100A	STRIP FUSE	0200299	100

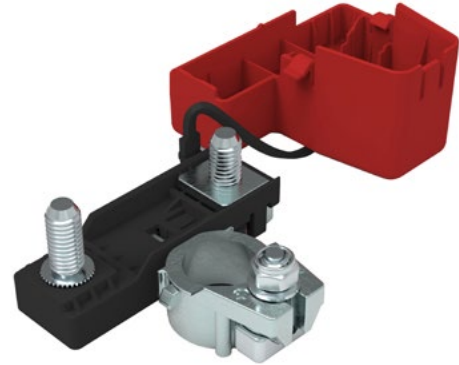
The image features a technical line-art illustration of a power distribution unit (PDU) assembly, rendered in white lines against a solid blue background. The assembly is shown from an isometric perspective, highlighting its complex structure. It includes a main base with multiple vertical posts and slots, a top cover with a latch mechanism, and various internal components like connectors and mounting brackets. The text 'POWER DISTRIBUTION UNITS' is prominently displayed in the center-left area of the image.

POWER DISTRIBUTION UNITS

BDU

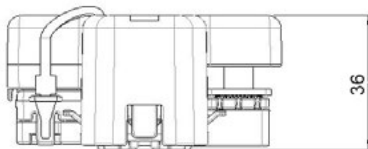


1

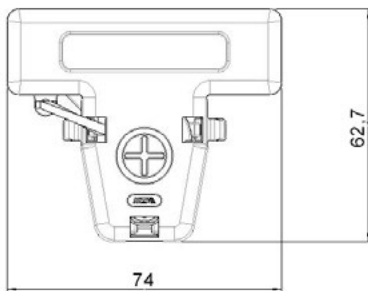


2

IMG	DESCRIPTION	P/N BULK	MOQ
1	PRE MOUNTED HOUSING FOR 1 POWER/MEGAVAL WITH DIE CASTED BATTERY TERMINAL RIGHT	0301229	48
2	PRE MOUNTED HOUSING FOR 1 POWER/MEGAVAL WITH DIE CASTED BATTERY TERMINAL LEFT	0301230	48

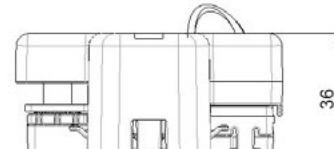


36

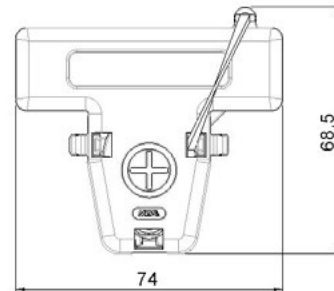


62.7

74



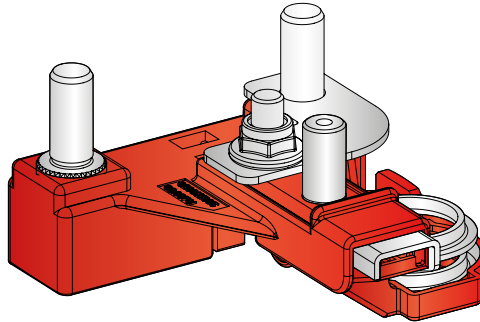
36



68.5

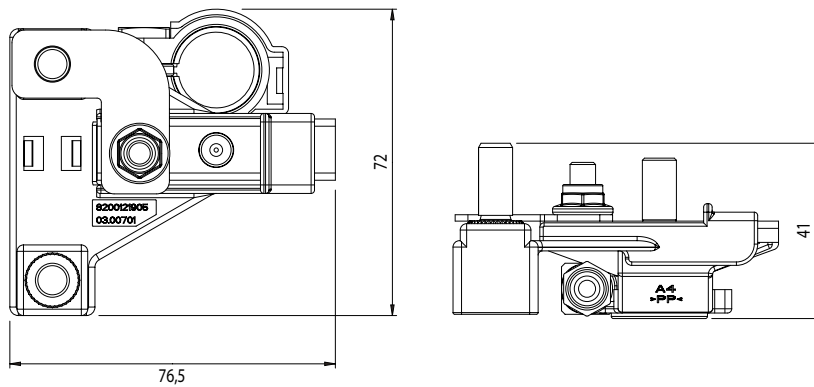
74

CBA X73



1

IMG	DESCRIPTION	P/N	MOQ
1	PRE-MOUNTED HOUSING FOR 1 POWER/MEGAVAL WITH BATTERY TERMINAL	0100703	1



CONNECTIONS AND FIXINGS



1608180
1608190

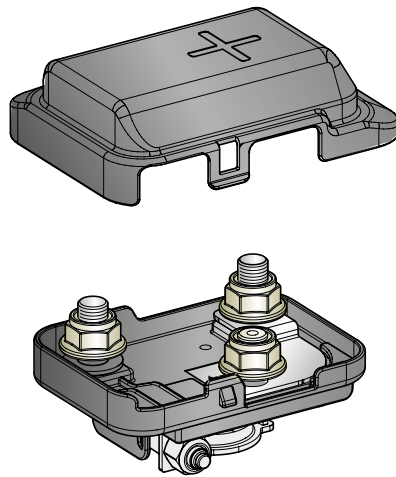


1708110
1708120



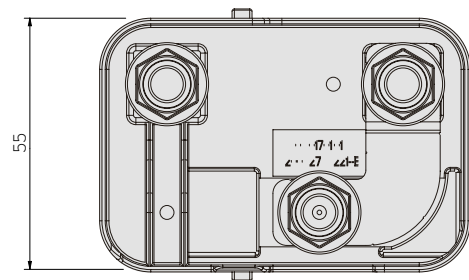
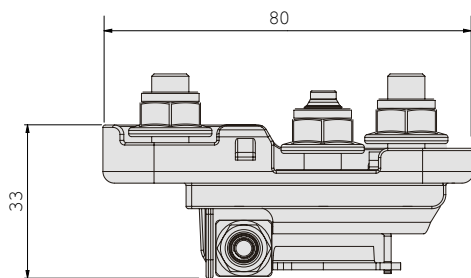
1608196

CBA J81 L4



1

IMG	DESCRIPTION	P/N	MOQ
1	PRE MOUNTED HOUSING FOR 1 MEGA/POWERVAL WITH COVER AND BATTERY TERMINAL	0101703	1

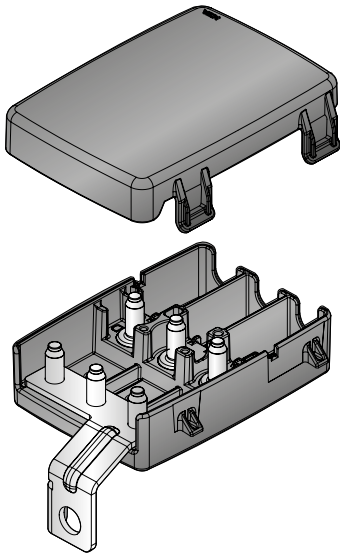


CONNECTIONS AND FIXINGS

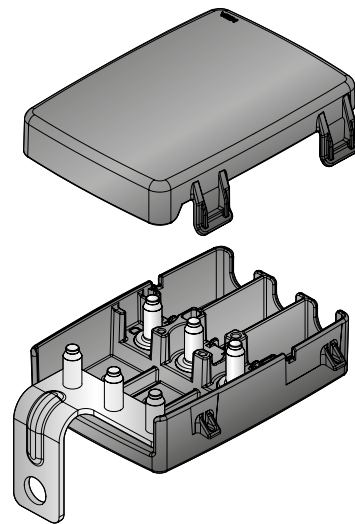


CBA J81 L4

3-WAY MIDIVAL®

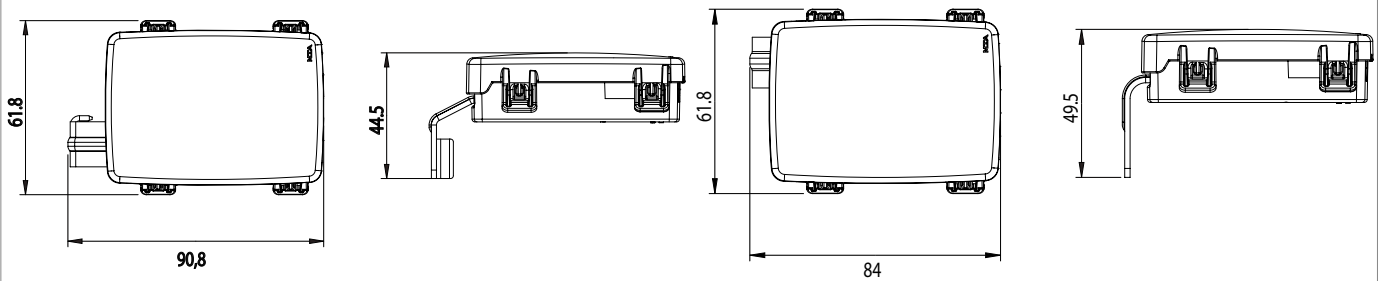


1

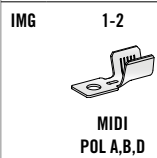


2

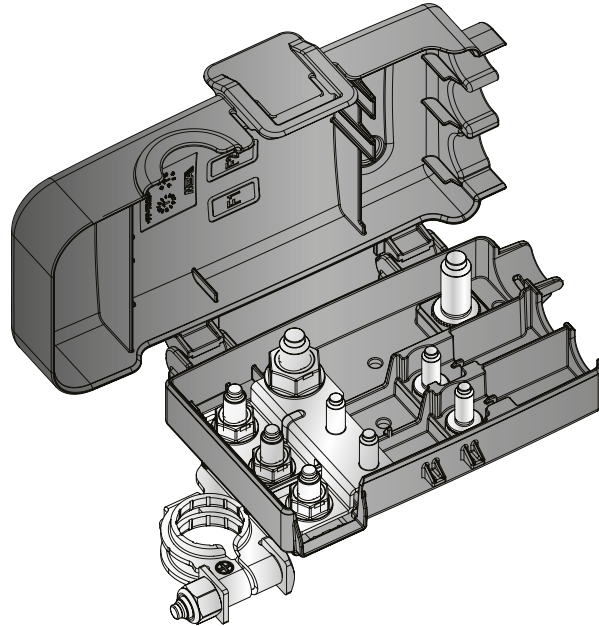
IMG	DESCRIPTION	P/N	MOQ
1	PRE MOUNTED HOUSING DX FOR 3 MIDIVAL WITH COVER AND BUS BAR	0300442	1
2	PRE MOUNTED HOUSING SX FOR 3 MIDIVAL WITH COVER AND BUS BAR	0300468	1



CONNECTIONS AND FIXINGS

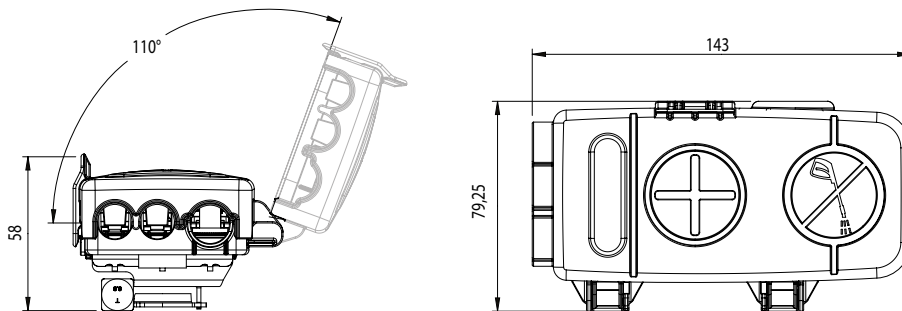


CDB



1

IMG	DESCRIPTION	P/N BULK	MOQ
1	PRE MOUNTED HOUSING FOR 2 MIDIVAL AND 1 POWerval/MEGAVAL WITH BATTERY TERMINAL	0300839	20



CONNECTIONS AND FIXINGS

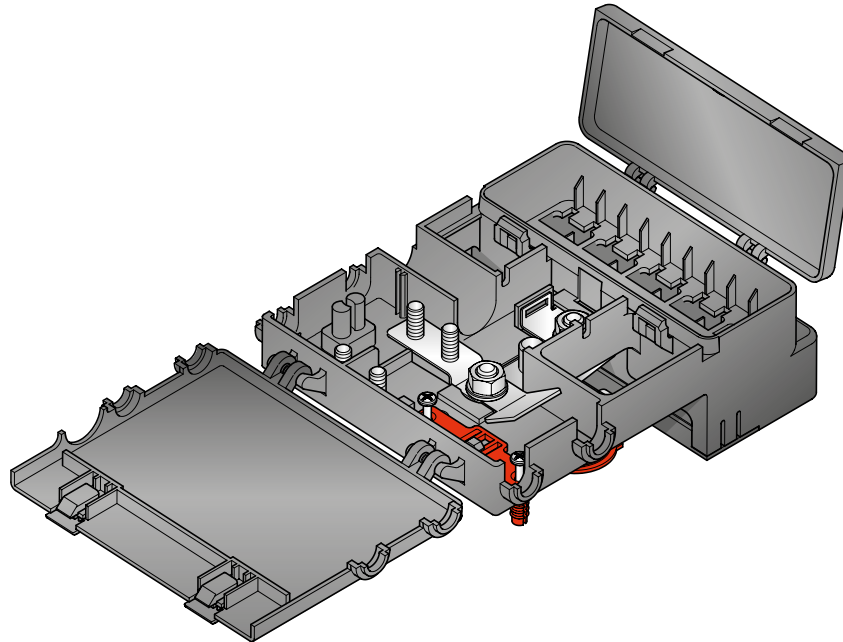


MIDI
POL A,B



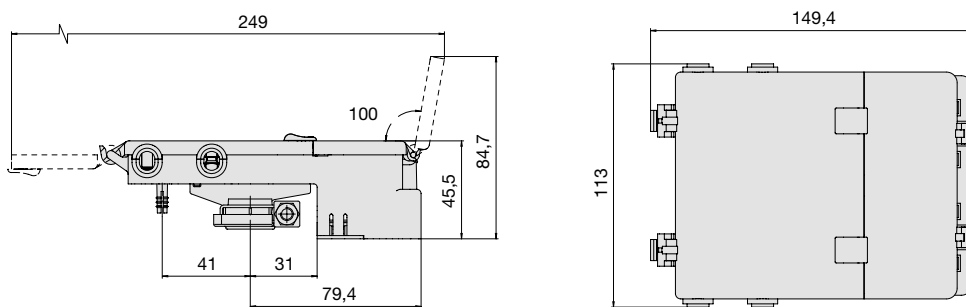
MEGA

LINK BATT

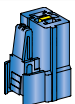


1

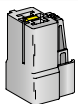
IMG	DESCRIPTION	P/N	MOQ
1	PRE MOUNTED HOUSING FOR 8 MAXIVAL AND 2 MIDIVAL	0100710	1



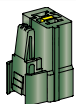
CONNECTIONS AND FIXINGS



4540315



4540345



4540325



4540305



4545100

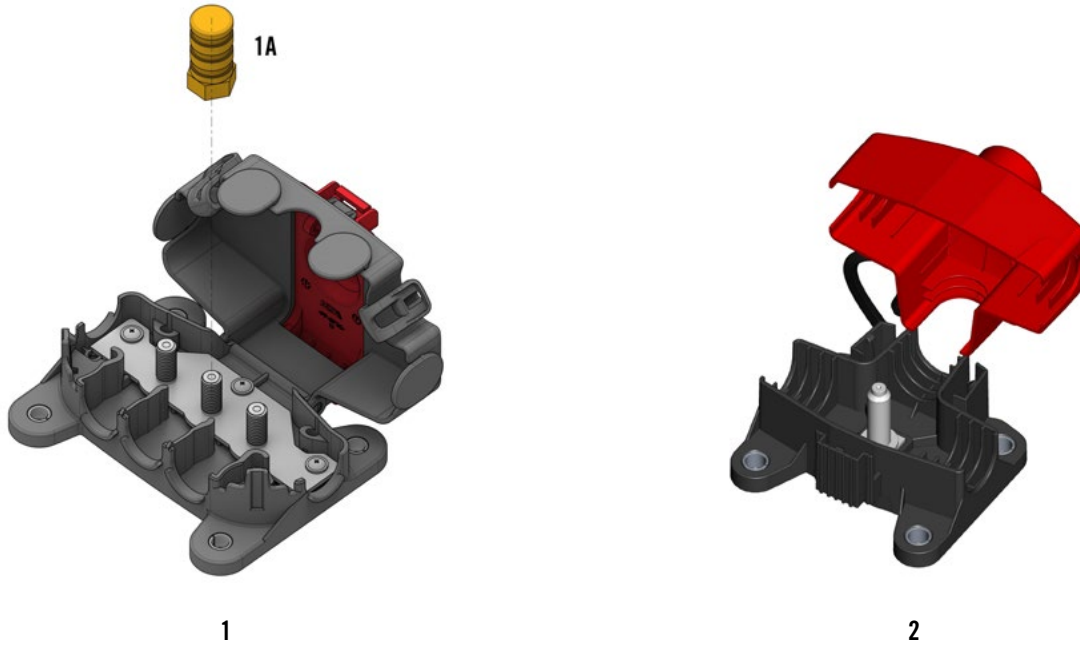


MIDI

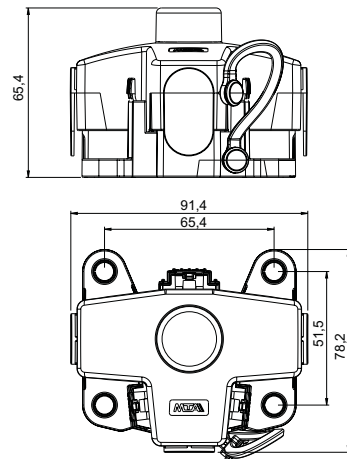
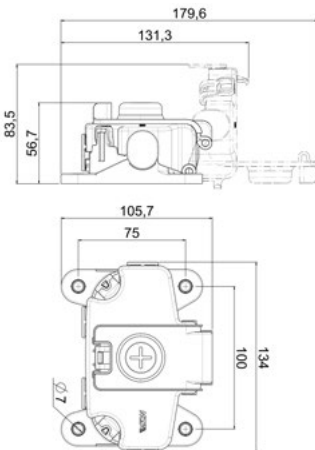


SQR-A

JUMP START



IMG	DESCRIPTION	P/N BULK	MOQ
1	JUMP START NODE	4541203	60
1a	JUMP START PLUG FOR POWER DISTRIBUTION	4541204	200
2	POWER DISTRIBUTOR WITH JUMP START	4541205	96

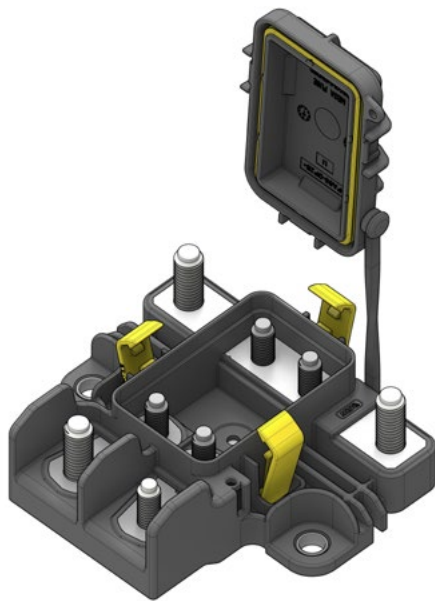


CONNECTIONS AND FIXINGS

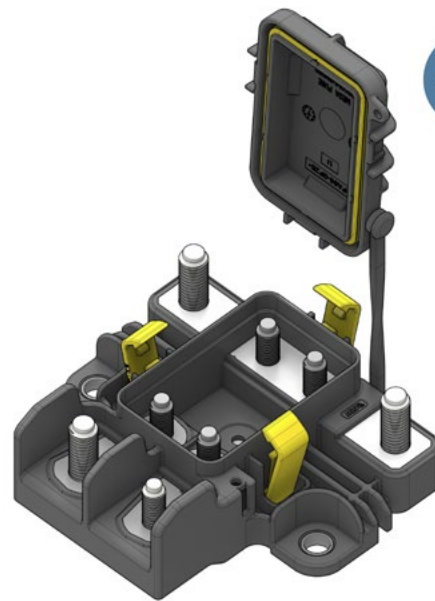


TUBULAR M8

12 V AND 48 V PDU 2M



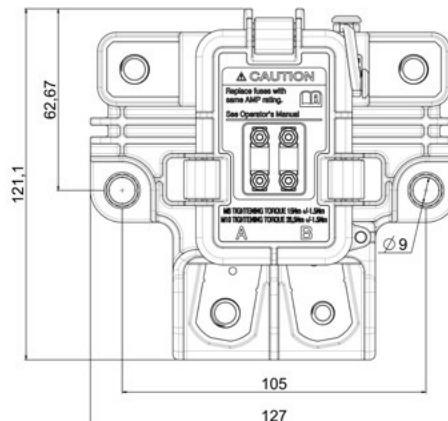
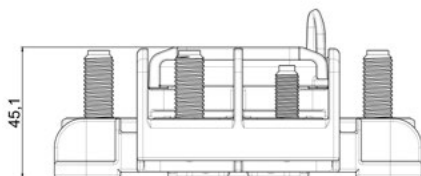
1



48V

2

IMG	DESCRIPTION	P/N	MOQ
1	PRE MOUNTED HOUSING FOR 2 MEGAVAL WITH COVER	0301887	24
2	48 V PRE MOUNTED HOUSING FOR 2 MEGAVAL WITH COVER	0300419	24

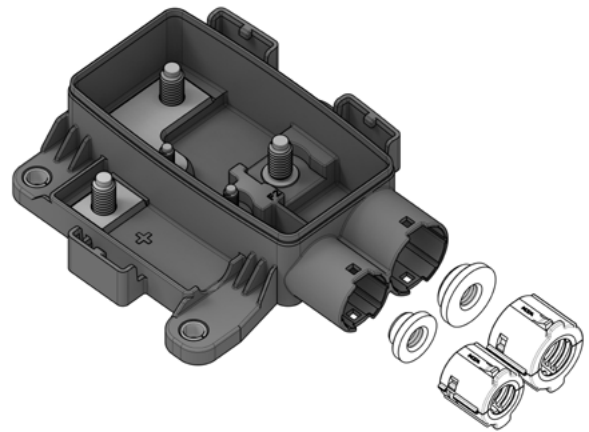
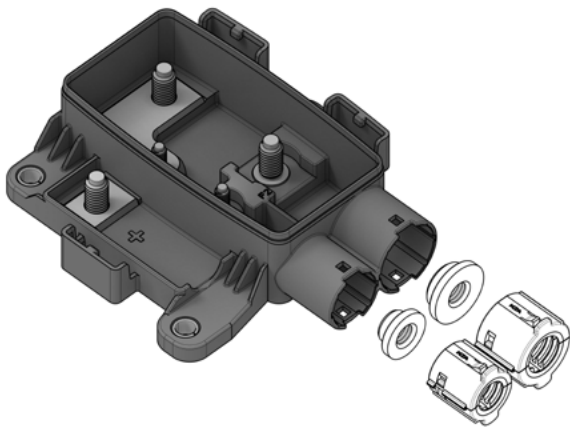
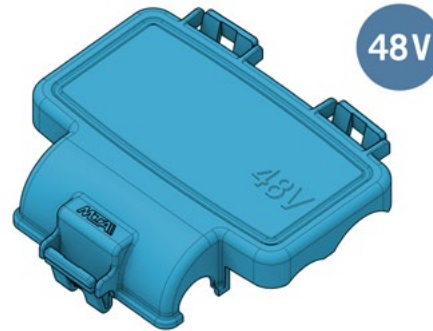
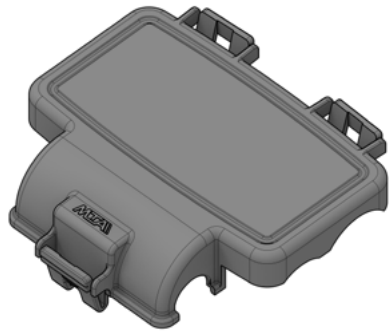


CONNECTIONS AND FIXINGS



TUBULAR

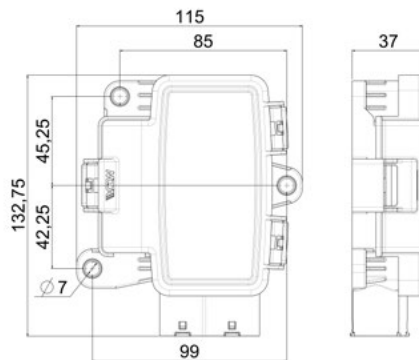
12 V AND 48 V 2-WAY WATERPROOF PDU



1

2

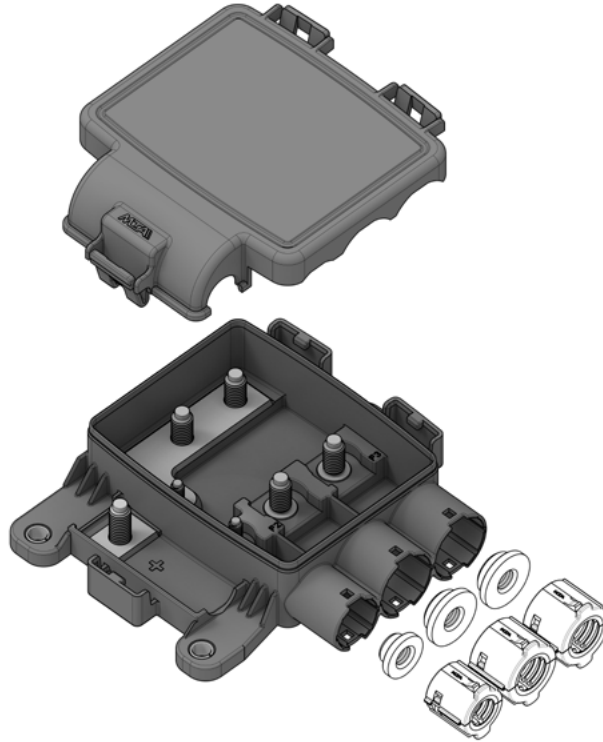
IMG	DESCRIPTION	P/N BULK	MOQ
1	PRE MOUNTED HOUSING FOR 1 MIDIVAL AND 1 MEGAVAL WITH COVER	0301053	32
2	48 V PRE MOUNTED HOUSING FOR 1 MIDIVAL AND 1 MEGAVAL WITH COVER	0300421	24



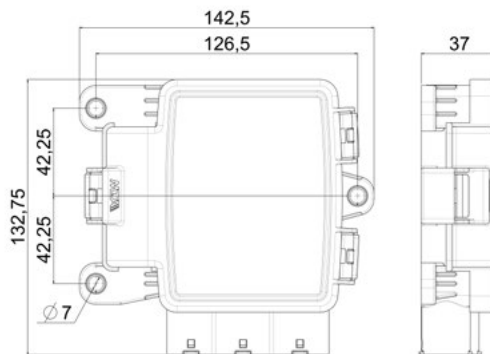
CONNECTIONS AND FIXINGS

IMG	1+2	1+2	1+2	1+2	1+2	1+2
TUBULAR	MIDI M5 POLA	MEGA M8 PDL A	1607510	GASKET	TUBE RETAINER	

3-WAY WATERPROOF PDU



IMG	DESCRIPTION	P/N BULK	MOQ
1	PRE MOUNTED HOUSING FOR 1 MIDIVAL AND 2 MEGAVAL WITH COVER	0301045	24



CONNECTIONS AND FIXINGS



TUBULAR



MIDI M5 POLA



MEGA M8 POL A



1607510



GASKET



TUBE RETAINER

RETAINER & GASKETS



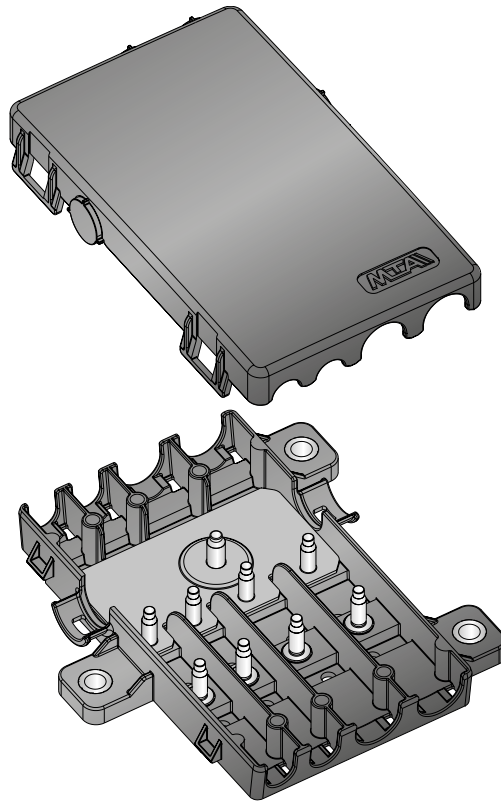
1



2

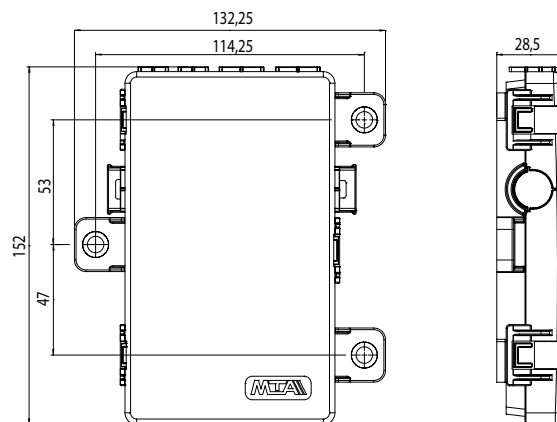
IMG	DESCRIPTION	MATERIAL	COLOUR	D	d	P/N BULK	MOQ	P/N BULK	MOQ
1	TUBE RETAINER	PBT	Black	19,6	6	0300454	200		
	TUBE RETAINER	PBT	Black	19,6	8	0300452	200		
	TUBE RETAINER	PBT	Black	19,6	11,4	0300465	200		
	TUBE RETAINER	PBT	Black	24,6	12,8	0300455	200		
	TUBE RETAINER	PBT	Black	24,6	14,3	0300464	200		
	TUBE RETAINER	PBT	Black	24,6	15,2	0300557	200		
	TUBE RETAINER	PBT	Black	24,6	18,2	0301199	280		
2	GASKET	SILICON	Green	18	2	0300456	200		
	GASKET	SILICON	Blue	18	3,7	0300457	200		
	GASKET	SILICON	Yellow	18	6	0300463	200		
	GASKET	SILICON	Red	18	8	0300458	200		
	CAVITY PLUG	SILICON	Natural	18	-	0350459	200	0300459	5000
	GASKET	SILICON	Yellow	23	8	0300460	200		
	GASKET	SILICON	Green	23	10	0350558	200	0300558	5000
	CAVITY PLUG	SILICON	Natural	23	-	0301204	1000		

4-WAY MIDIVAL®



1

IMG	DESCRIPTION	P/N	MOQ
1	PRE MOUNTED HOUSING FOR 4 MIDIVAL WITH COVER, BUS BAR AND SELF LOCKING NUTS	0300552	1



CONNECTIONS AND FIXINGS

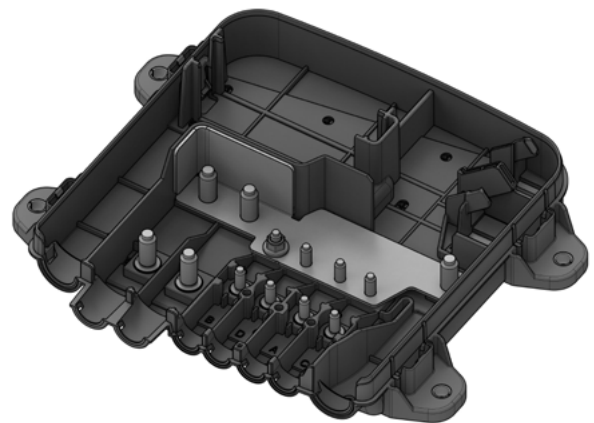
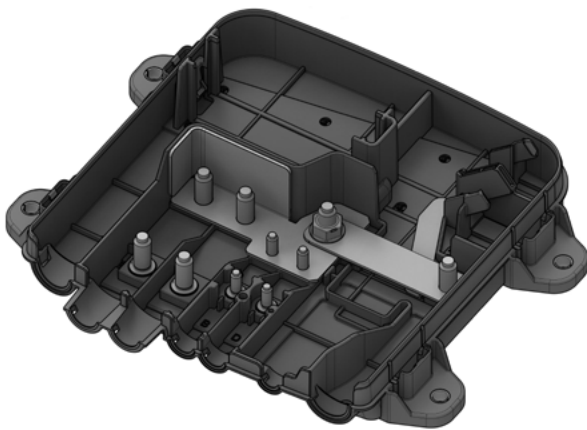
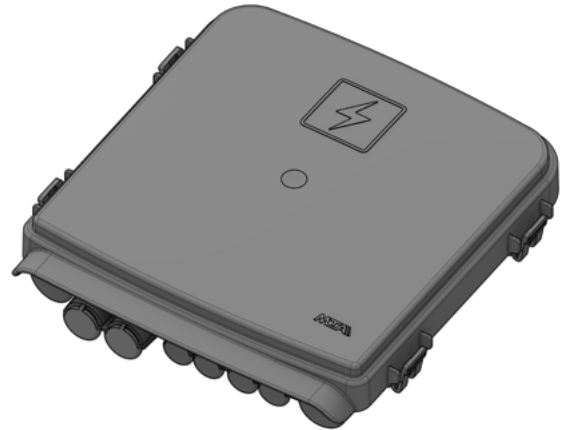
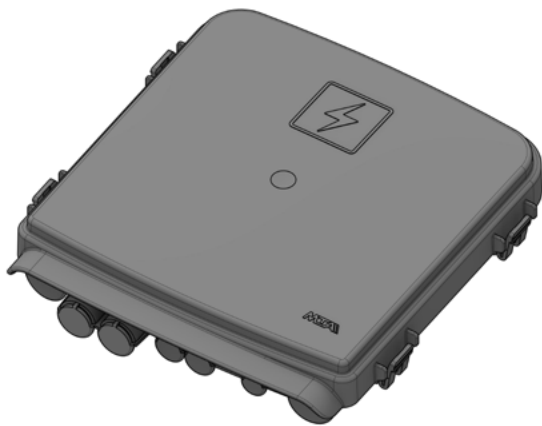


1708250



1708246

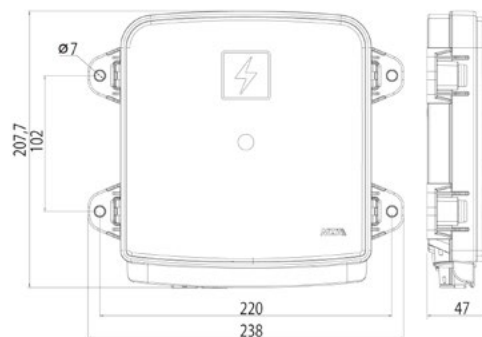
SPLASH PROOF CONFIGURABLE PDU



1

2

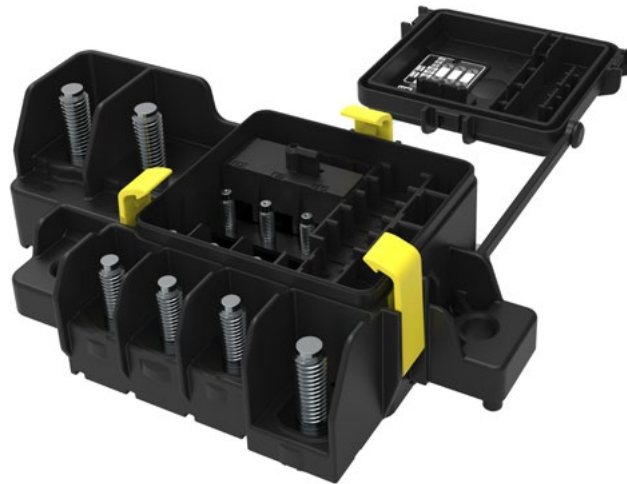
IMG	DESCRIPTION	P/N	MOQ
1	PRE MOUNTED HOUSING FOR 2 MEGA/POWERVAL + 2 MIDIVAL W/ COVER AND BUS BAR. CAN ACCOMODATE ELECTRONIC BDS	0301865	1
2	PRE MOUNTED HOUSING FOR 4 MIDIVAL + 2 MEGAVAL + 5 MINIVAL WITH COVER AND BUS BAR	0301873	1



CONNECTIONS AND FIXINGS

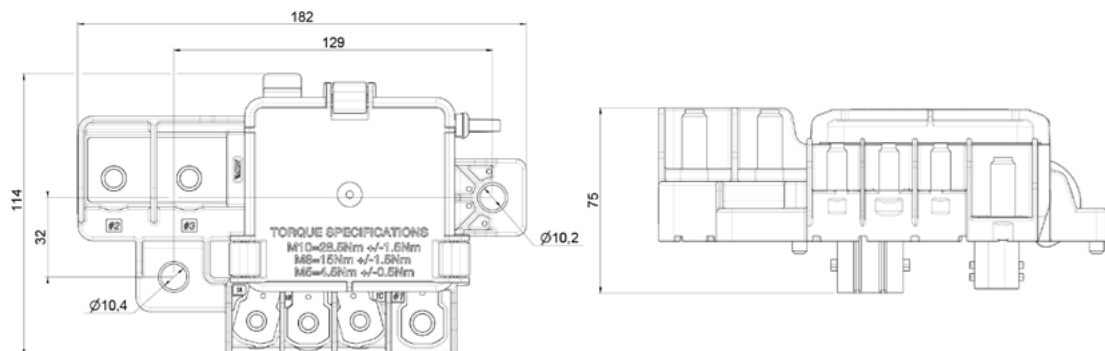
IMG	1+2	2	1+2	1+2	1+2	1+2
	MIDI POL A,B	MIDI POL A,B,C,D	TUBULAR M8	MODULES	SML	F280

MEC 25

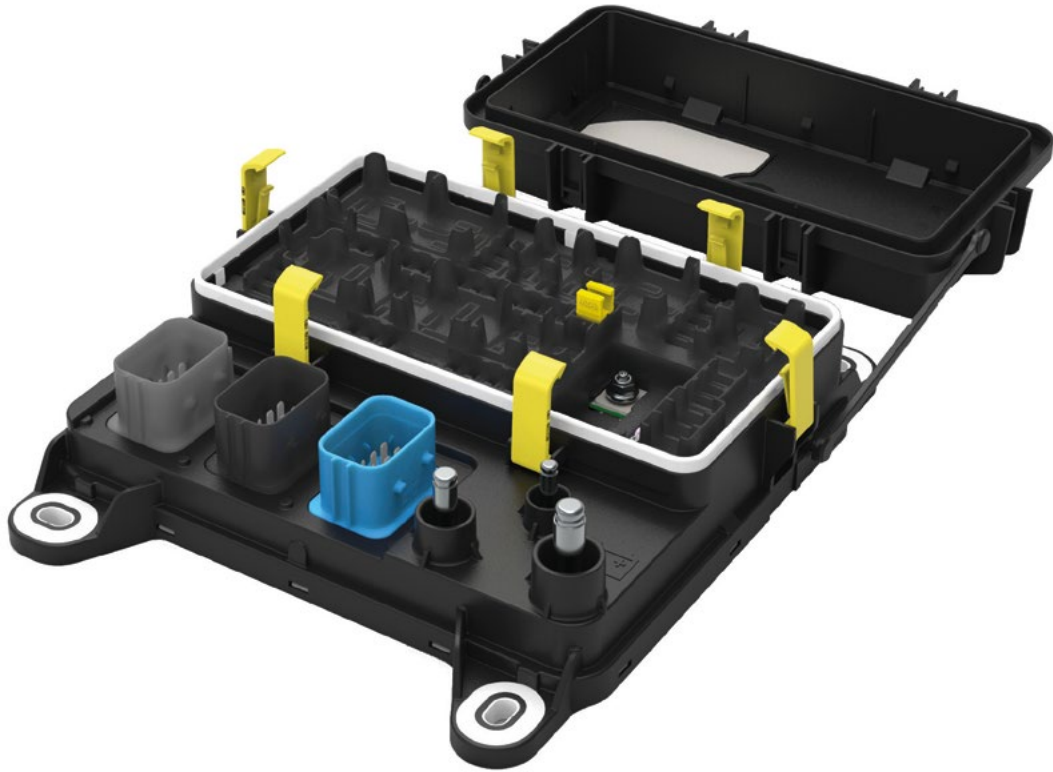


1

IMG	DESCRIPTION	P/N	MOQ
1	CONFIGURABLE POWER DISTRIBUTION UNIT WITH PRESS FIT TECHNOLOGY	0301452	12

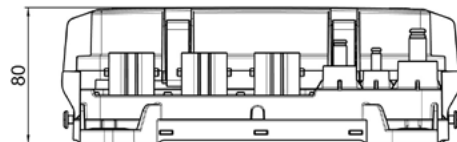
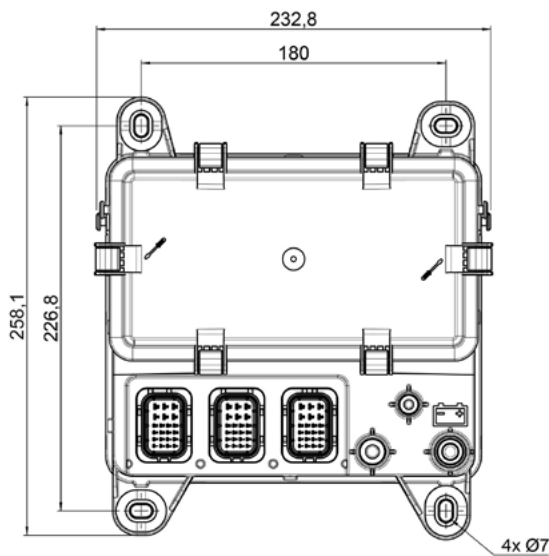


MEC 97

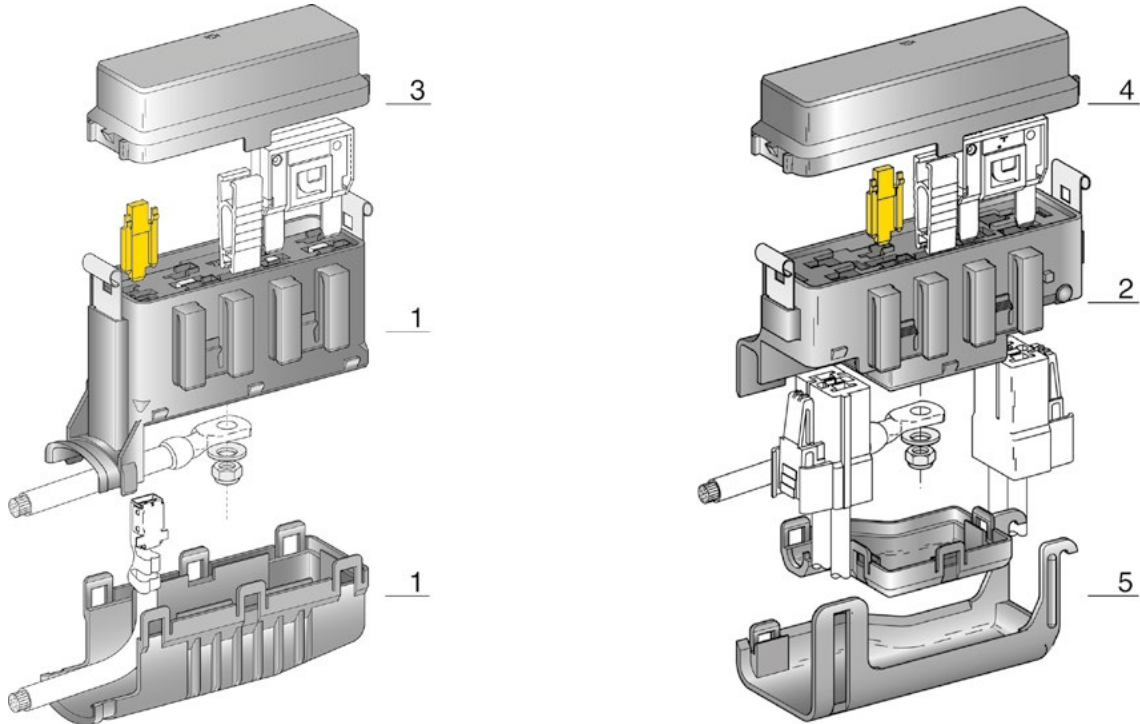


1

IMG	DESCRIPTION	P/N BULK	MOQ
1	CONFIGURABLE POWER DISTRIBUTION UNIT WITH PRESS FIT TECHNOLOGY	0301163	8



LINK BOX



IMG	DESCRIPTION	WAY	MATERIAL	COLOUR	P/N KIT		MOQ	P/N BULK	MOQ
1	HOUSING + BOTTOM COVER+ S.LOCK + NUTS	4	PA66 GF25 PA66	■ Black	0100500	WITH COVER	1	0300500	100
2	HOUSING + BOTTOM COVER+ S.LOCK + NUTS	4	PA66 GF25 PA66	■ Black	0100800	WITH COVER AND TERMINALS	1	0300800	120
3	UPPER COVER WITH GASKET		PA66 GF25	■ Black				0300950	160
4	UPPER COVER WITH GASKET		PA66 GF25	■ Black				0300850	120
5	WIRE'S COVER		PA66	■ Black				0300849	400

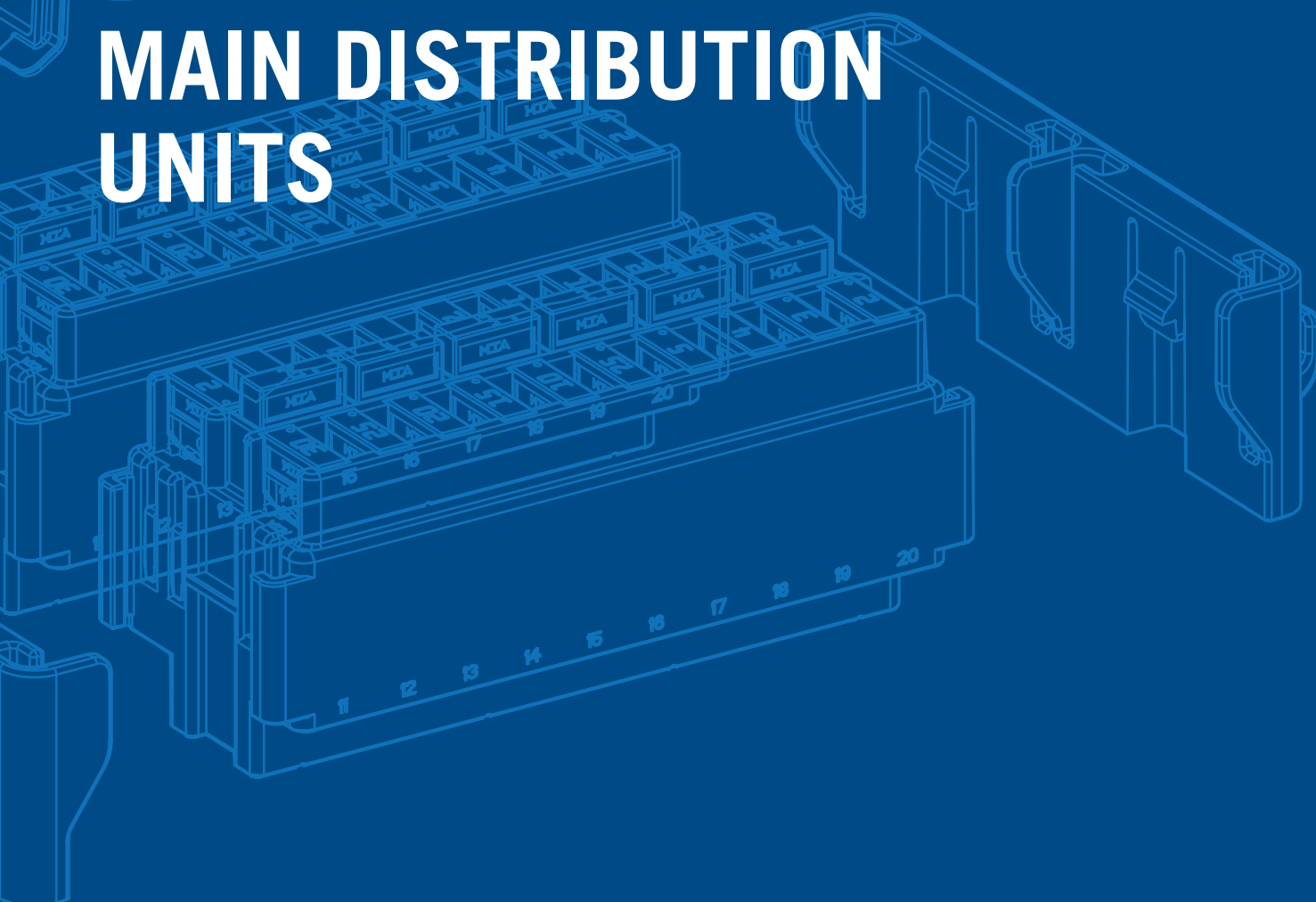


CONNECTIONS AND FIXINGS

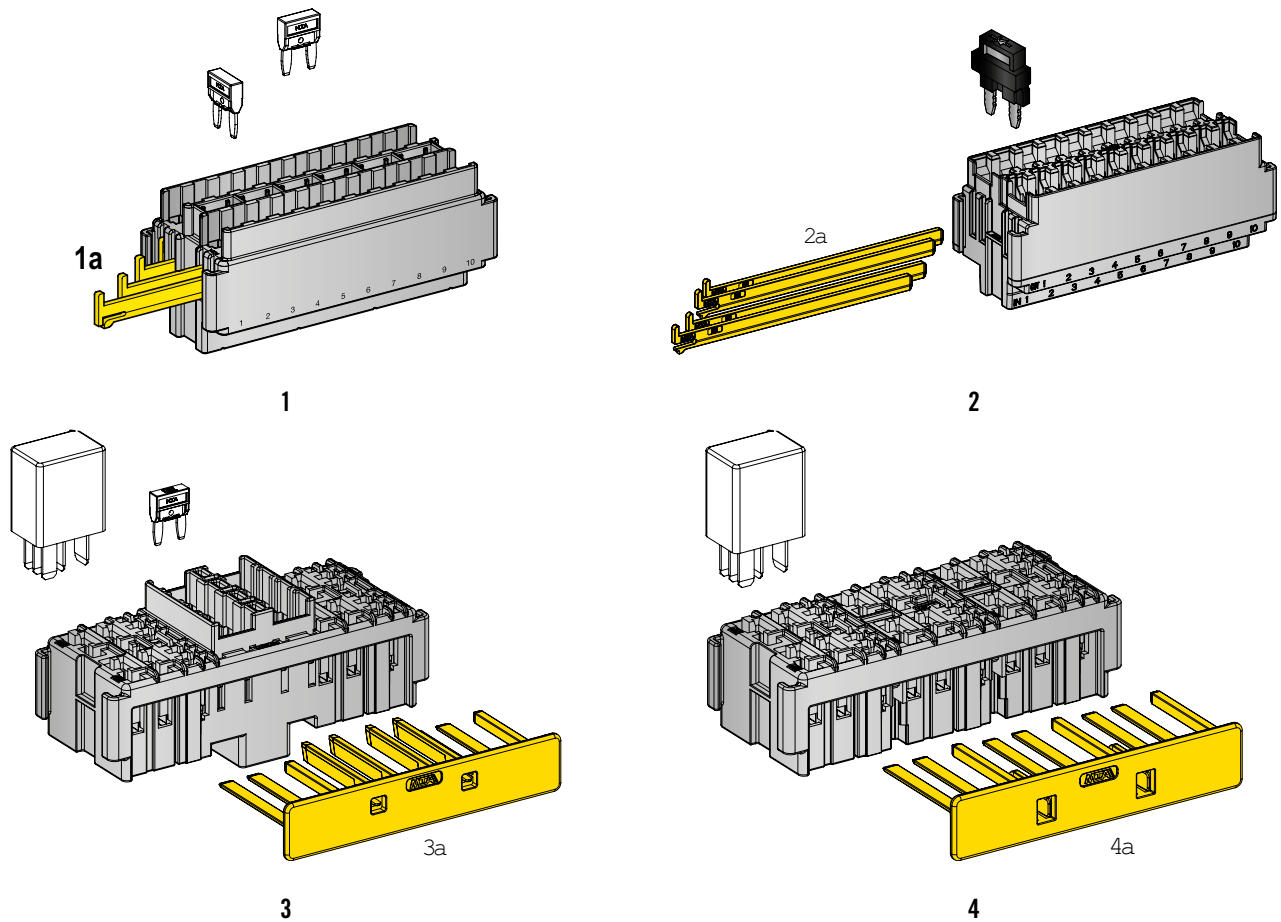
IMG	1+2	1	1+2	1+2	2	2	2	1+2
	0300949	0300690	0300691	F800	1605000	4540315	4540345	4545100



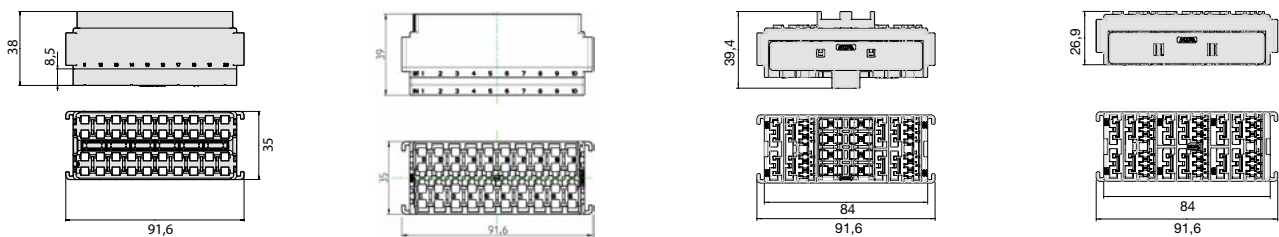
MAIN DISTRIBUTION UNITS



MODULES



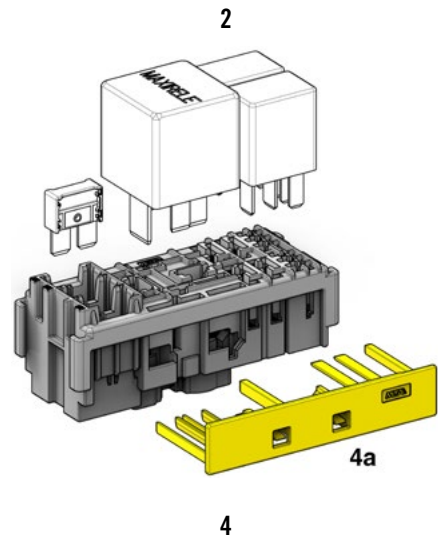
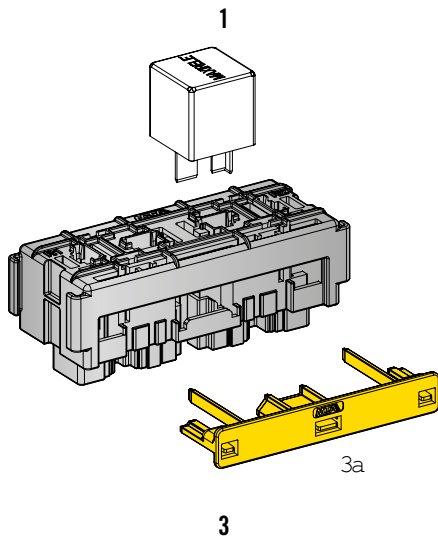
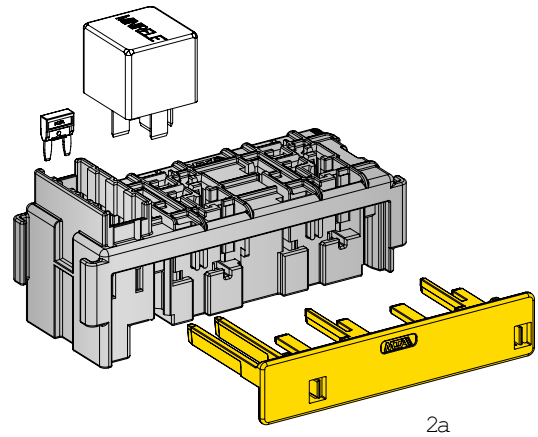
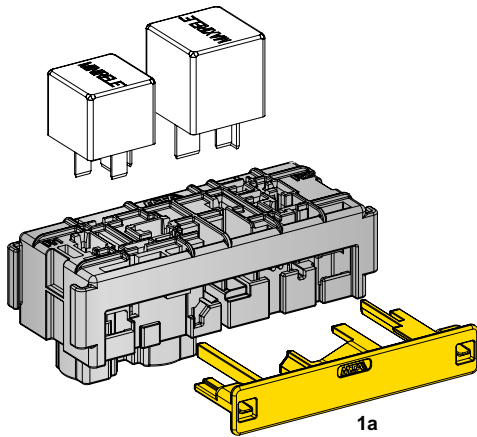
IMG	DESCRIPTION	WAY	MATERIAL	COLOUR	P/N BOX WITH S.LOCK	MOQ	P/N BULK	MOQ
1	MINIVAL MODULE	20	PA66 MD25	Grey	0101460	1	0301460	250
1a	SECONDARY LOCK		PA66	Yellow			0300793	7000
2	DIODES/MINIVAL MODULE	20	PA66 MD25	Grey	0101640	1	0301640	230
2a	SECONDARY LOCK		PA66	Yellow			0300793	7000
3	MINIVAL/MICRORELAY MODULE	8 + 4	PA66 MD25	Grey	0101564	1	0301564	132
3a	SECONDARY LOCK		PA66 GF 13	Yellow			0301566	400
4	MICRORELAY MODULE	6	PA66 MD25	Grey	0101484	1	0301484	198
4a	SECONDARY LOCK		PA66 GF 13	Yellow			0301486	400



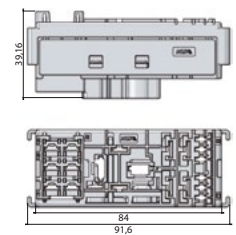
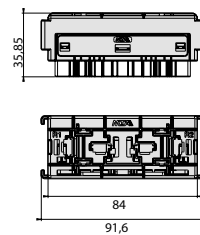
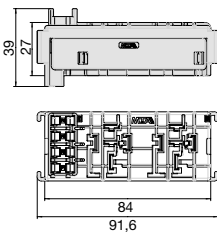
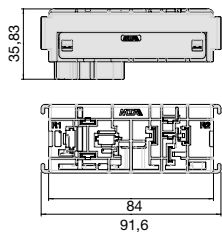
CONNECTIONS AND FIXINGS

IMG	1+2+3	1+2+3	3+4	3+4	3+4	3+4
	F280	F280 BUS-BAR	F480E	F630E	0301630	0301376

MODULES



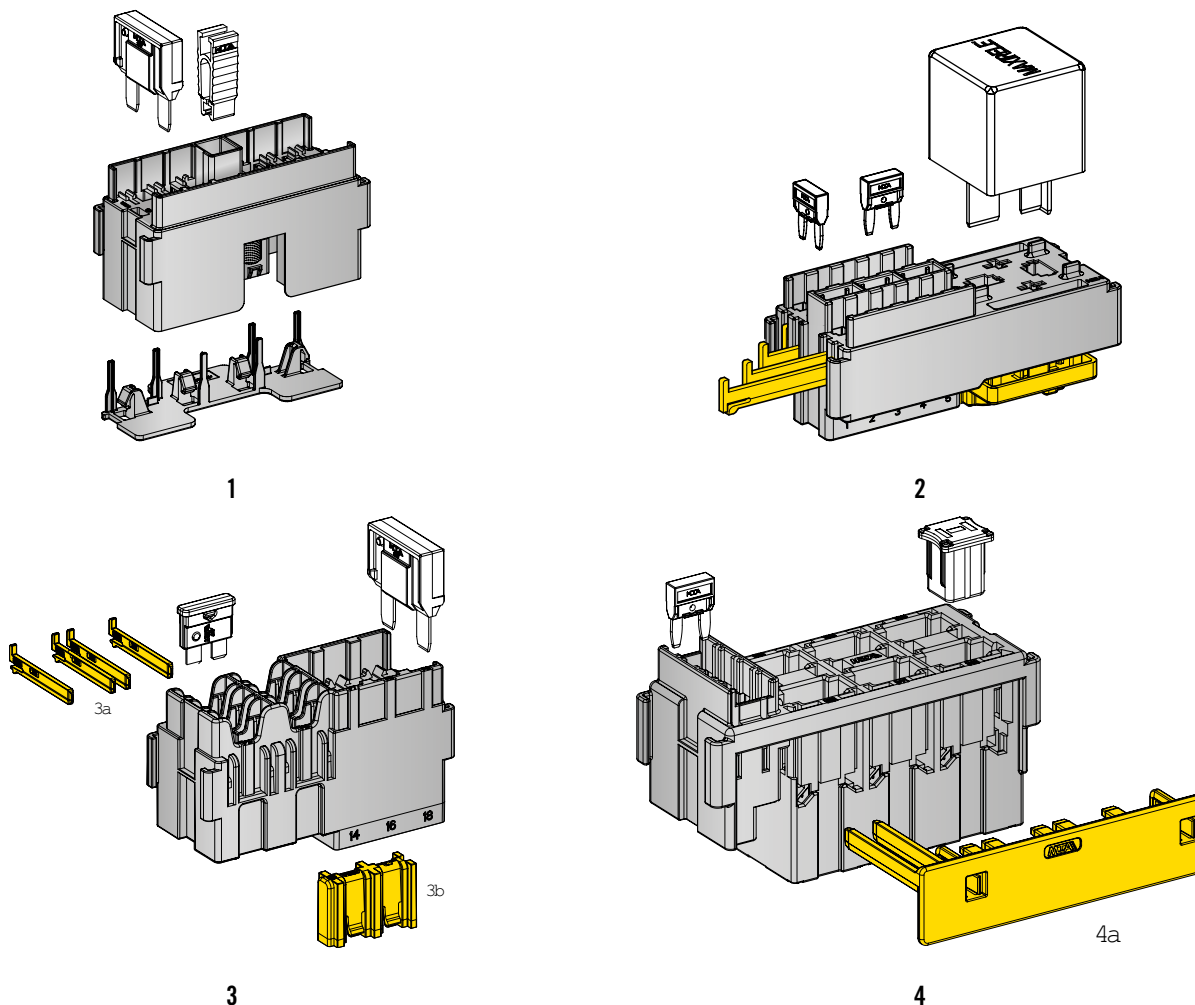
IMG	DESCRIPTION	WAY	MATERIAL	COLOUR	P/N BOX WITH S.LOCK	MOQ	P/N BULK	MOQ
1	MINI/MAXI RELAY MODULE	1 + 1	PA66 MD25	Grey	0101494	1	0301494	132
1a	SECONDARY LOCK		PA66 GF 13	Yellow			0301496	600
2	MINIVAL/MINIRELAY MODULE	4 + 2	PA66 MD25	Grey	0101504	1	0301504	132
2a	SECONDARY LOCK		PA66 GF 13	Yellow			0301506	400
3	MAXIRELAY MODULE	2	PA66 MD25	Grey	0101660	1	0301660	132
3a	SECONDARY LOCK		PA66 GF 13	Yellow			0301661	600
4	MAXICOMPACT/MAXI/MICRO RELAY MODULE	3 + 1 + 2	PA66 MD25	Grey	0101695	1	0301695	132
4a	SECONDARY LOCK		PA66 GF 13	Yellow			0301696	400



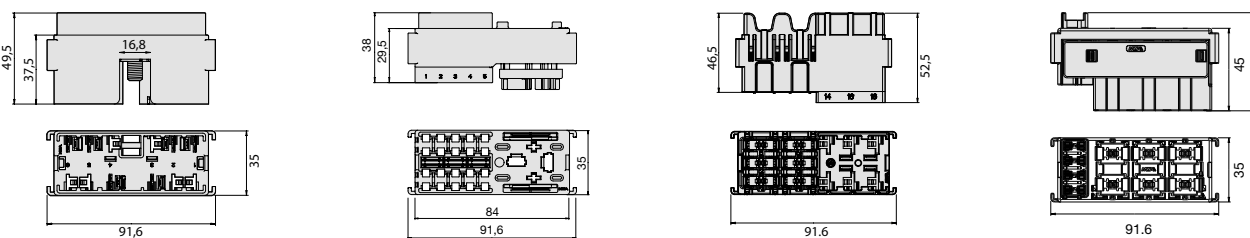
CONNECTIONS AND FIXINGS

IMG	1+3+4	1+2+3+4	2	2	4	1+2+3+4	1+2+3+4
	F950	F630E	F280	F280 BUS-BAR	F480E	0301630	0301376

MODULES



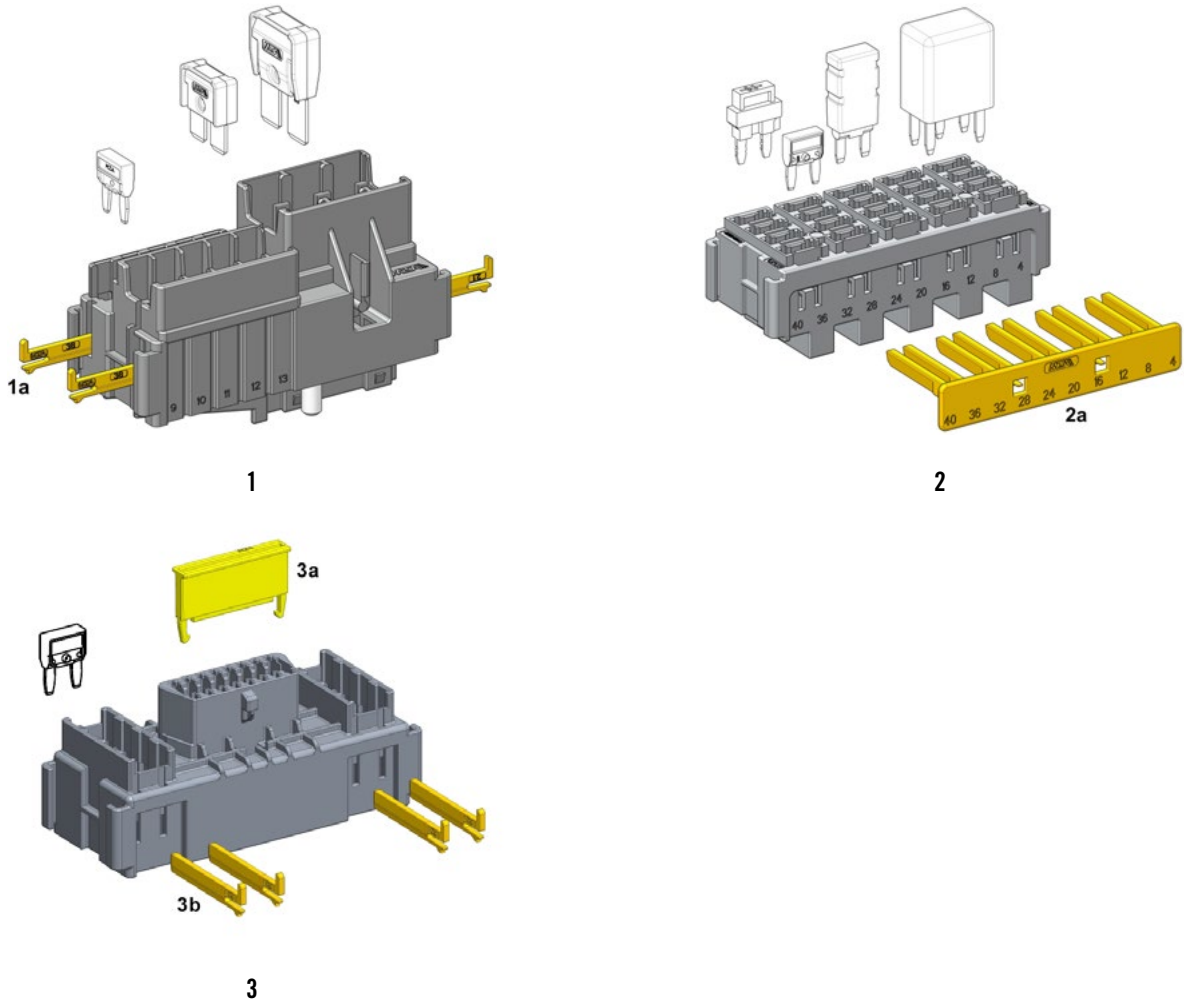
IMG	DESCRIPTION	WAY	MATERIAL	COLOUR	P/N BOX WITH S.LOCK	MOQ	P/N BULK	MOQ
1	MAXIVAL MODULE	6	PBT GF20	Grey	0101470	1	0301470	162
2	MINIVAL/MAXIRELAY MODULE	10 + 1	PA66 MD25	Grey	0101510	1	0301510	200
3	MAXIVAL/UNIVAL MODULE	3 + 6	PA66 MD25	Grey	0101600	1	0301600	100
3a	SECONDARY LOCK FOR UNIVAL		PA66	Yellow			0301601	6000
3b	SECONDARY LOCK FOR MAXIVAL		PA66	Yellow			0301602	1700
4	MINIVAL/TYPER A1S MODULE	4 + 6	PA66 MD25	Grey	0101690	1	0301690	99
4a	SECONDARY LOCK		PA66 GF13	Yellow			0301691	300



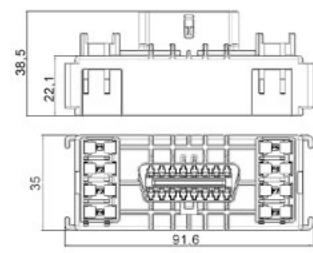
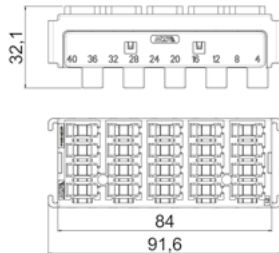
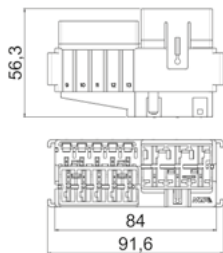
CONNECTIONS AND FIXINGS

IMG	1+3	2	2	2+4	2+4	3	3	4	2	2
	F800	SPT	F950	F280	F280 BUS-BAR	UNI F630	UNI F630 BUS BAR	M630	0301630	0301376

MODULES



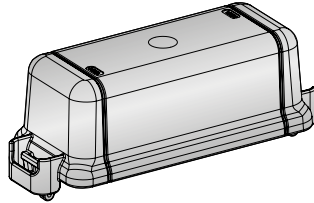
IMG	DESCRIPTION	WAY	MATERIAL	COLOUR	P/N BOX WITH S.LOCK	MOQ	P/N BULK	MOQ
1	MINIVAL/MAXICOMPACT/M8COMPACT MODULE	5 + 5 + 3	PA66 MD25	Grey	0101697	1	0301697	162
1a	SECONDARY LOCK		PA 66	Yellow			0300564	486
2	MINIVAL/CIRCUIT BRAKERS/DIODES MODULE MICRO 280 RELAYS MODULE	20 6	PA66 MD25	Grey	0101698	1	0301698	160
2a	SECONDARY LOCK		PA66 GF13	Yellow			0301699	320
3	MINIVAL/OBD MODULE	8 + 1	PA66 GF30	Grey	0101375	1	0301375	96
3a	SECONDARY LOCK FOR OBD CONNECTOR		PA 66	Yellow			0300791	5000
3b	SECONDARY LOCK FOR MINIVAL		PA 66	Yellow			0301601	6000



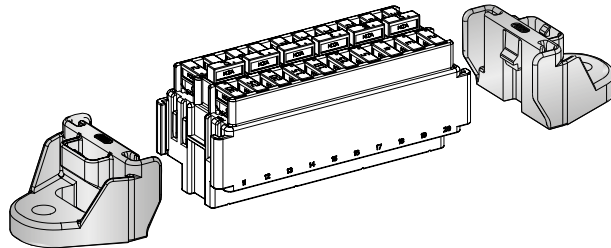
CONNECTIONS AND FIXINGS

IMG	1+2+3	2	1	1	2	2	2
F280	F280 BUS-BAR	F630E	F800 WITH CLIP	0301630	0301376	0301237	

FRAMES, BRACKETS & COVERS

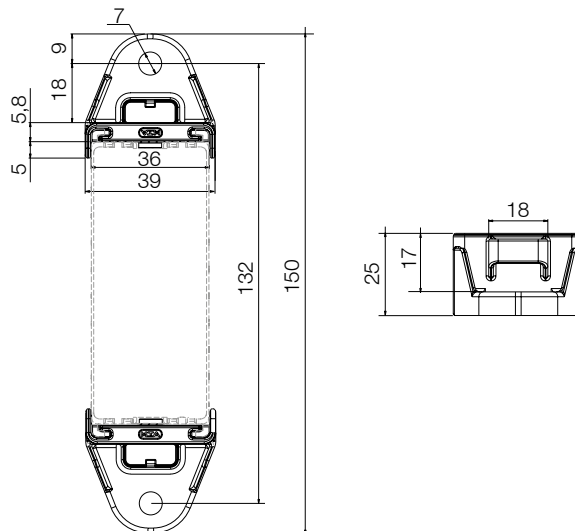


1

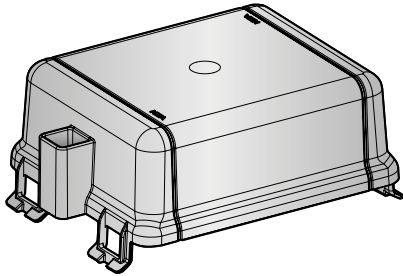


2

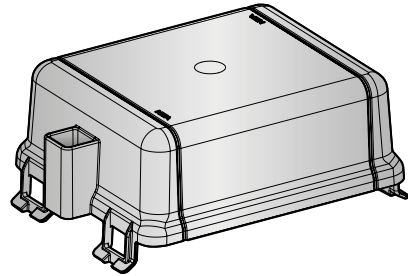
IMG	DESCRIPTION	WAY	MATERIAL	COLOUR	P/N BOX	MOQ	P/N BULK	MOQ
1	COVER	1	PP GF30	Grey	0101590	1	0301590	150
2	BRACKET	1	PP GF30	Grey	0101580	2	0301580	500



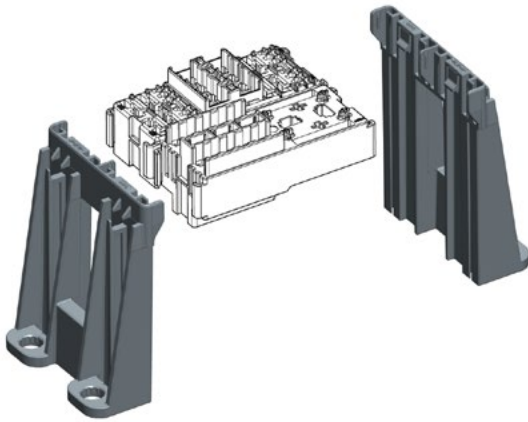
FRAMES, BRACKETS & COVERS



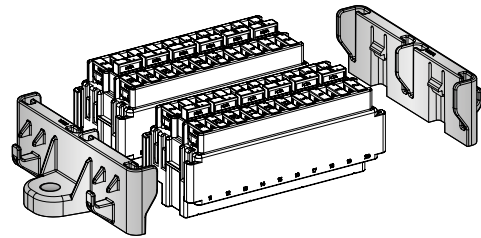
1



1

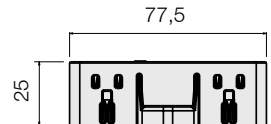
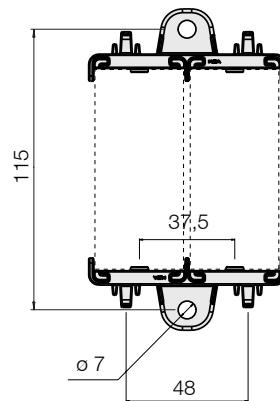
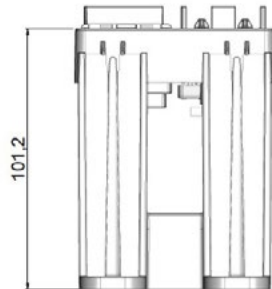
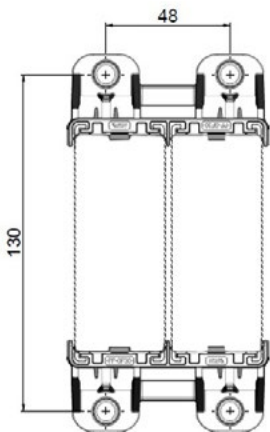


2

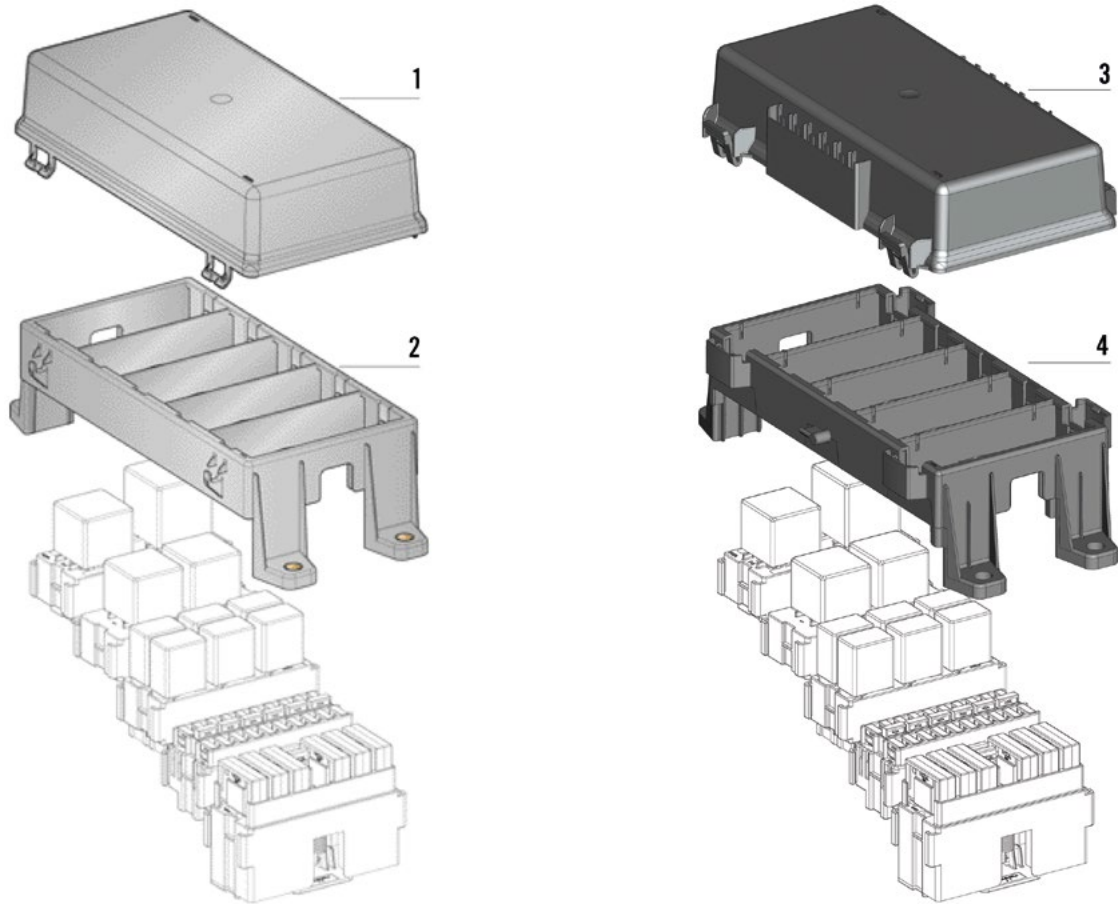


3

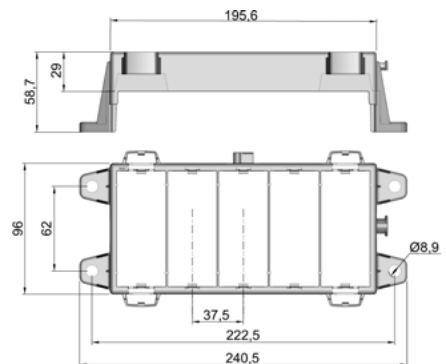
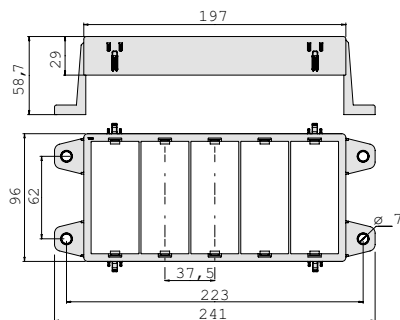
IMG	DESCRIPTION	WAY	MATERIAL	COLOUR	P/N BOX	MOQ	P/N BULK	MOQ
1	COVER	2	PP GF30	Grey	0101550	1	0301550	200
2	BRACKET	2	PP GF30	Grey	0101180	2	0301180	130
3	BRACKET	2	PP GF30	Grey	0100699	2	0300699	400



FRAMES, BRACKETS & COVERS



IMG	DESCRIPTION	WAY	MATERIAL	COLOUR	P/N BOX	MOQ	P/N BULK	MOQ
1	COVER	5	PP GF30	Grey	0101540	3	0301540	48
2	FRAME	5	PP GF30	Grey	0101450	3	0301450	85
3	COVER	5	PP GF30	Grey	0101707	3	0301707	50
4	FRAME	5	PP GF30	Grey	0101706	3	0301706	50

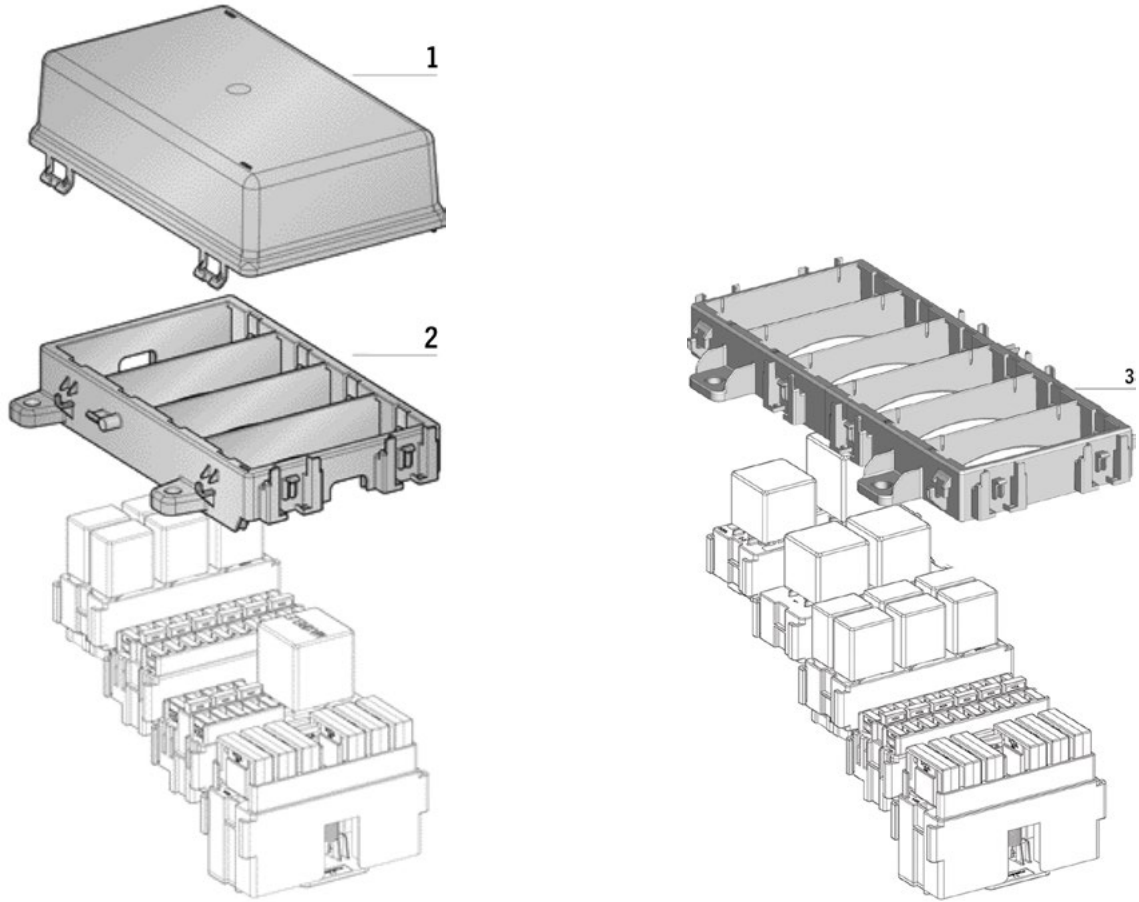


CONNECTIONS AND FIXINGS

IMG	2+4	2+4	2+4
	0301630	0301376	0301237

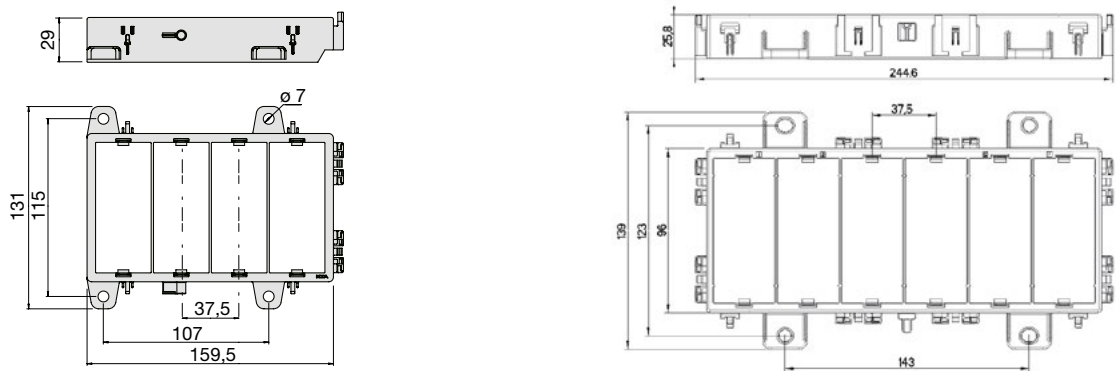
NOTE FOR 0301706
 RETAINERS FOR 5-WAY FRAME 0301706
 ARE ONLY FOR POSITIONS 2, 3, 4

FRAMES, BRACKETS & COVERS



IMG	DESCRIPTION	WAY	MATERIAL	COLOUR	P/N BOX	MOQ	P/N BULK	MOQ
1	COVER	4	PP GF30	Grey	0101530	3	0301530	63
2	FRAME	4	PP GF30	Grey	0101520	3	0301520	63
3	FRAME	6	PP GF30	Grey			0301608	TBD

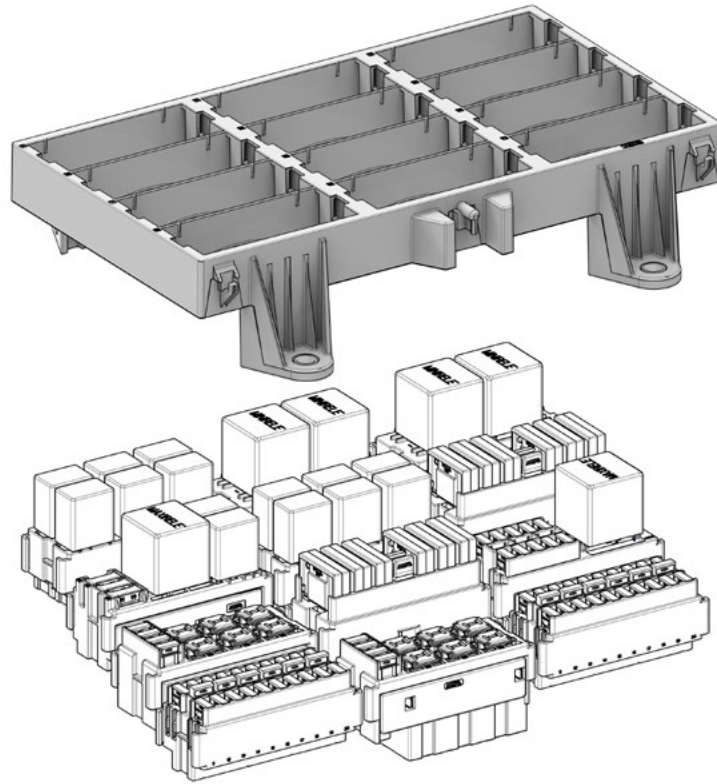
NEW



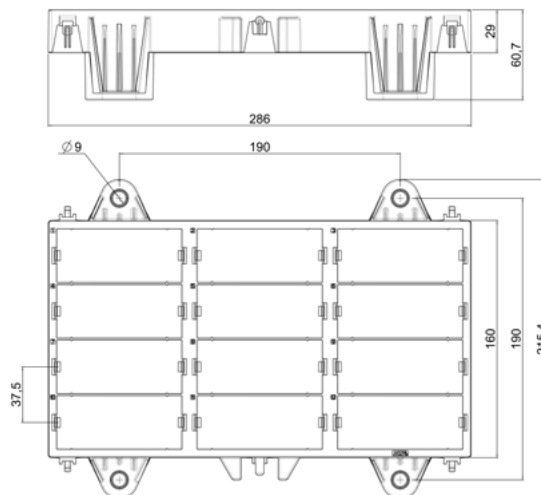
CONNECTIONS AND FIXINGS

IMG	2 + 3	2 + 3	2 + 3
	0301630	0301376	0301237

FRAMES, BRACKETS & COVERS



IMG	DESCRIPTION	WAY	MATERIAL	COLOUR	P/N BULK	MOQ
1	FRAME	12	PP GF30	Grey	0301682	25



CONNECTIONS AND FIXINGS

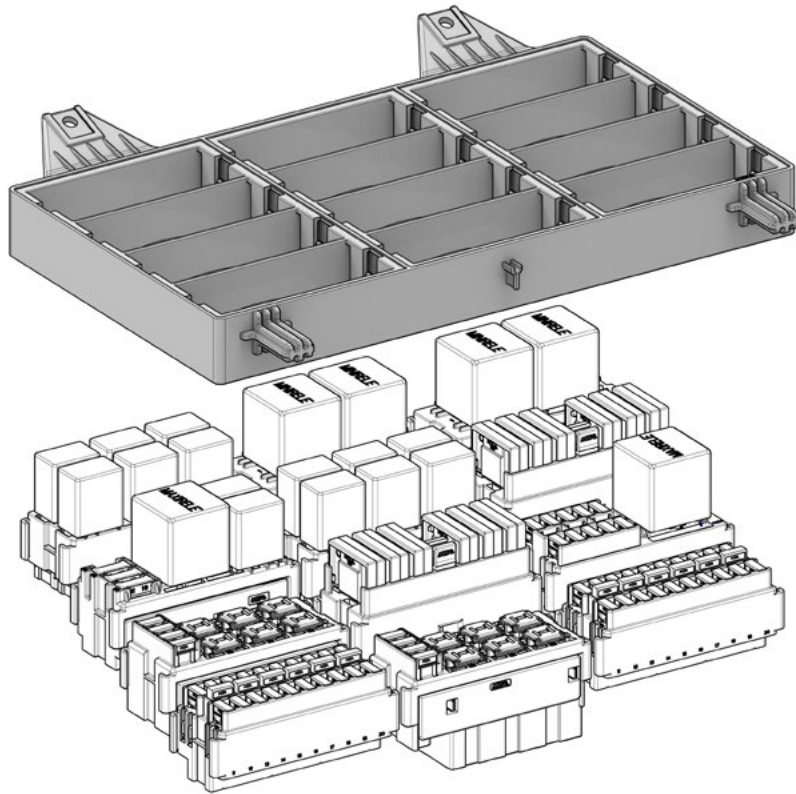


0301376

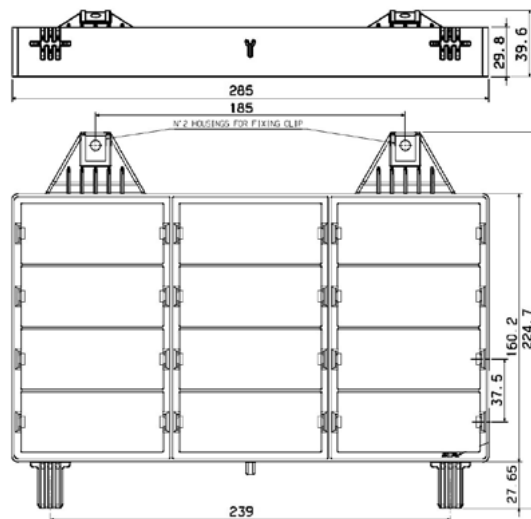


0301237

FRAMES, BRACKETS & COVERS



IMG	DESCRIPTION	WAY	MATERIAL	COLOUR	P/N BULK	MOQ
1	FRAME	12	PP GF30	Grey	0301680	104



CONNECTIONS AND FIXINGS

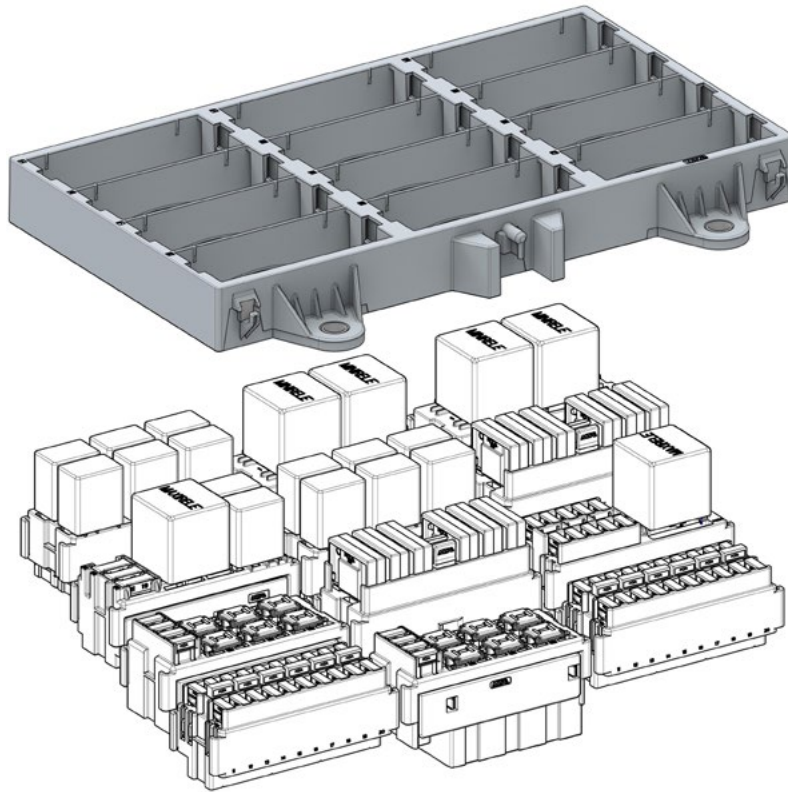


0301376

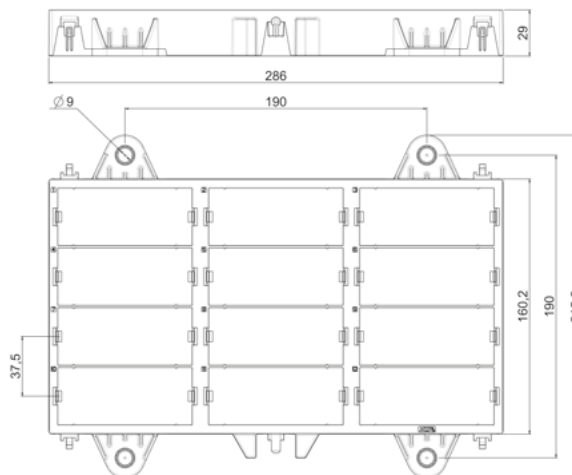


0301237

FRAMES, BRACKETS & COVERS



IMG	DESCRIPTION	WAY	MATERIAL	COLOUR	P/N BULK	MOQ
1	FRAME	12	PP GF30	Grey	0301681	30



CONNECTIONS AND FIXINGS

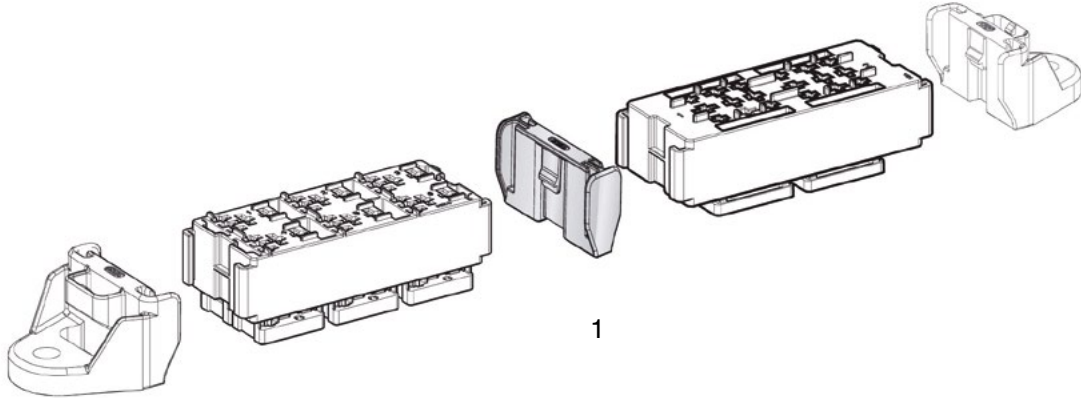


0301376

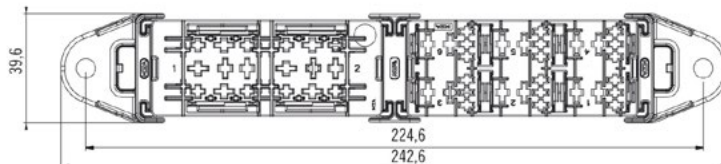


0301237

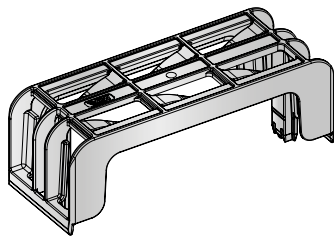
FRAMES, BRACKETS & COVERS



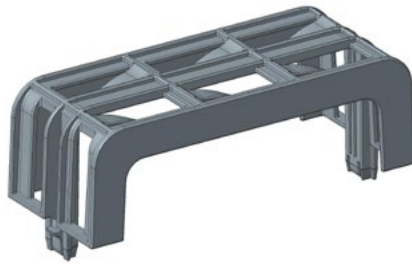
IMG	DESCRIPTION	WAY	MATERIAL	COLOUR	P/N BULK	MOQ
1	BRACKET	1	PP GF30	Grey	0301620	250



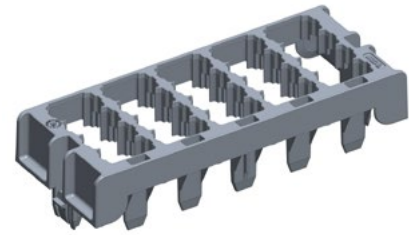
FRAMES, BRACKETS & COVERS



1

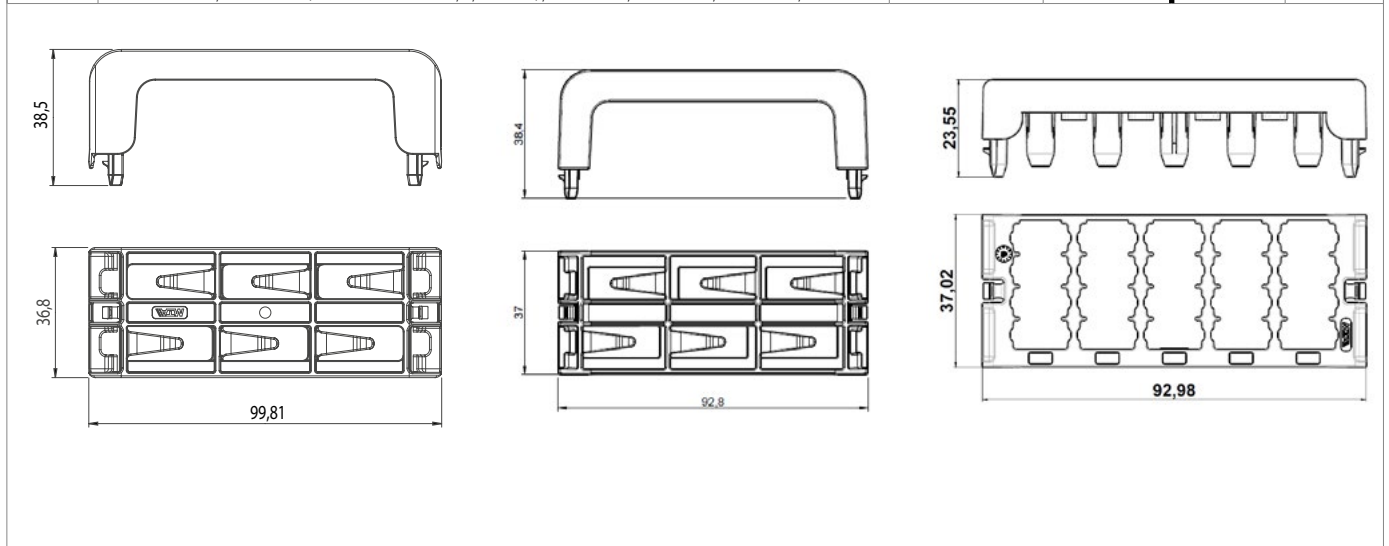


2

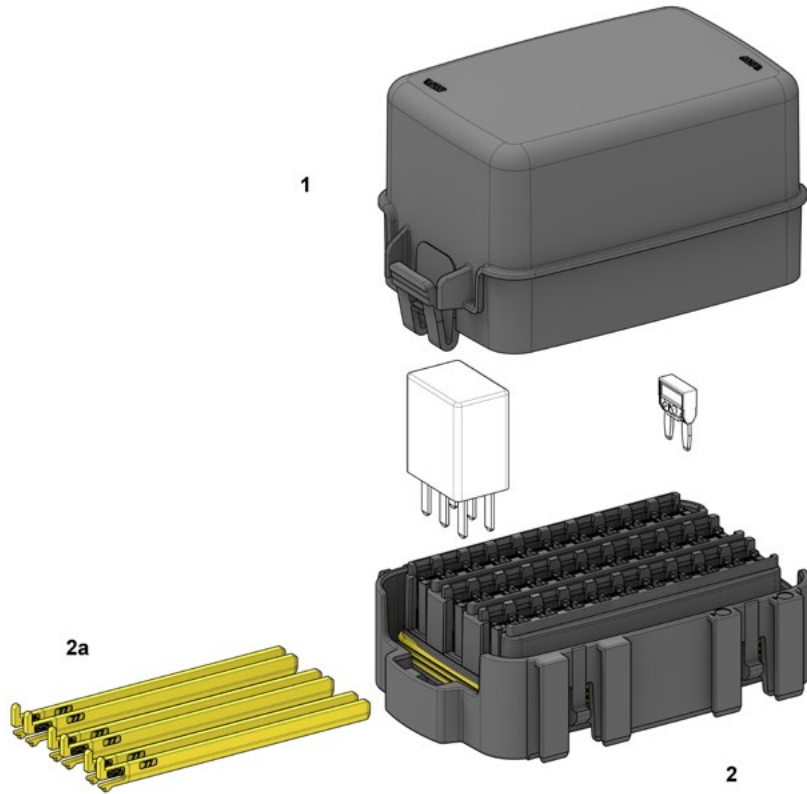


3

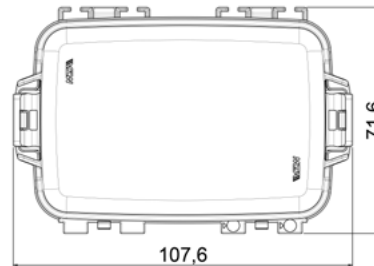
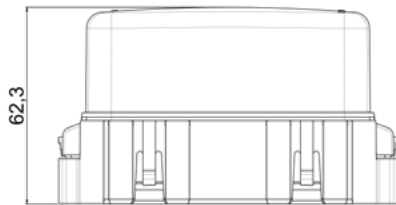
IMG	DESCRIPTION	MATERIAL	COLOUR	P/N BULK	MOQ
1	RELAY RETAINER FOR 0301450, 0301706 (FOR POSITIONS 2,3,4 ONLY), 0301520	PA66 - GF13	Grey	0301630	350
2	RELAY RETAINER FOR 0301450, 0301706 (FOR POSITIONS 2,3,4 ONLY), 0301520, 0301682, 0301680, 0301681	PA66 - GF13	Grey	0301376	120
3	CIRCUIT BREAKER GUIDE FOR 0301450, 0301706 (FOR POSITIONS 2,3,4 ONLY), 0301520, 0301682, 0301680, 0301681	PA66 - GF30	Grey	0301237	210



FOOTPRINT WATERPROOF MODULE



IMG	DESCRIPTION	MATERIAL	COLOUR	P/N BOX WITH S.LOCK	MOQ	P/N BULK	MOQ
1	COVER	PA66 GF30	■ Black	0101371	1	0301371	100
2	30 MINIVAL or 10 MICRORELAY WP FOOTPRINT MODULE	PA66 MD25	■ Black	0101370	1	0301370	60
2a	SECONDARY LOCK	PA 66	■ Yellow			0301372	1500



CONNECTIONS AND FIXINGS



F280 WP



GASKETS FOR F280 WP



PLUG FOR F280 WP

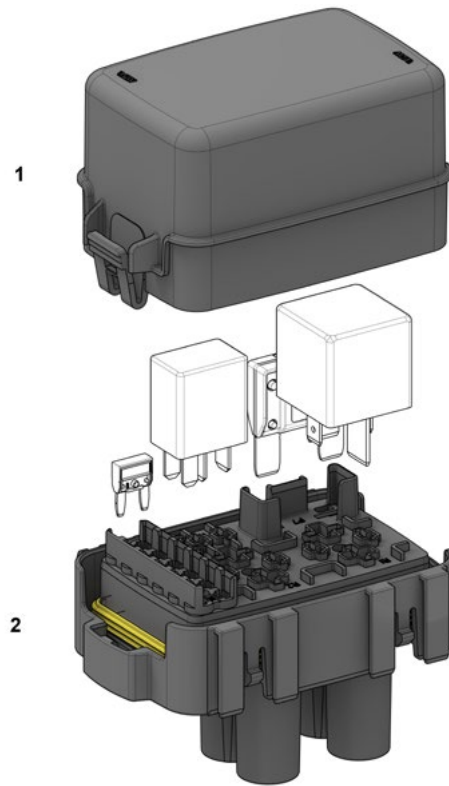


0300690

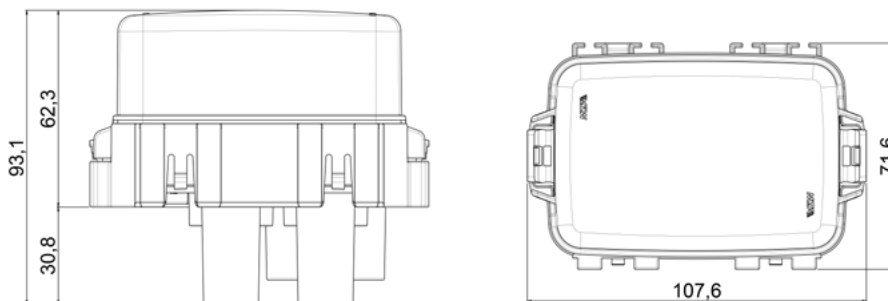


0300691

MINI/MAXIVAL - MAXI/MICRO RELAY WP MODULE



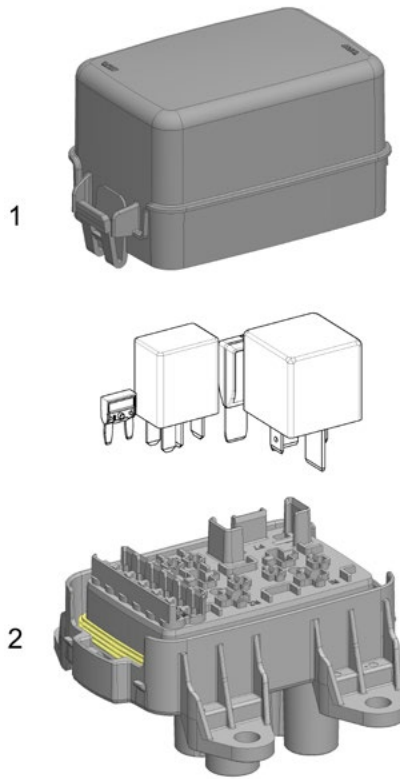
IMG	DESCRIPTION	MATERIAL	COLOUR	P/N BOX	MOQ	P/N BULK	MOQ
1	COVER	PA66 GF30	■ Black	0101371	1	0301371	100
2	6 MINIVAL + 1 MAXIVAL + 2 MAXIRELAY + 1 MICRORELAY MODULE	PA66 MD25	■ Black	0101491	1	0301491	60



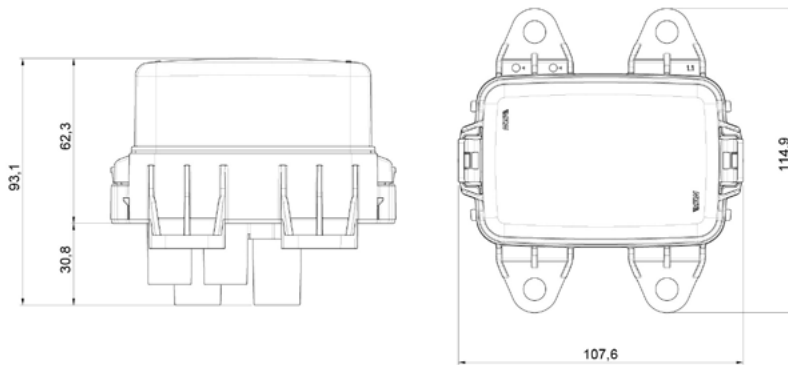
CONNECTIONS AND FIXINGS

F280 WP WITH GASKETS/PLUG	F800 WP WITH GASKETS/PLUG	JPT WP	SPT WP	MPT WP	4551903 FOR MPT WP	4423721 FOR MPT WP	0300690	0300691

MINI/MAXIVAL - MAXI/MICRO RELAY WP MODULE



IMG	DESCRIPTION	MATERIAL	COLOUR	P/N BULK	MOQ
1	COVER	PA66 GF30	■ Black	0101377	100
2	6 MINIVAL + 1 MAXIVAL + 2 MAXIRELAY + 1 MICRORELAY MODULE WITH MOUNTING BRACKETS	PA66 MD25	■ Black	0301407	TBD



CONNECTIONS AND FIXINGS



F280 WP WITH GASKETS/PLUG



F800 WP WITH GASKETS/PLUG



JPT WP



SPT WP



MPT WP

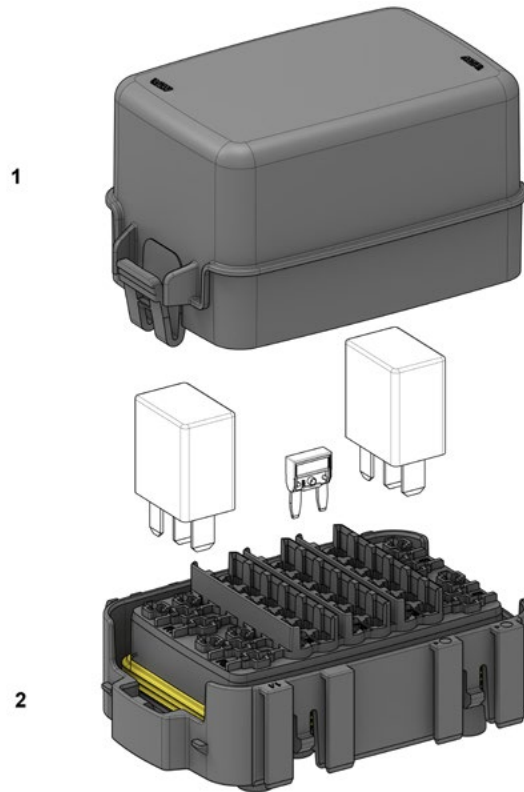


4551903 FOR MPT WP

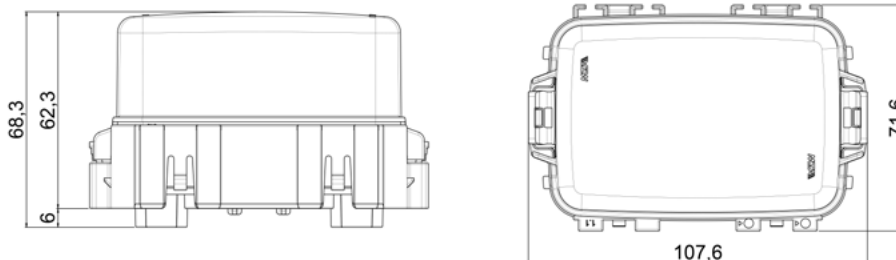


4423721 FOR MPT WP

MINIVAL - MICRO RELAY WP MODULE



IMG	DESCRIPTION	MATERIAL	COLOUR	P/N BOX	MOQ	P/N BULK	MOQ
1	COVER	PA66 GF30	■ Black	0101371	1	0301371	100
2	18 MINIVAL + 4 MICRORELAY MODULE	PA66 MD25	■ Black	0101568	1	0301568	48



CONNECTIONS AND FIXINGS



F280 WP



GASKETS FOR F280 WP



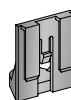
PLUG FOR F280 WP



JPT WP



SPT WP

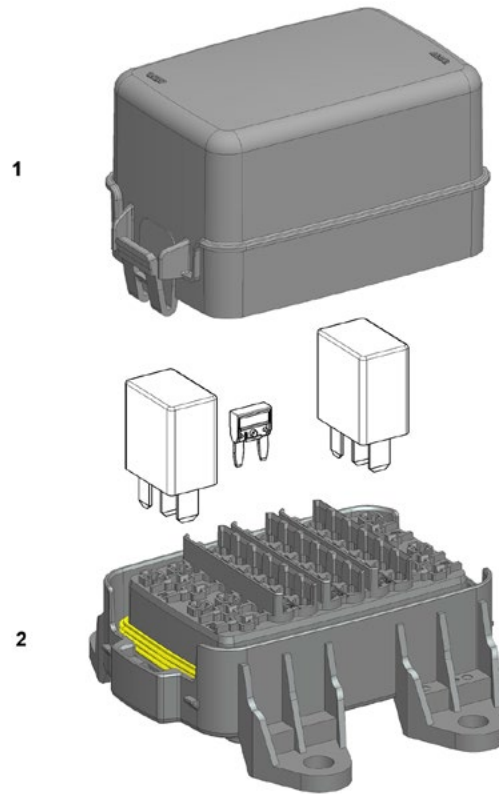


0300690

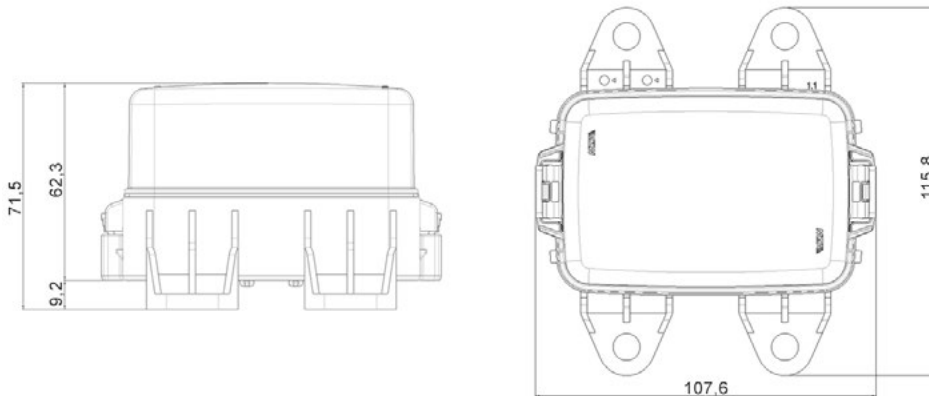


0300691

MINIVAL - MICRO RELAY WP MODULE



IMG	DESCRIPTION	MATERIAL	COLOUR	P/N BULK	MOQ
1	COVER	PA66 GF30	■ Black	0301377	100
2	18 MINIVAL + 4 MICRORELAY MODULE WITH MOUNTING BRACKETS	PA66 MD25	■ Black	0301373	60



CONNECTIONS AND FIXINGS



F280 WP



GASKETS FOR F280 WP



PLUG FOR F280 WP

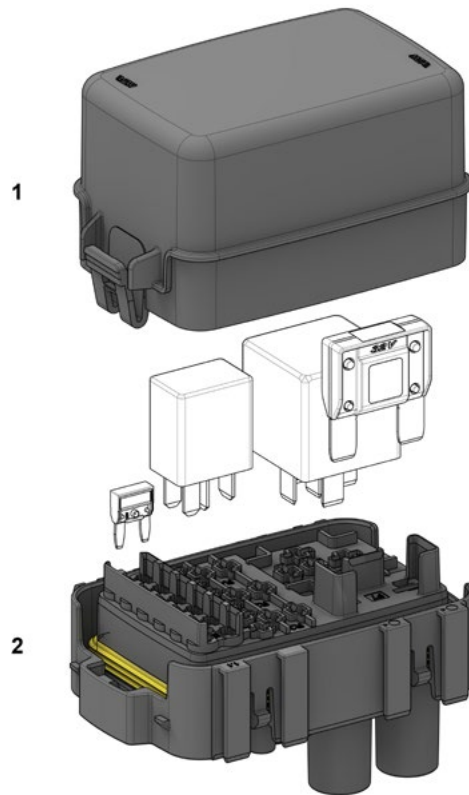


JPT WP

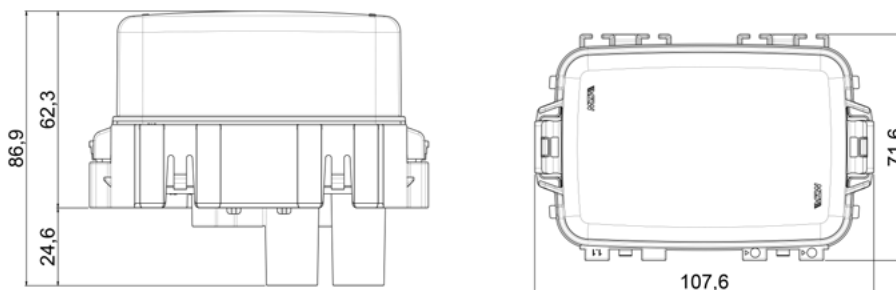


SPT WP

MINI/MAXIVAL - MINI/MICRO RELAY WP MODULE



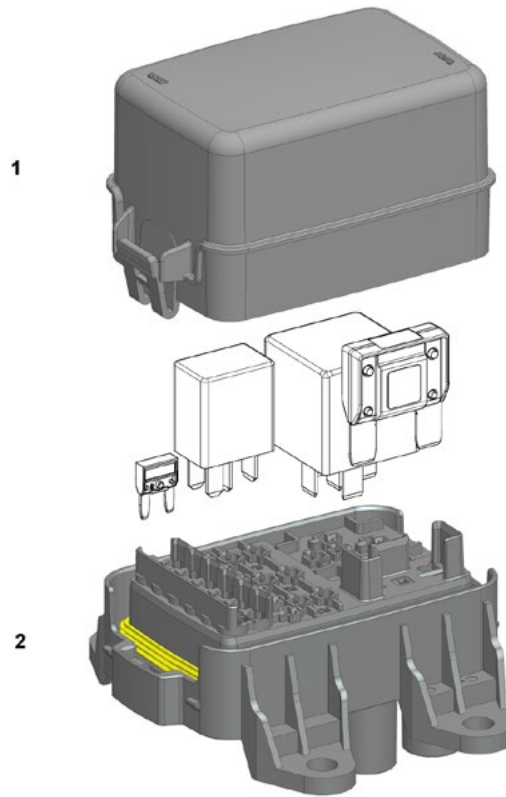
IMG	DESCRIPTION	MATERIAL	COLOUR	P/N BOX	MOQ	P/N BULK	MOQ
1	COVER	PA66 GF30	■ Black	0101371	1	0301371	100
2	6 MINIVAL + 1 MAXIVAL + 1 MINIRELAY + 3 MICRORELAY	PA66 MD25	■ Black	0101569	1	0301569	60



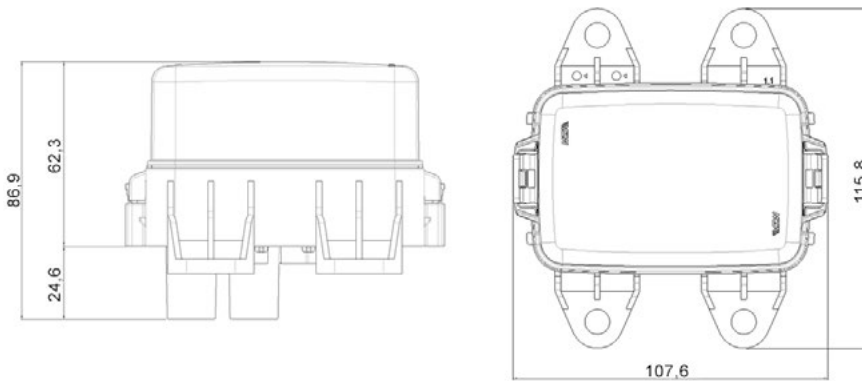
CONNECTIONS AND FIXINGS

F280 WP	GASKETS FOR F280 WP	PLUG FOR F280 WP	F800 WP	GASKETS FOR F800 WP	PLUG FOR F800 WP	JPT WP	SPT WP	0300690	0300691

MINI/MAXIVAL - MINI/MICRO RELAY WP MODULE



IMG	DESCRIPTION	MATERIAL	COLOUR	P/N BULK	MOQ
1	COVER	PA66 GF30	■ Black	0301377	100
2	6 MINIVAL + 1 MAXIVAL + 1 MINIRELAY + 3 MICRORELAY WITH MOUNTING BRACKETS	PA66 MD25	■ Black	0301374	45



CONNECTIONS AND FIXINGS



F280 WP



GASKETS FOR F280 WP



PLUG FOR F280 WP



F800 WP



GASKETS FOR F800 WP



PLUG FOR F800 WP

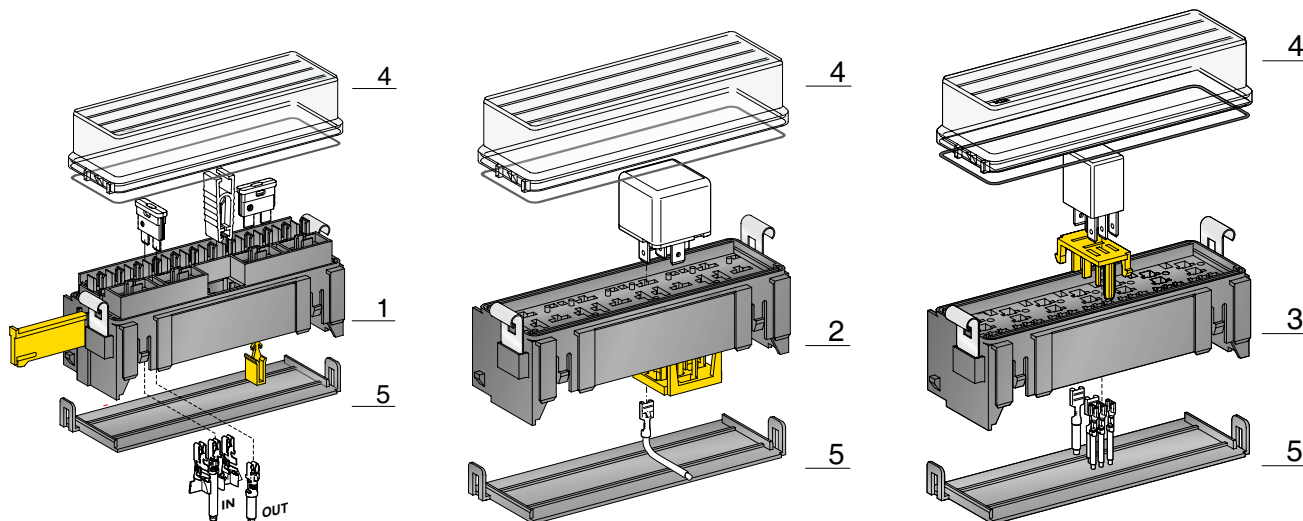


JPT WP

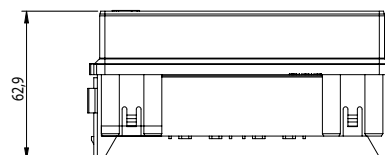
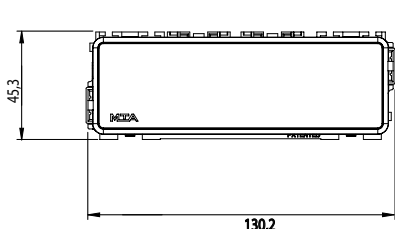


SPT WP

FUSE BOXES



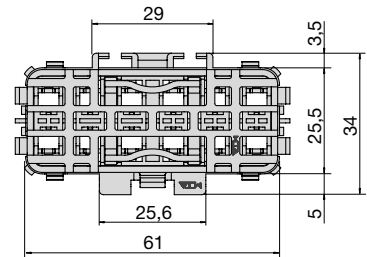
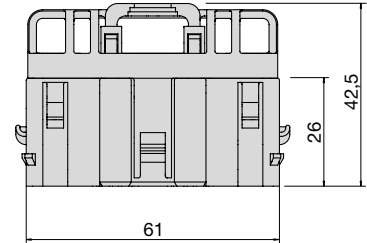
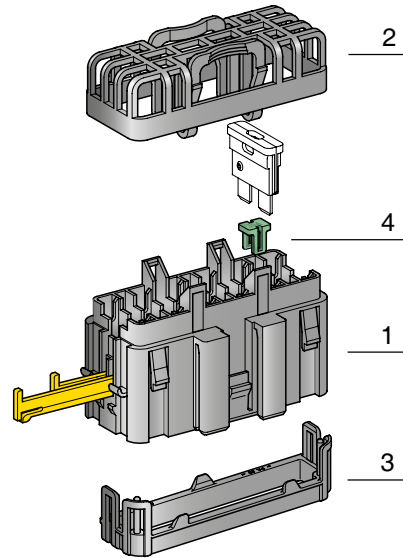
IMG	DESCRIPTION	WAY	MATERIAL	COLOUR	P/N KIT COVER,BRACKETS AND TERMINALS	INNER BOX PCS	MOQ	P/N BULK	MOQ
1	UNIVAL HOLDER	16	PA66 GF25	■ Black	0100655	1	16	0300650	36
2	MINI RELAY HOLDER	4	PA66 GF25	■ Black	0100665	1	16	0300660	60
3	MICRO RELAY HOLDER	7	PA66 GF25	■ Black	0100705	1	16	0300700	100
4	COVER WITH GASKET		PC	□ Natural				0300670	80
5	BOTTOM COVER		PA66	■ Black				0300680	72



CONNECTIONS AND FIXINGS

IMG	1+2+3	1+2+3	1	1	2	3	3	1+2+3
	0300690	0300691	UNI F630 BUS-BAR	UNI F630	FASTON F630 WITH LOCKING NOTCH	FASTON F480 PASSO 5	FASTON F630 THICKNESS 0,35	0300856

6-WAY U.P.L.



IMG	DESCRIPTION	WAY	MATERIAL	COLOUR	P/N BULK	MOQ
1	HOUSING	6	PA66 GF25	Black	0303006	500
2	COVER		PA66 GF30	Black	0303009	600
3	WIRE'S COVER		PA66	Black	0303008	1000
4	IDENTIFICATION INSERT 3 AMP		PBT GF20	Violet	0303003	500
	IDENTIFICATION INSERT 5 AMP		PBT GF20	Beige	0303005	500
	IDENTIFICATION INSERT 7,5 AMP		PBT GF20	Brown	0303007	500
	IDENTIFICATION INSERT 10 AMP		PBT GF20	Red	0303010	500
	IDENTIFICATION INSERT 15 AMP		PBT GF20	Blue	0303015	500
	IDENTIFICATION INSERT 20 AMP		PBT GF20	Yellow	0303020	500
	IDENTIFICATION INSERT 25 AMP		PBT GF20	White	0303025	500
	IDENTIFICATION INSERT 30 AMP		PBT GF20	Green	0303030	500

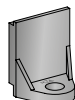
CONNECTIONS AND FIXINGS



0300949



0300690



0300691

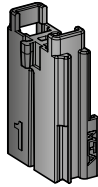
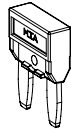


UNI F630
BUS-BAR

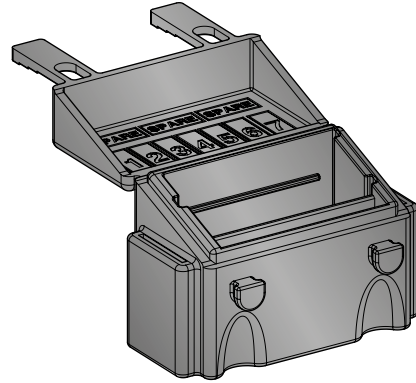


UNI F630

SML

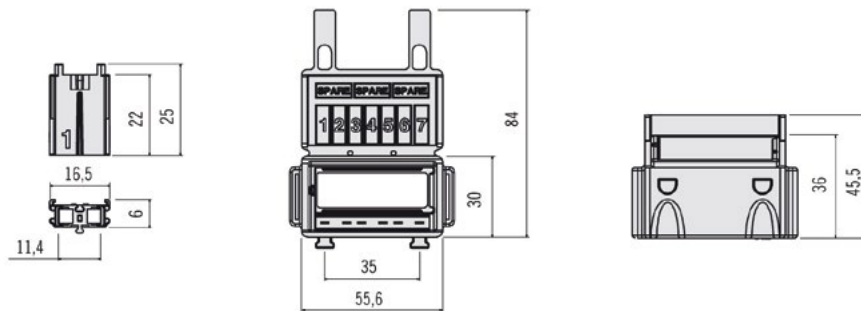


1



2

IMG	DESCRIPTION	WAY	MATERIAL	COLOUR	P/N KIT WITH TERMINALS	MOQ	P/N BULK	MOQ
1	HOUSING	1	PA66 GF30	■ Black			0301420	2800
2	MODULE FOR MINIVAL	7	EPDM-60	■ Black			0301430	250
	MODULE FOR MINIVAL KIT WITH TERMINALS	7	EPDM-60-D15	■ Black	0301435	1	0301431	400

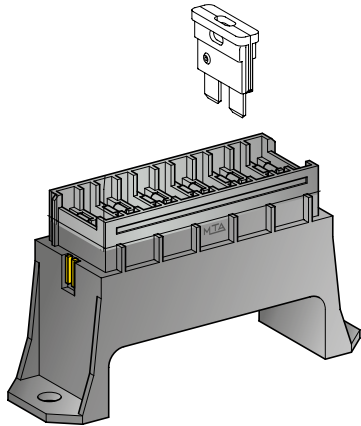


CONNECTIONS AND FIXINGS

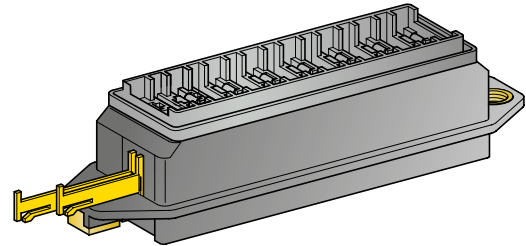


F280

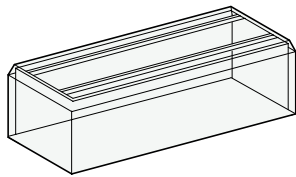
AXIAL EXITS



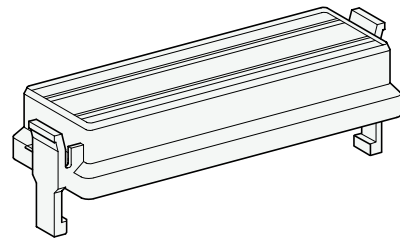
1



2

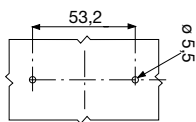


3

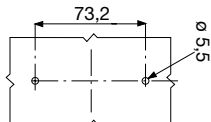


4

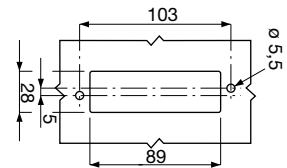
IMG	DESCRIPTION	WAY	MATERIAL	COLOUR	P/N KIT WITH COVER AND TERMINALS	INNER BOX PCS	MOQ	P/N BULK	MOQ
1	HOUSING WITH TERMINALS	4	PA66 GF30	■ Black	0100540	1	24	0300540	500
	HOUSING W/OUT TERMINALS	4	PA66 GF30	■ Black					
	HOUSING WITH TERMINALS	6	PA66 GF30	■ Black	0100560	1	12	0300560	500
	HOUSING W/OUT TERMINALS	6	PA66 GF30	■ Black					
2	HOUSING WITH TERMINALS	8	PA66 GF30	■ Black	0100580	1	9	0300580	300
	HOUSING W/OUT TERMINALS	8	PA66 GF30	■ Black					
3	COVER	4	PC	□ Natural				0300542	500
	COVER	6	PC	□ Natural					
4	COVER WITH GASKET	8	PA 12	□ Natural				0300582	150



4 WAY

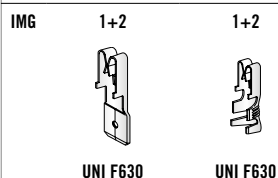


6 WAY



8 WAY

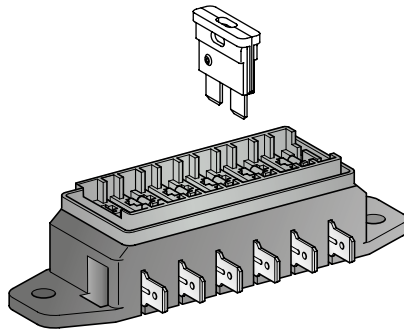
CONNECTIONS AND FIXINGS



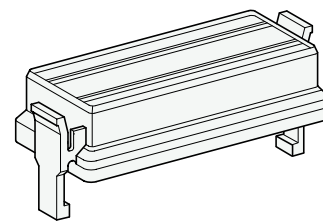
UNI F630

UNI F630

LATERAL EXITS

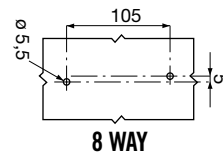
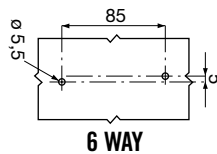
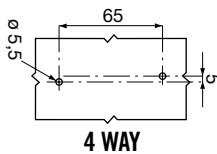


1

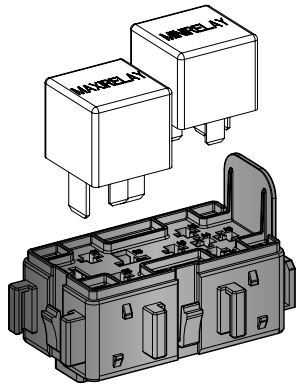


2

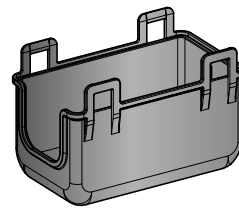
IMG	DESCRIPTION	WAY	MATERIAL	COLOUR	P/N KIT WITH COVER AND TERMINALS	INNER BOX PCS	MOQ	P/N BULK	MOQ
1	HOUSING WITH TERMINALS	4	PA66 GF30	■ Black	0100610	1	24	0300610	500
	HOUSING WITH TERMINALS	6	PA66 GF30	■ Black	0100600	1	12	0300600	400
	HOUSING WITH TERMINALS	8	PA66 GF30	■ Black	0100590	1	9	0300590	300
2	COVER WITH GASKET	4	PA12	□ Natural				0300612	450
	COVER WITH GASKET	6	PA12	□ Natural				0300602	80
	COVER WITH GASKET	8	PA12	□ Natural				0300582	150



RELAY HOLDER

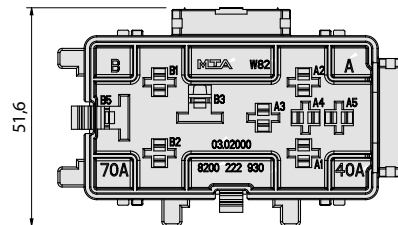
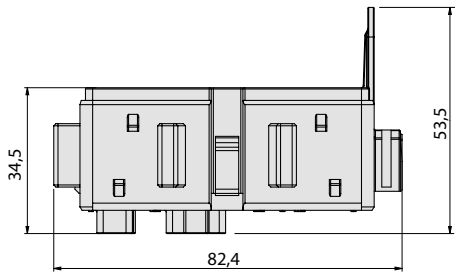


1



2

IMG	DESCRIPTION	WAY	MATERIAL	COLOUR	P/N BULK	MOQ
1	HOLDER FOR MAXI AND MINI RELAY	2	PBT GF20	■ Black	0302000	240
2	UPPER AND BOTTOM COVER		PP	■ Black	0302001	240



CONNECTIONS AND FIXINGS



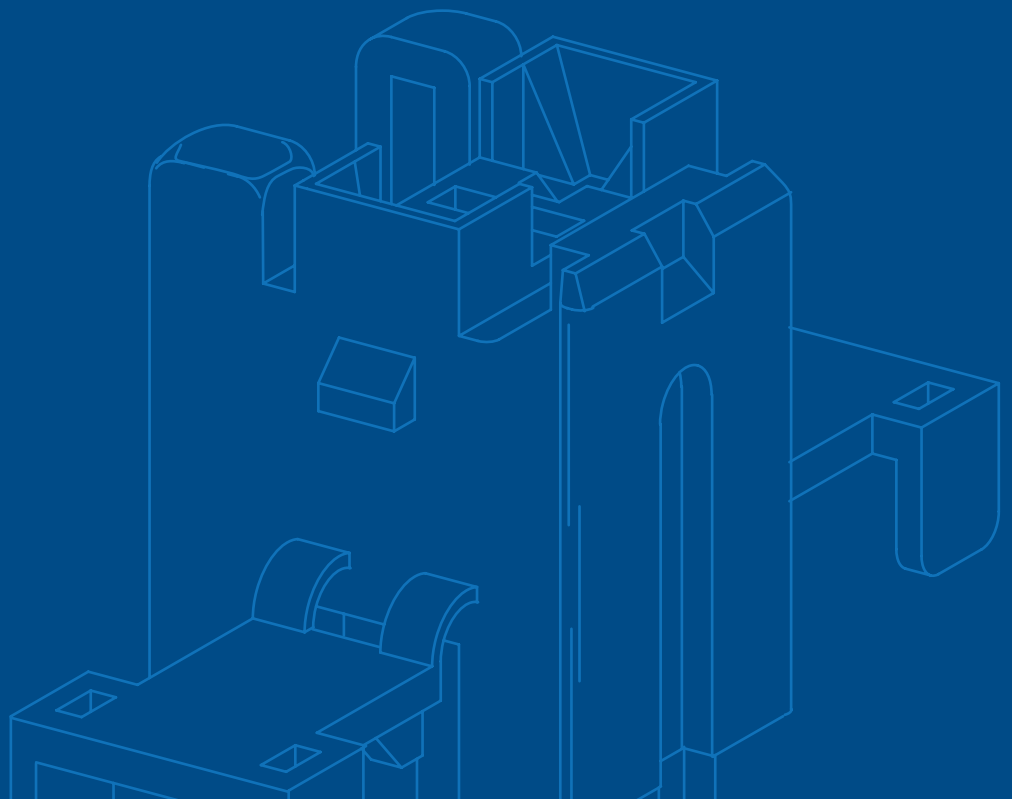
L-TYPE F950



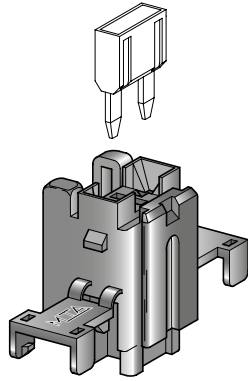
NG1 6,3



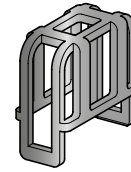
FUSE/RELAY HOLDERS



MINIVAL® IN-LINE HOLDER

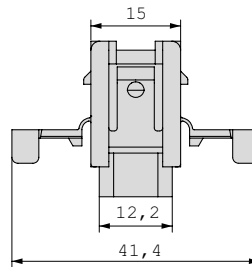
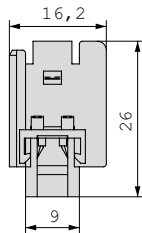


1

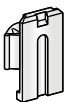


2

IMG	DESCRIPTION	WAY	MATERIAL	COLOUR	P/N BOX	MOQ	P/N BULK	MOQ	P/N BULK	MOQ
1	HOUSING	1	PA66	■ Black	0101400	5	0301400	200	0301410	2000
2	COVER		PA66	■ Black	0100416	5			0300416	2000



CONNECTIONS AND FIXINGS

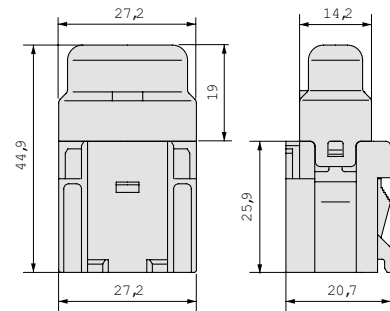
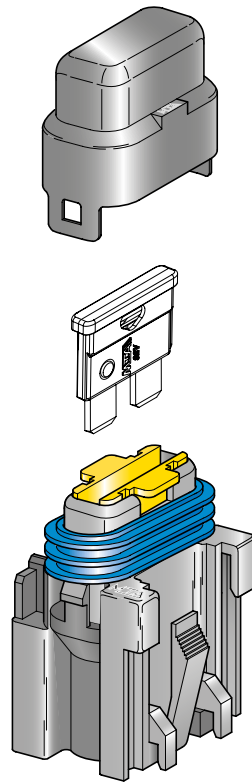


0300395
0300398



JPT

SPLASH PROOF UNIVAL® HOLDER



1

IMG.	DESCRIPTION	WAY	MATERIAL	COLOUR	P/N BOX	MOQ	P/N BOX	MOQ	P/N BULK	MOQ
1	SPLASH PROOF HOLDER+ COVER + SECONDARYLOCK 1 AMP	1	PA66	Black					0301301	1200
	+ SECONDARYLOCK 5 AMP		PBT GF20	Black					0301305	1200
	+ SECONDARYLOCK 7,5 A		PBT GF20	Beige			0302305	100	0301307	1200
	+ SECONDARYLOCK 10 AMP		PBT GF20	Brown					0301310	1200
	+ SECONDARYLOCK 15 AMP		PBT GF20	Red			0302310	100	0301315	1200
	+ SECONDARYLOCK 20 AMP		PBT GF20	Blue			0302315	100	0301320	1200
	+ SECONDARYLOCK 25 AMP		PBT GF20	Yellow			0302320	100	0301325	1200
	+ SECONDARYLOCK 30 AMP		PBT GF20	Natural			0302325	100	0301330	1200
	KIT WITH TERMINALS GASKET AND FIXING PLATE			Green	3050153	1				

CONNECTIONS AND FIXINGS



0300949



0300856



0300392



0300440



0300430



0300698



0300697



UNI F630



UNI F630
WITH CLIP

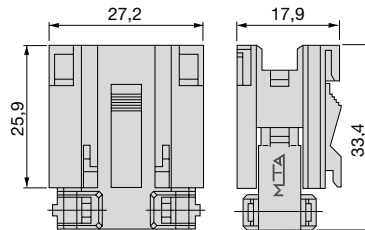


4507770
4507771

UNIVAL® HOLDER



IMG	DESCRIPTION	WAY	MATERIAL	COLOUR	P/N BOX	MOQ	P/N BULK	MOQ
1	HOLDER	1	PA66	■ Black	0100400	25	0300400	500
	HOLDER	1	PA66	■ Brown			0300402	500
2	COVER		PA66 GF30	■ Black	0100415	25	0300415	1000



CONNECTIONS AND FIXINGS



0300949



0300856



0300392



0300440



0300430



0300698

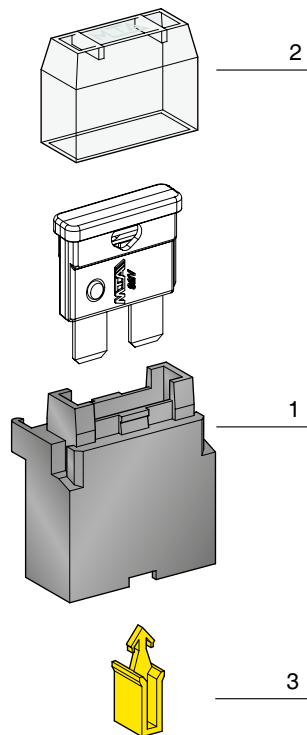


0300697

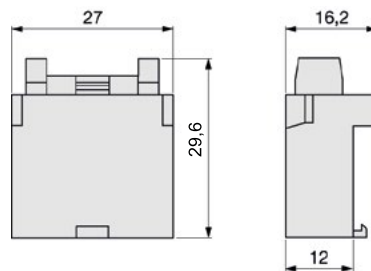


UNI F630

UNIVAL® HOLDER



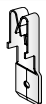
IMG.	DESCRIPTION	WAY	MATERIAL	COLOUR	P/N BOX	INNER BOX PCS	MOQ	P/N BULK	MOQ
1	HOLDER WITH TERMINALS	1	PA66	■ Black	0100351	50	250	0300351	1250
	HOLDER WITH SECONDARY LOCK WITHOUT TERMINALS	1	PA66	■ Black				0300354	1000
	HOLDER WITH TERMINALS AND CABLES	1	PA66	■ Black	0100350		25		
2	COVER		PC	□ Clear	0100359	25	250	0300359	500
3	SECONDARY LOCK		PA66	■ Yellow				0300357	250
	KIT WITH COVER, TERMINALS, FIXING PLATE AND EXTRACTOR				0100353 (Blister)	1	20		



CONNECTIONS AND FIXINGS



0300352

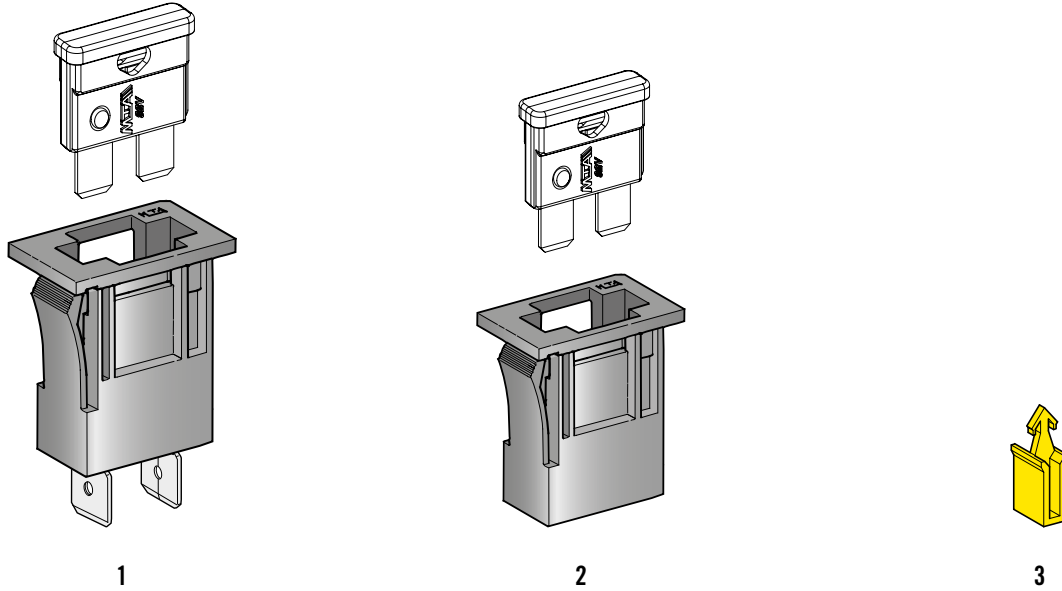


UNI F630

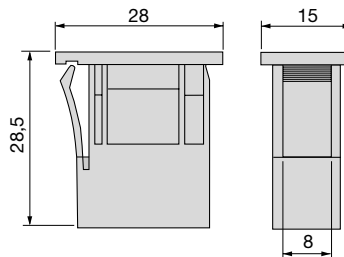


UNI F630

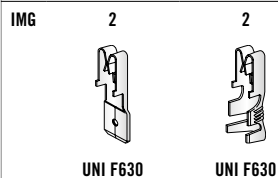
UNIVAL® INSERTABLE HOLDER



IMG	DESCRIPTION	WAY	MATERIAL	COLOUR	P/N BULK	MOQ
1	HOLDER WITH TERMINALS	1	PA66 GF25	■ Black	0300330	1000
2	HOLDER WITHOUT TERMINALS	1	PA66 GF25	■ Black	0300331	1000
3	SECONDARYLOCK		PA66	■ Yellow	0300357	250



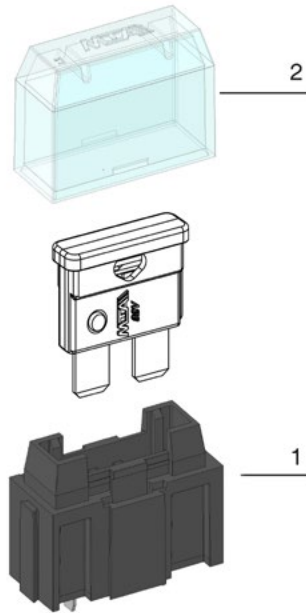
CONNECTIONS AND FIXINGS



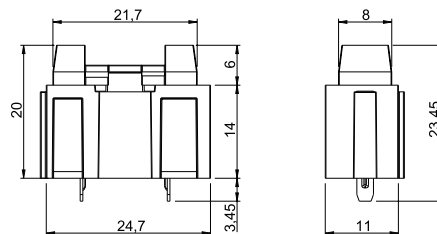
UNI F630

UNI F630

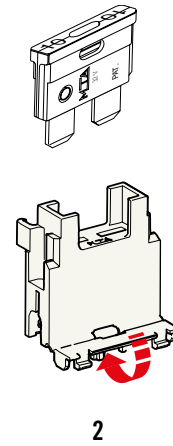
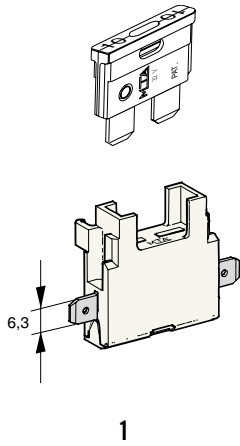
UNIVAL® PCB HOLDER



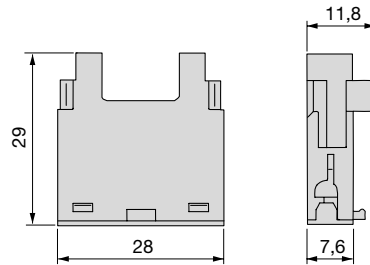
IMG	DESCRIPTION	WAY	MATERIAL	COLOUR	P/N BOX	INNER BOX PCS	MOQ	P/N BULK	MOQ
1	HOLDER	1	PA66 GF30	■ Black	0100420		5	0300420	1000
2	COVER	1	PC	□ Natural	0100359	25	250	0300359	500



UNIVAL® HOLDER

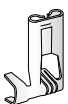


IMG	DESCRIPTION	MATERIAL	P/N BULK	MOQ
1	IN LINE FUSEHOLDER WITH TERMINALS	PA66	0300341	1000
2	IN LINE FUSEHOLDER WITHOUT TERMINALS	PA66	0300342	2500



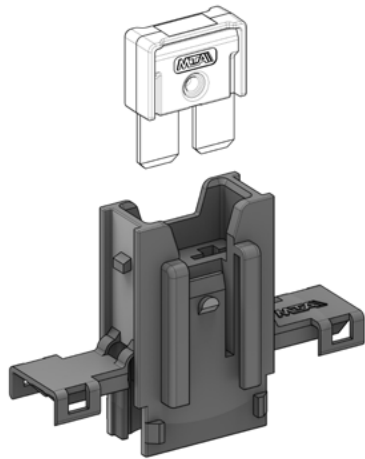
CONNECTIONS AND FIXINGS

IMG 2

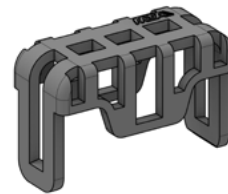


FASTON F630
FLAG

MAXICOMPACT® HOLDER

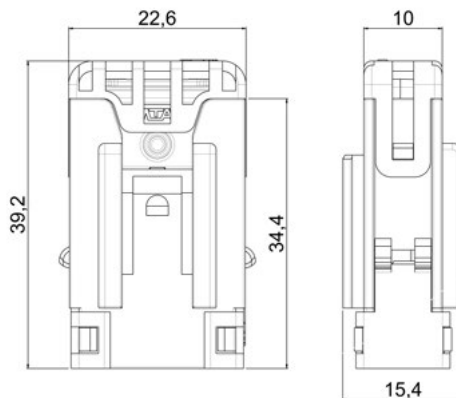


1



2

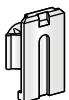
IMG	DESCRIPTION	WAY	MATERIAL	COLOUR	P/N BOX	MOQ
1	HOLDER	1	PA66	■ Black	0101881	40
2	COVER	1	PA66	■ Black	0101882	50



CONNECTIONS AND FIXINGS

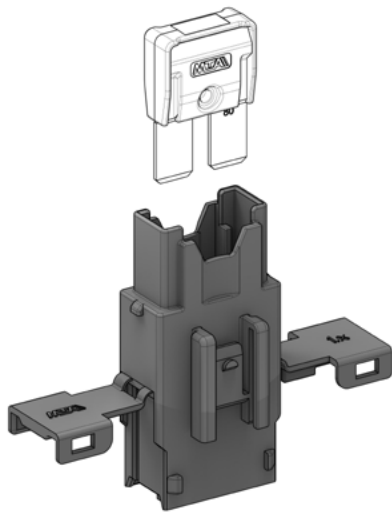


F630E



0300395
0300398

M8COMPACT® HOLDER

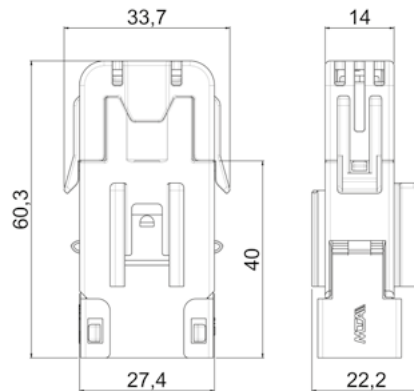


1



2

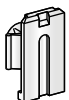
IMG	DESCRIPTION	WAY	MATERIAL	COLOUR	P/N BOX	MOQ
1	HOLDER	1	PA66	■ Black	0101883	50
2	COVER	1	PA66	■ Black	0101884	50



CONNECTIONS AND FIXINGS

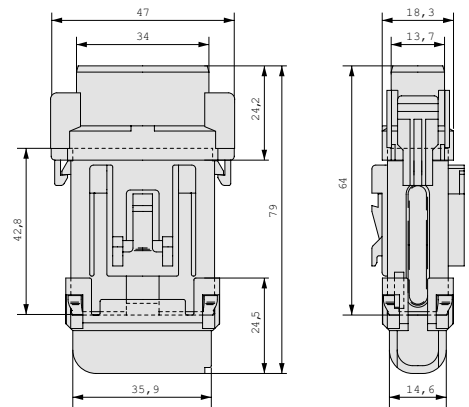
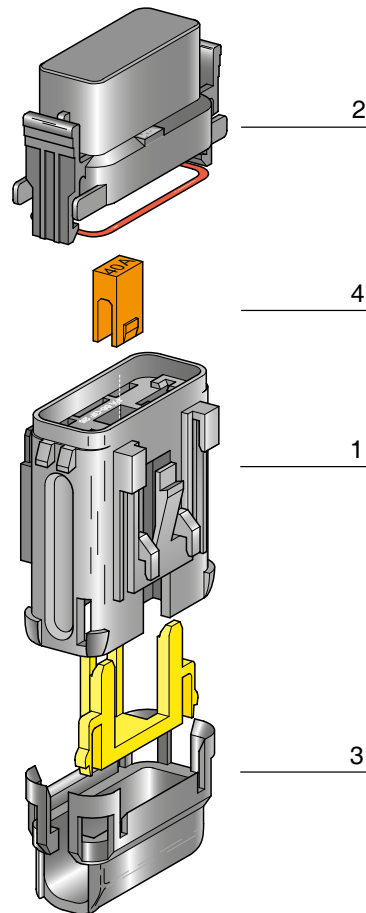


F800
WITH CLIP



0300395
0300398

SPLASH PROOF MAXIVAL® HOLDER



IMG	DESCRIPTION	WAY	MATERIAL	COLOUR	P/N BULK	MOQ	P/N BULK	MOQ
1	HOLDER + SECONDARYLOCK	1	PA66 GF25 PA66 GF30	■ Black ■ Yellow	0321000	250	0301000	800
2	COVER WITH GASKET		PA66	■ Black	0321210	500	0301210	1500
3	BOTTOM COVER		PA66	■ Black	0321200	250	0301200	1500
4	IDENTIFICATION INSERT 30 AMP		PBT GF20	■ Green			0301030	1500
	IDENTIFICATION INSERT 40 AMP		PBT GF20	■ Orange			0301040	1500
	IDENTIFICATION INSERT 50 AMP		PBT GF20	■ Red			0301050	1500
	IDENTIFICATION INSERT 60 AMP		PBT GF20	■ Blue			0301060	1500
	IDENTIFICATION INSERT 70 AMP		PBT GF20	■ Beige			0301070	1500
	IDENTIFICATION INSERT 80 AMP		PBT GF20	■ Natural			0301080	1500
	KIT WITH TERMINALS				0101005	50		

CONNECTIONS AND FIXINGS



0300949



0300856



0300392



0300440

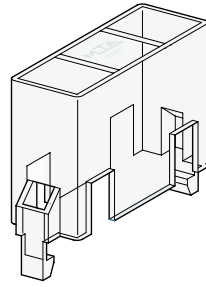


0300430

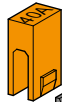


F800

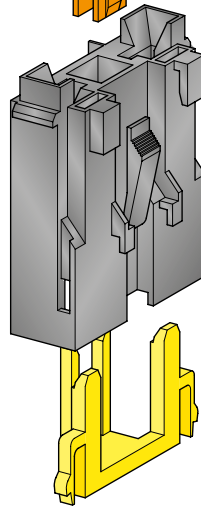
MAXIVAL® HOLDER



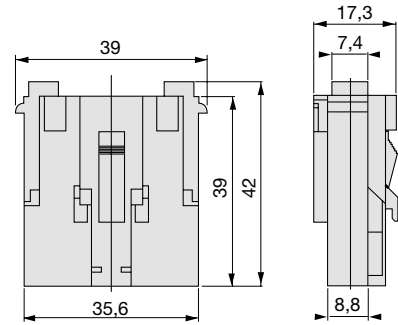
2



3



1



IMG	DESCRIPTION	WAY	MATERIAL	COLOUR	P/N BOX	MOQ	P/N BULK	MOQ
1	HOLDER + SECONDARYLOCK	1	PA66 GF25 PA66 GF30	<input checked="" type="checkbox"/> Black <input checked="" type="checkbox"/> Yellow	0100390	50	0300390	1200
2	COVER		PC	<input type="checkbox"/> Natural	0100391	10	0300391	650
3	IDENTIFICATION INSERT 30 AMP		PBT GF20	<input checked="" type="checkbox"/> Green			0301030	1500
	IDENTIFICATION INSERT 40 AMP		PBT GF20	<input checked="" type="checkbox"/> Orange			0301040	1500
	IDENTIFICATION INSERT 50 AMP		PBT GF20	<input checked="" type="checkbox"/> Red			0301050	1500
	IDENTIFICATION INSERT 60 AMP		PBT GF20	<input checked="" type="checkbox"/> Blue			0301060	1500
	IDENTIFICATION INSERT 70 AMP		PBT GF20	<input checked="" type="checkbox"/> Beige			0301070	1500
	IDENTIFICATION INSERT 80 AM		PBT GF20	<input type="checkbox"/> Natural			0301080	1500
	KIT WITH TERMINALS				3001001	25		

CONNECTIONS AND FIXINGS



0300949



0300856



0300392



0300440

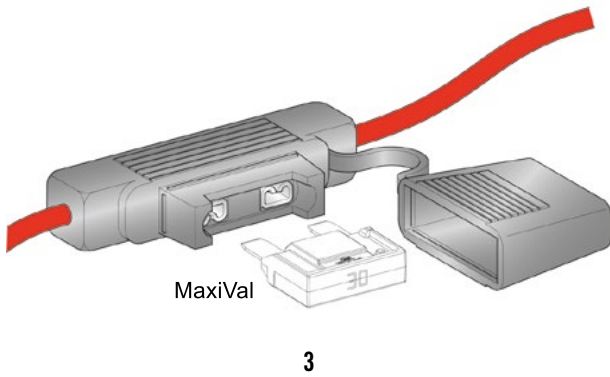
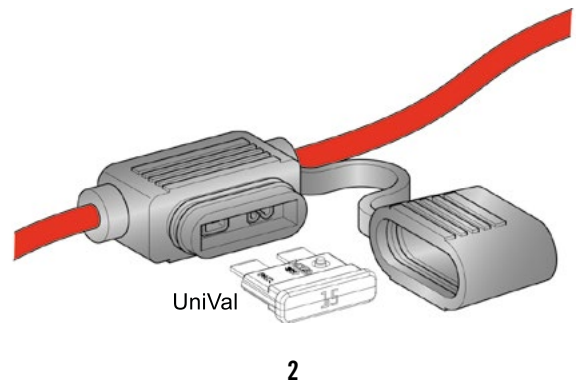
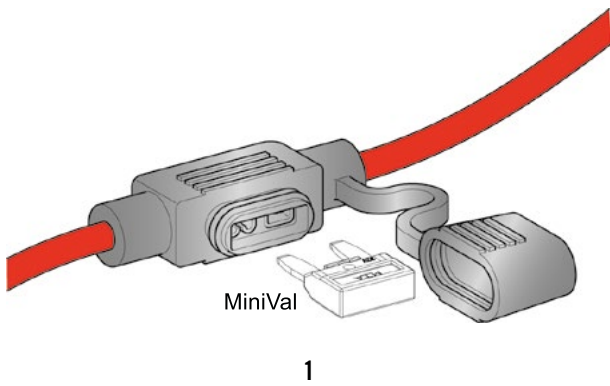


0300430



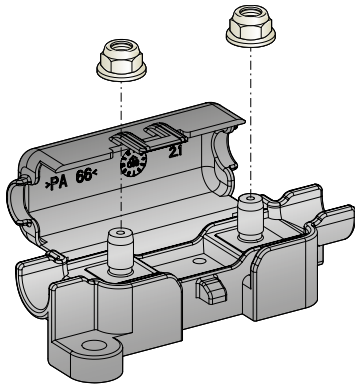
F800

WATERPROOF FUSE HOLDER

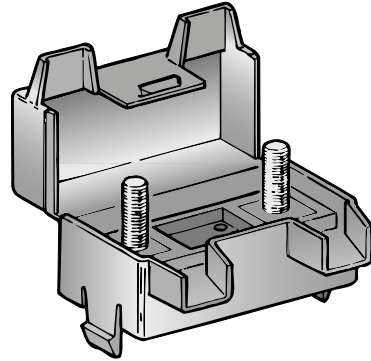


IMG	DESCRIPTION	P/N BOX	MOQ	P/N BULK	MOQ
1	WP MINIVAL FUSEHOLDER WITH CABLE 4 mm ² L = 140 mm	0100335	5		
2	WP UNIVAL FUSEHOLDER WITH CABLE 4 mm ² L = 138mm	0100336	5	0300336	500
3	WP MAXIVAL FUSEHOLDER WITH CABLE 8 mm ² L = 132 mm	0100337	1		

MIDIVAL® HOLDER

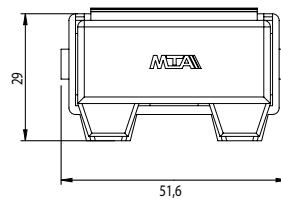
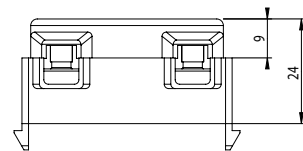
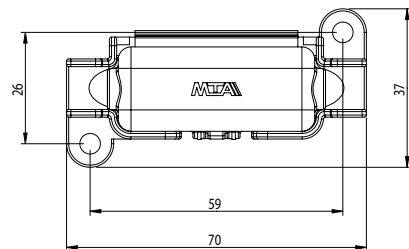
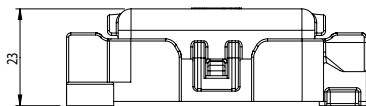


1



2

IMG	DESCRIPTION	WAY	MATERIAL	COLOUR	P/N BOX	MOQ	P/N BULK	MOQ
1	MIDIVAL HOLDER BOLT TYPE WITH NUTS	1	PA66	■ Black	0100360	75	0300360	200
2	MIDIVAL HOLDER CLIP TYPE WITHOUT NUTS	1	PA66	■ Black			0300370	200
	MIDIVAL HOLDER CLIP TYPE WITH NUTS	1	PA66	■ Black	0100370	5		

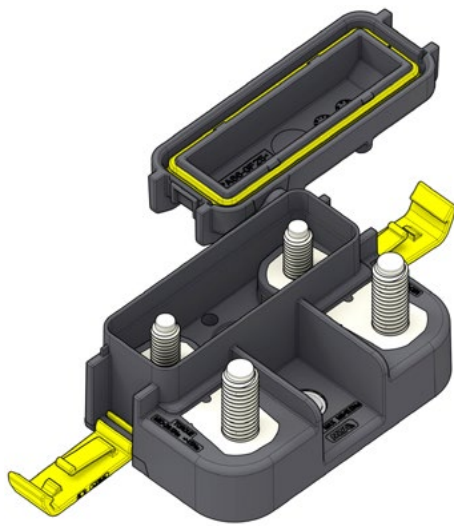


CONNECTIONS AND FIXINGS

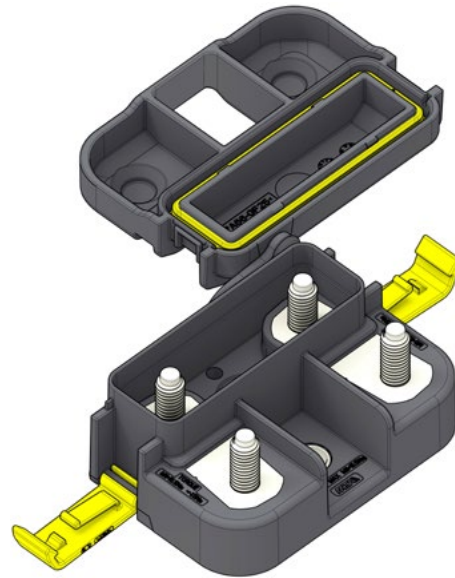


MIDI

WATERPROOF MEGAVAL® HOLDER

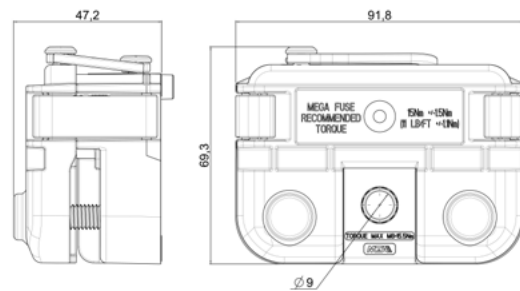
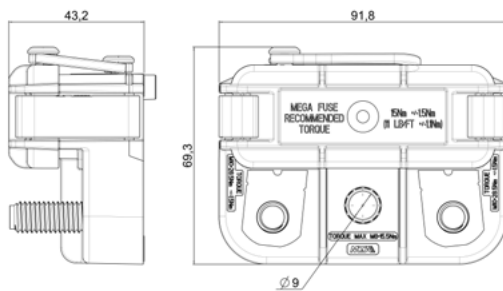


1



2

IMG	DESCRIPTION	WAY	MATERIAL	COLOUR	P/N BULK	MOQ
1	WP MEGAVAL HOLDER	1	PA66 GF25	■ Black	0301502	24
2	WP MEGAVAL HOLDER WITH EXTENDED COVER	1	PA66 GF25	■ Black	0301152	24

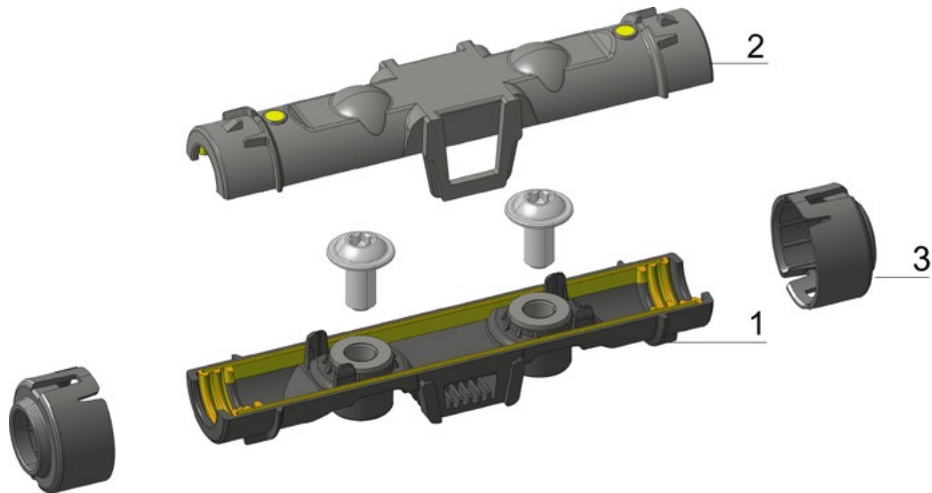


CONNECTIONS AND FIXINGS

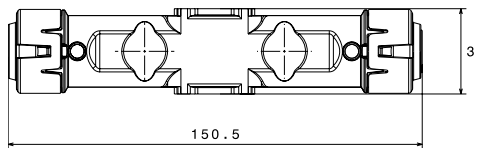
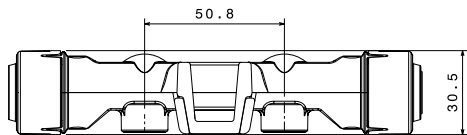


TUBULAR

WATERPROOF MEGAVAL® HOLDER



IMG	DESCRIPTION	WAY	MATERIAL	COLOUR	P/N	MOQ
1	WP IN LINE MEGAVAL HOLDER	1	PA66 GF 30 + TPE	■ Black	0301751	TBD
2	COVER	1	PA66 GF 30 + TPE	■ Black	0301750	TBD
3	TUBE RETAINER		PA6-GF35	■ Black	0301752	TBD
4	KIT WITH SCREWS AND RETAINERS				0100010	TBD



CONNECTIONS AND FIXINGS



1600068
1600069
1607511



CSA
0301754
0301753



0301755-59

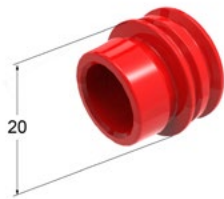
CSA & GASKETS



1



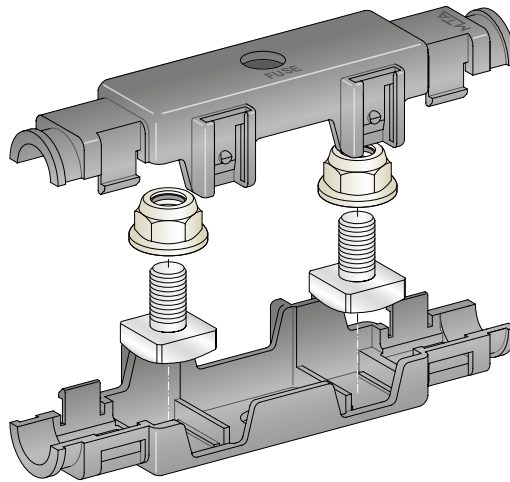
2



3

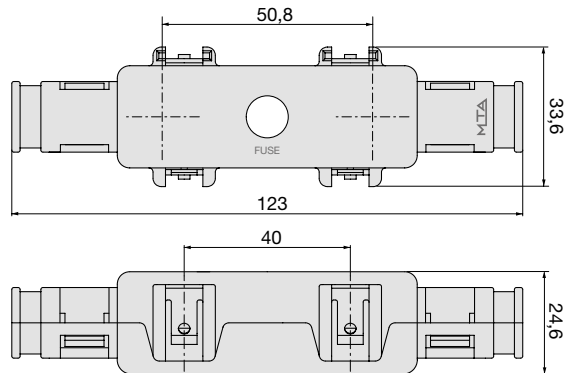
IMG	DESCRIPTION	MATERIAL	COLOUR	P/N	MOQ
1	CSA M6	PA6-GF35	BLACK	0301754	TBD
2	CSA	PA6-GF35	BLACK	0301753	TBD
3	GASKET	SILICON	YELLOW	0301755	TBD
	GASKET	SILICON	RED	0301756	TBD
	GASKET	SILICON	PINK	0301757	TBD
	GASKET	SILICON	GREEN	0301758	TBD
	GASKET	SILICON	VIOLET	0301759	TBD

MEGAVAL® HOLDER

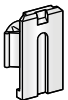


1

IMG	DESCRIPTION	WAY	MATERIAL	COLOUR	P/N	INNER BOX PCS	MOQ
1	MEGAVAL HOLDER	1	PA66 GF30	■ Black	0300380		50
	KIT WITH TERMINALS, SCREWS AND NUTS				0100380	1	10



CONNECTIONS AND FIXINGS

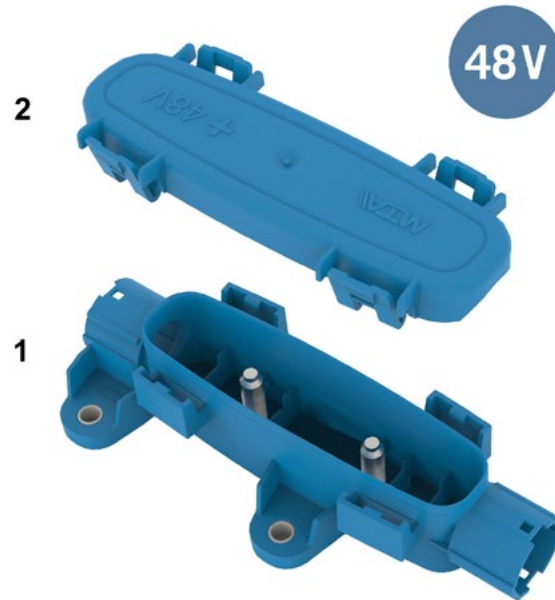


0300395
0300398

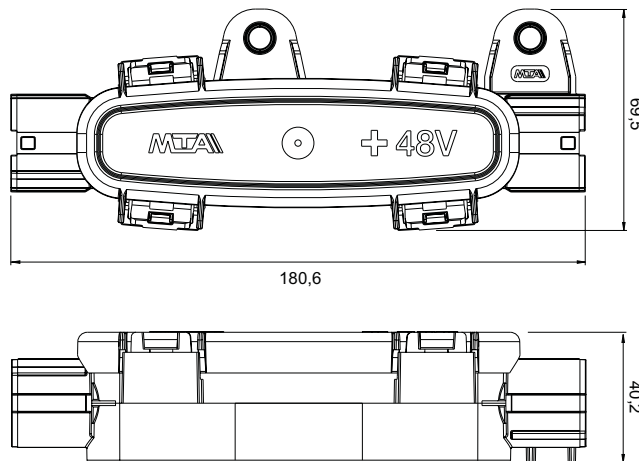


MEGA L34

WATERPROOF MEGAVAL® HOLDER 48 V



IMG	DESCRIPTION	WAY	MATERIAL	COLOUR	P/N	MOQ
1	MEGAVAL HOLDER 48 V WATERPROOF	1	PA6 - GF25	Blue	0300070	120
2	COVER	1	PA6 - GF25	Blue	0300071	104



CONNECTIONS AND FIXINGS



1607511

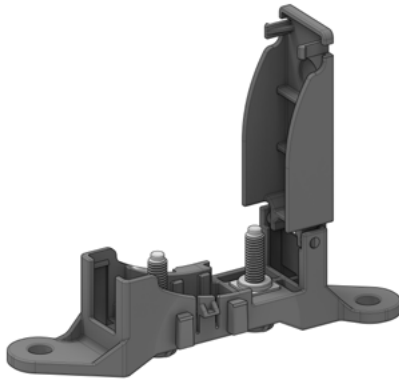


0300558

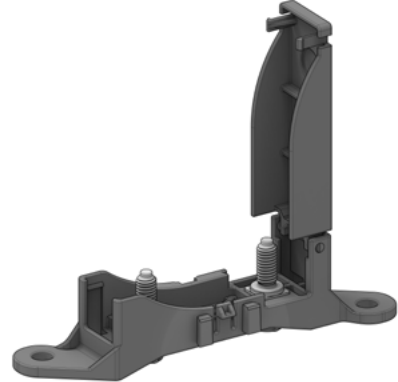


0301199

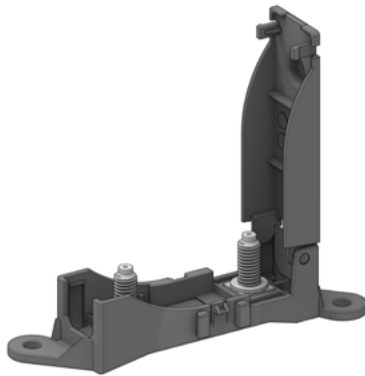
MIDIVAL®-MEGACOMPACT®-MEGAVAL® HOLDER



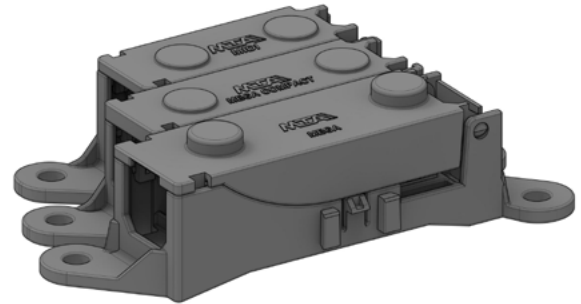
1



2

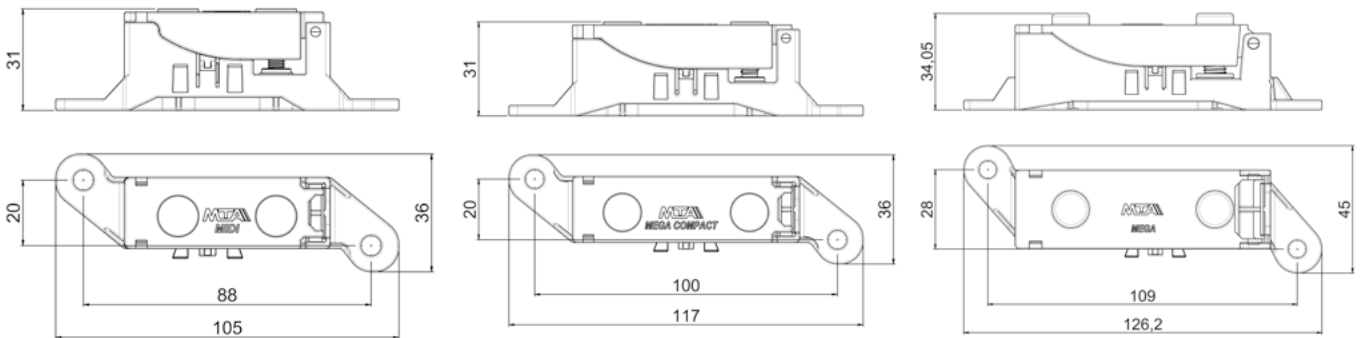


3



EXAMPLE OF A MULTIPLE FUSE BLOCK

IMG	DESCRIPTION	WAY	MATERIAL	COLOUR	P/N BOX	MOQ	P/N BULK	MOQ
1	MIDIVAL HOLDER	1	PA66 GF30	■ Black	0101499	20	0301499	200
2	MEGACOMPACT HOLDER	1	PA66 GF30	■ Black	0101497	20	0301497	150
3	MEGAVAL HOLDER	1	PA66 GF30	■ Black	0101498	20	0301498	100



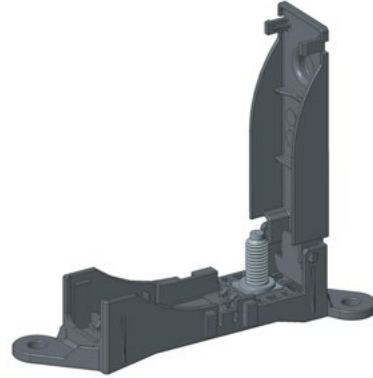
CONNECTIONS AND FIXINGS

IMG	1	2	2+3	3	3
	MIDI M5	RING STD137	TUBULAR	MEGA M8 POLA	MEGA M8 POLB

MIDIVAL®-MEGAVAL® HOLDER

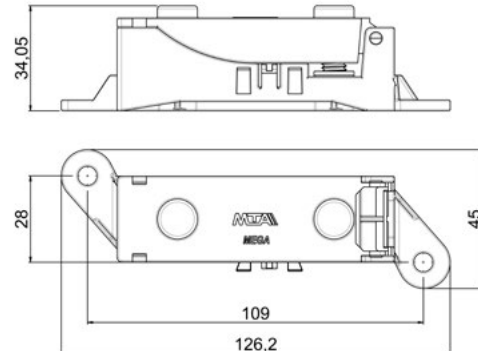
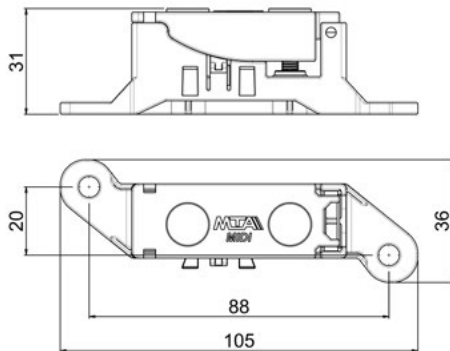


1



2

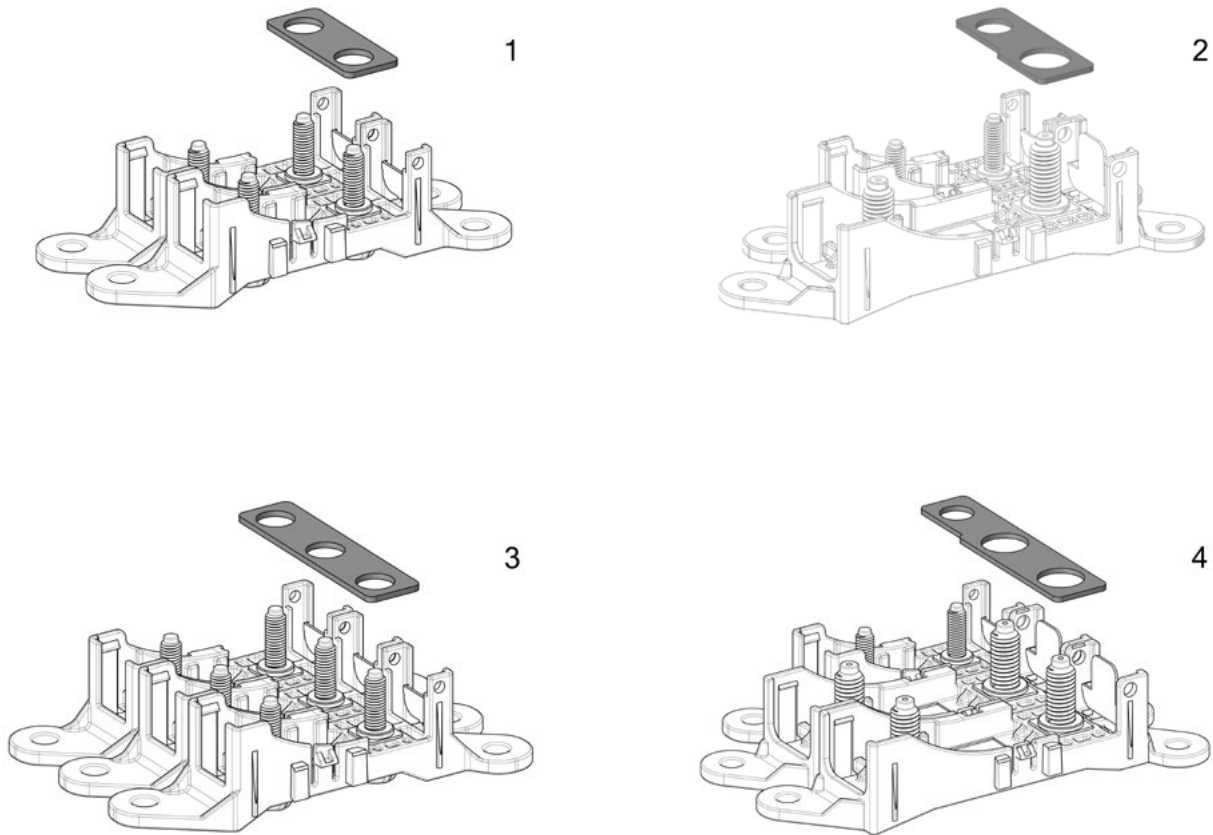
IMG	DESCRIPTION	WAY	MATERIAL	COLOUR	P/N BOX	MOQ	P/N BULK	MOQ
1	SINGLE STUD MIDIVAL HOLDER	1	PA66 GF30	■ Black	0101224	20	0301224	200
2	SINGLE STUD MEGAVAL HOLDER	1	PA66 GF30	■ Black	0101223	20	0301223	100



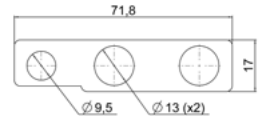
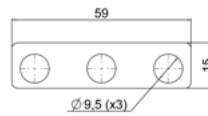
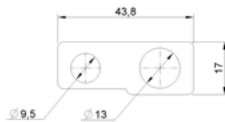
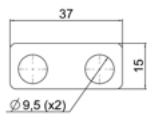
CONNECTIONS AND FIXINGS

IMG	1	1+2	2	2
	MIDI M5	TUBULAR	MEGA M8 POLA	MEGA M8 POLB

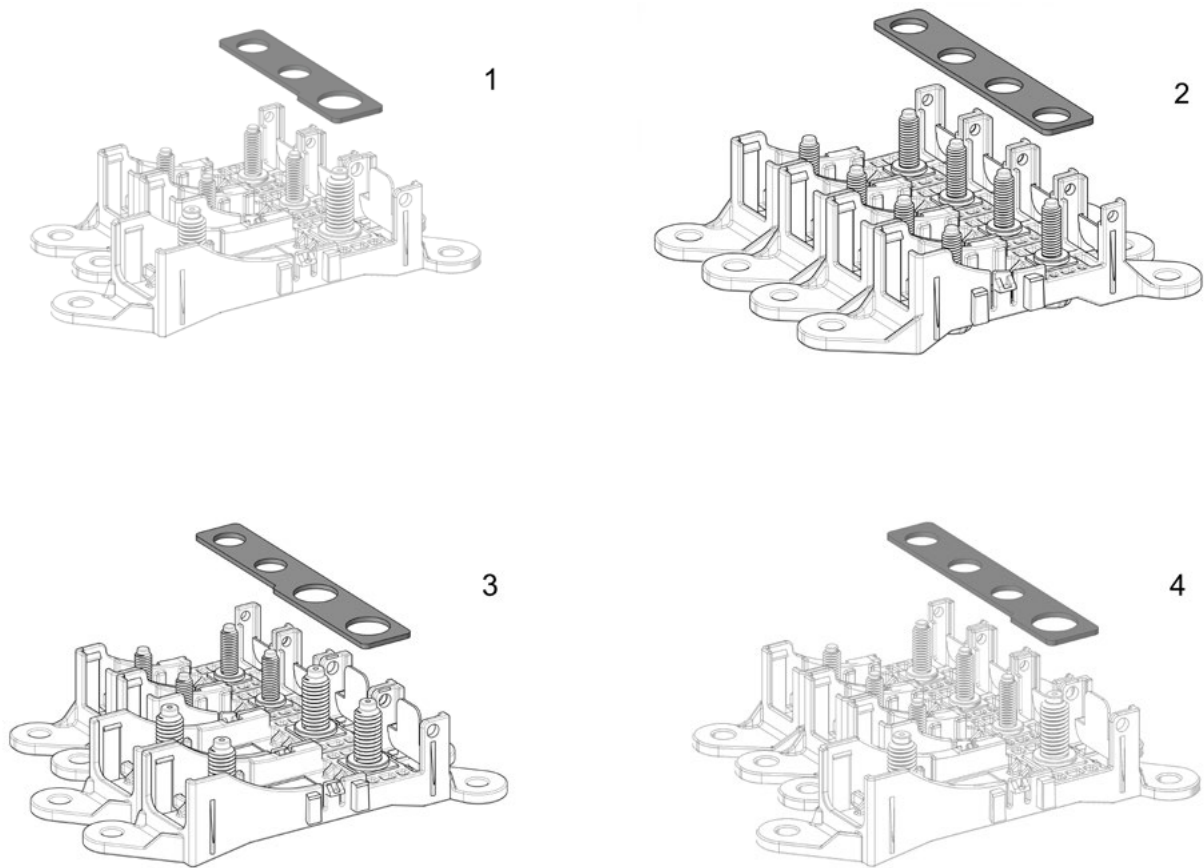
BUS-BAR



IMG	DESCRIPTION	MATERIAL	MATERIAL THICKNESS mm	P/N BULK	MOQ
1	2 WAY BUS-BAR 55 2 MIDIVAL	Cu-Sn	1,5	0301509	200
2	2 WAY BUS-BAR 58 1 MIDIVAL / 1 MEGAVAL	Cu-Sn	1,5	0301252	200
3	3 WAY BUS-BAR 555 3 MIDIVAL	Cu-Sn	1,5	0301508	100
4	3 WAY BUS-BAR 588 1 MIDIVAL /2 MEGAVAL	Cu-Sn	1,5	0301511	500

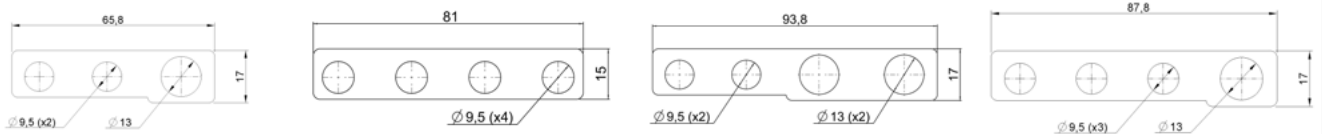


BUS-BAR

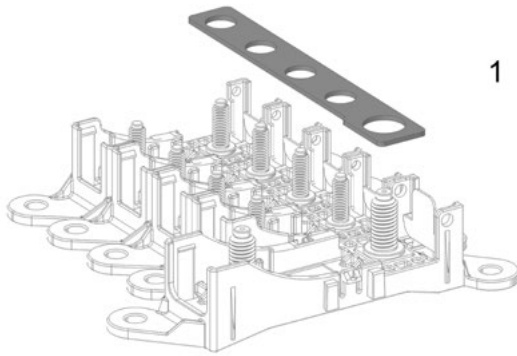


NEW

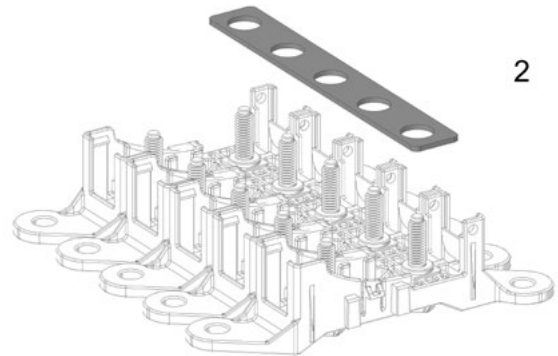
IMG	DESCRIPTION	MATERIAL	MATERIAL THICKNESS mm	P/N BULK	MOQ
1	3 WAY BUS-BAR 558 2 MIDIVAL /1 MEGAVAL	Cu-Sn	1,5	0301251	100
2	4 WAY BUS-BAR 5555 4 MIDIVAL	Cu-Sn	1,5	1600060	TBD
3	4 WAY BUS-BAR 5588 2 MIDIVAL /2 MEGAVAL	Cu-Sn	1,5	0301512	500
4	4 WAY BUS-BAR 5558 3 MIDIVAL /1 MEGAVAL	Cu-Sn	1,5	0301250	100



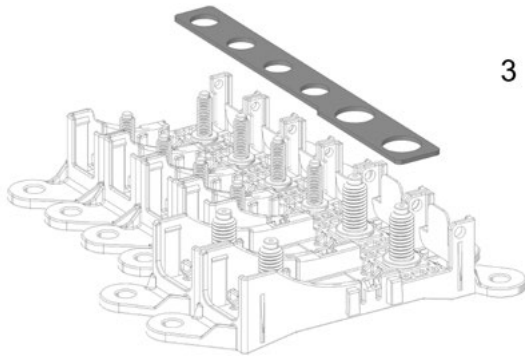
BUS-BAR



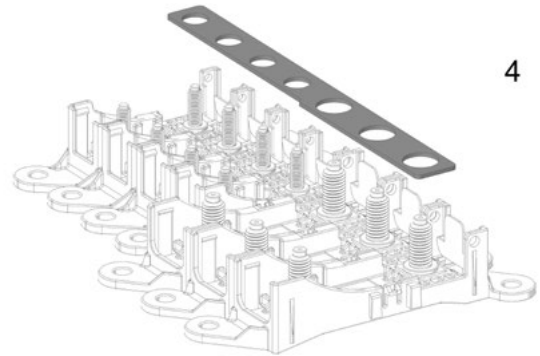
1



2

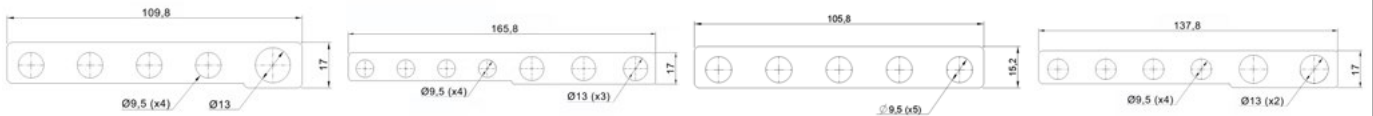


3

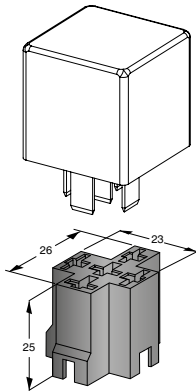


4

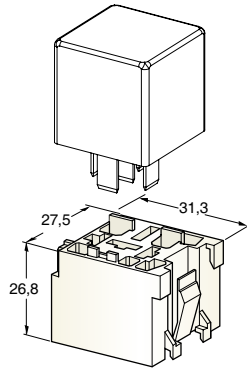
IMG	DESCRIPTION	MATERIAL	MATERIAL THICKNESS mm	P/N BULK	MOQ
1	5 WAY BUS-BAR 55558 4 MIDIVAL /1 MEGAVAL	Cu-Sn	1,5	0301249	100
2	5 WAY BUS-BAR 55555 5 MIDIVAL	Cu-Sn	1,5	0301227	100
3	6 WAY BUS-BAR 555588 4 MIDIVAL /2 MEGAVAL	Cu-Sn	1,5	0301225	100
4	7 WAY BUS-BAR 5555888 4 MIDIVAL /3 MEGAVAL	Cu-Sn	1,5	0301226	100



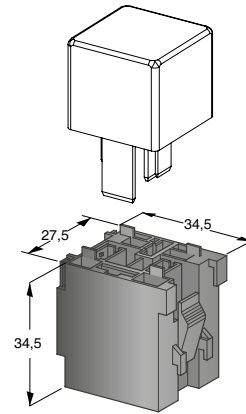
RELAY HOLDER



1



2



3

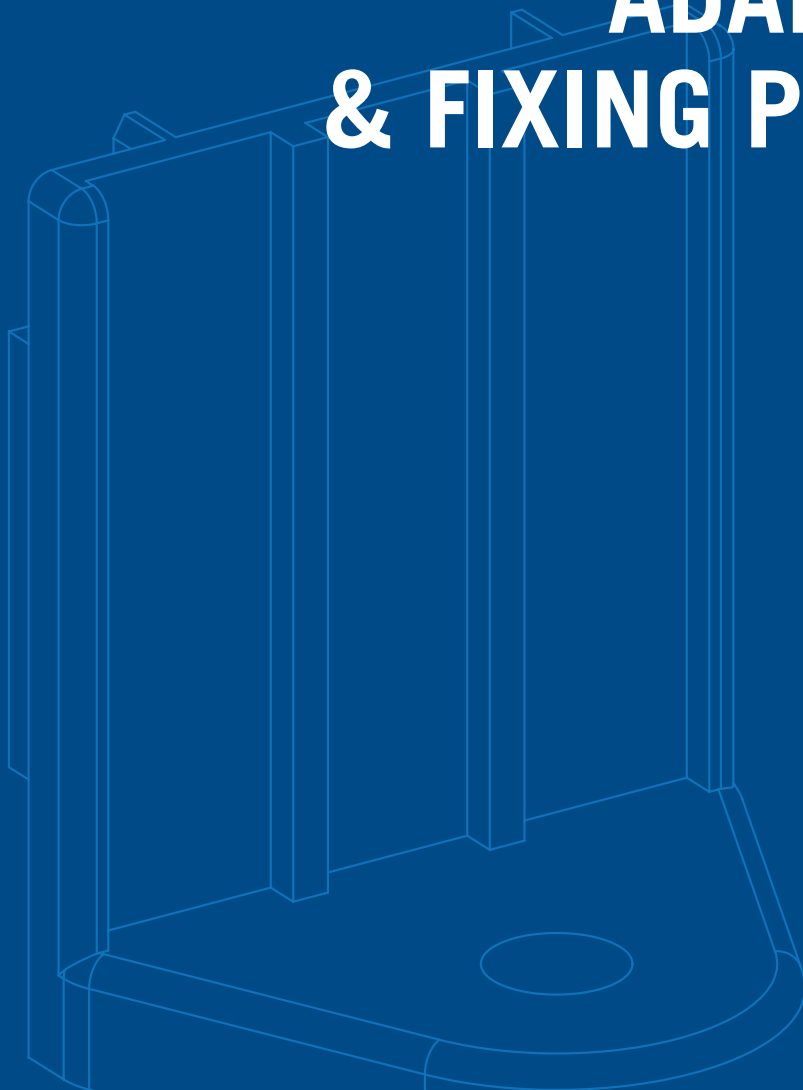
IMG	DESCRIPTION	MATERIAL	COLOUR	P/N BOX	MOQ
1	MINI RELAY HOLDER	PA	■ Black	4410246	50
2	MINI RELAY HOLDER	PA	□ Neutral	4410245	50
3	MAXI RELAY HOLDER	PA	■ Black	4410247	50

CONNECTIONS AND FIXINGS

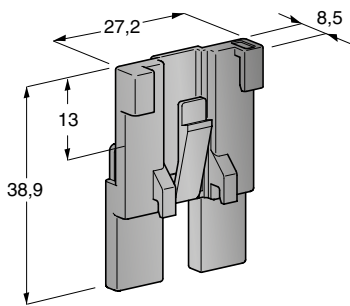
IMG	1	2+3	2+3	2+3	2	3	3
	F630	01.00392	01.00440	01.00430	F630 W/LOCK.NOTCH	ANTISF F630	FASTON F950 W/LOCK.NOTCH



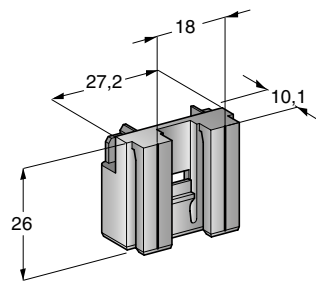
ADAPTERS & FIXING PLATES



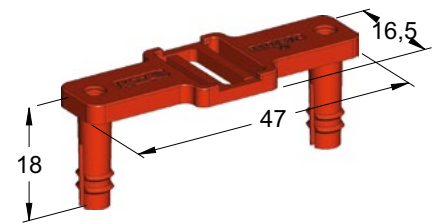
ADAPTERS



1



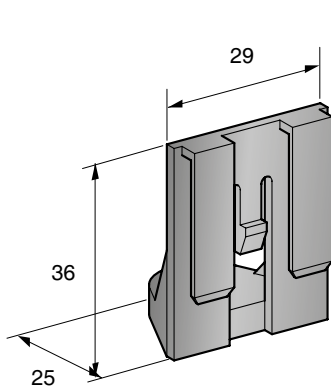
2



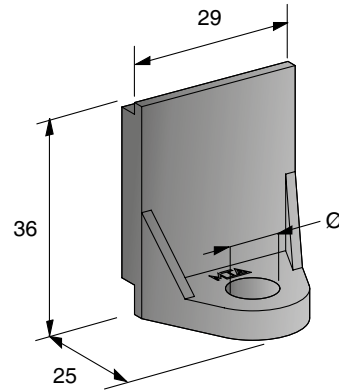
3

IMG	DESCRIPTION	MATERIAL	COLOUR	P/N BULK	MOQ
1	ADAPTER	PA66 GF25	■ Black	0300856	1000
2	ADAPTER	PA66 GF25	■ Black	0300949	1500
3	RETENTION BLOCK WITHOUT BOLTS	PP GF30 - HB	■ Red	9450168	5000

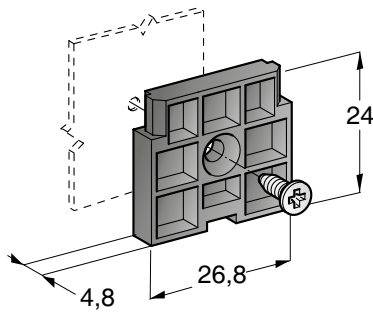
FIXING PLATES



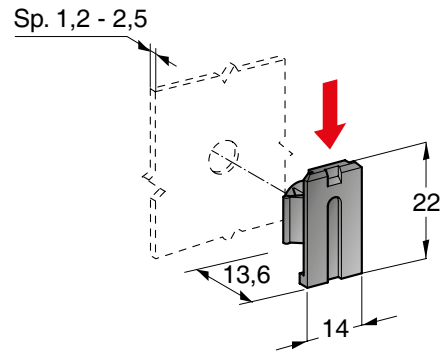
1



2



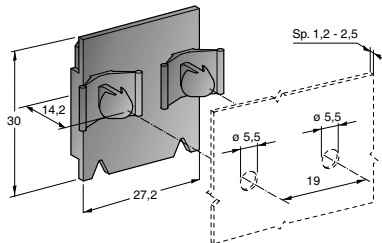
3



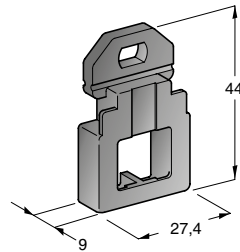
4

IMG	DESCRIPTION	Ø mm	MATERIAL	COLOUR	P/N BULK	MOQ
1	MOUNTING BRACKET MALE	8,5	PA66	■ Black	0300690	100
2	MOUNTING BRACKET FEMALE	8,5	PA66	■ Black	0300691	100
3	FIXING PLATE WITH 1 SCREW	3,6	PP GF30	■ Black	0300352	1000
4	FIXING PLATE BY PRESSURE	6,5	PA66	■ Black	0300395	1000
	FIXING PLATE BY PRESSURE	8,0	PA66	■ Black	0300398	1000

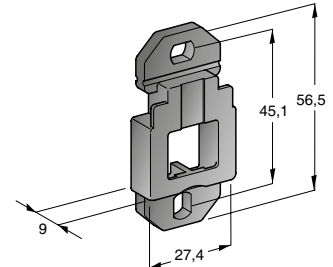
FIXING PLATES



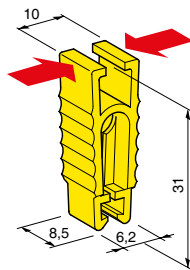
1



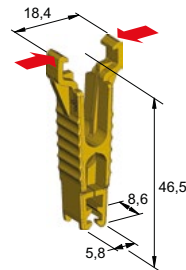
2



3



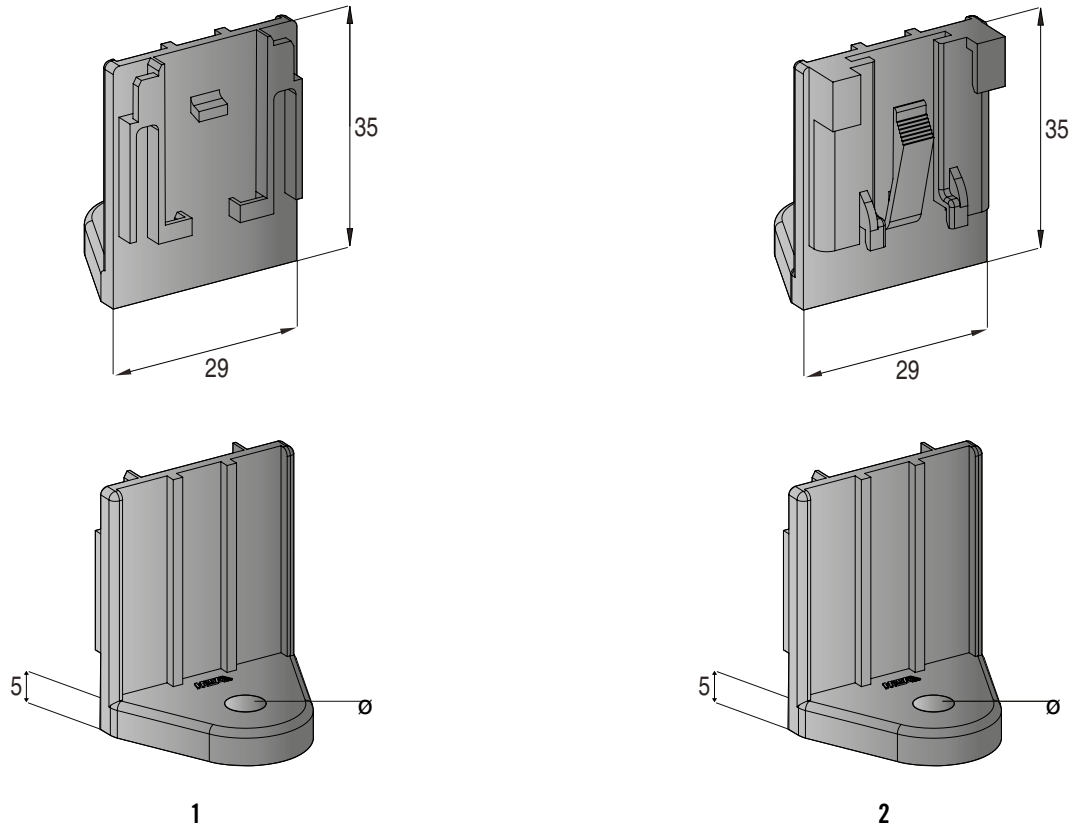
4



5

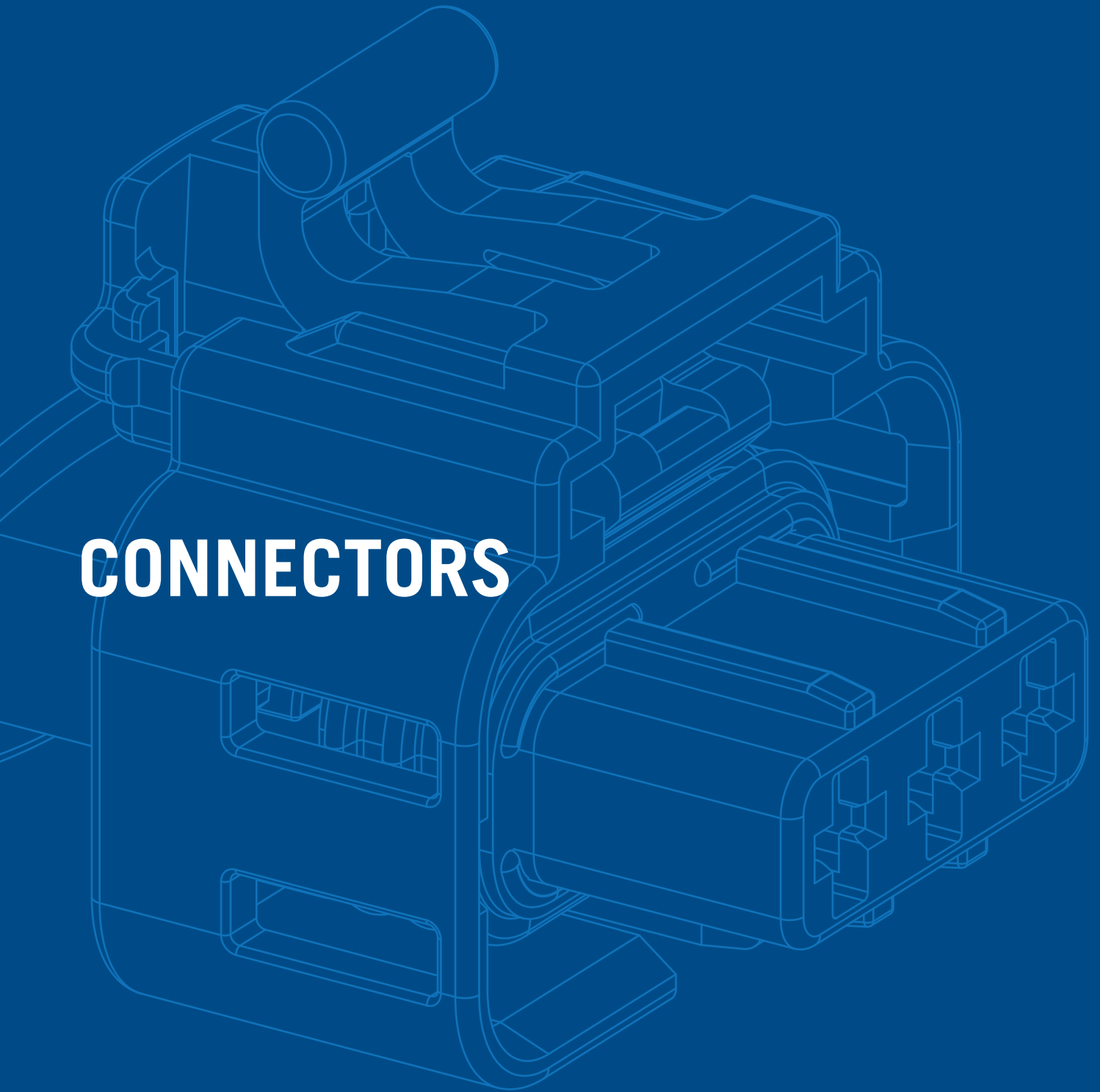
IMG	DESCRIPTION	SCREW Ø mm	MATERIAL	COLOUR	P/N BOX	INNER BOX PCS	MOQ	P/N BULK	MOQ
1	FIXING PLATE	5,5	PA66	■ Black	0100392	10	120	0300392	2000
2	FIXING PLATE	M 5	PA66	■ Black	0100430	10	100	0300430	1000
3	FIXING PLATE	M 5	PA66	■ Black	0100440	10	100	0300440	250
4	EXTRACTOR FOR BLADE FUSE		PP	■ Yellow	0100358	25	600	0300358	3000
5	EXTRACTOR FOR BLADE FUSE		PP	■ Yellow				0300353	2000

FIXING PLATES

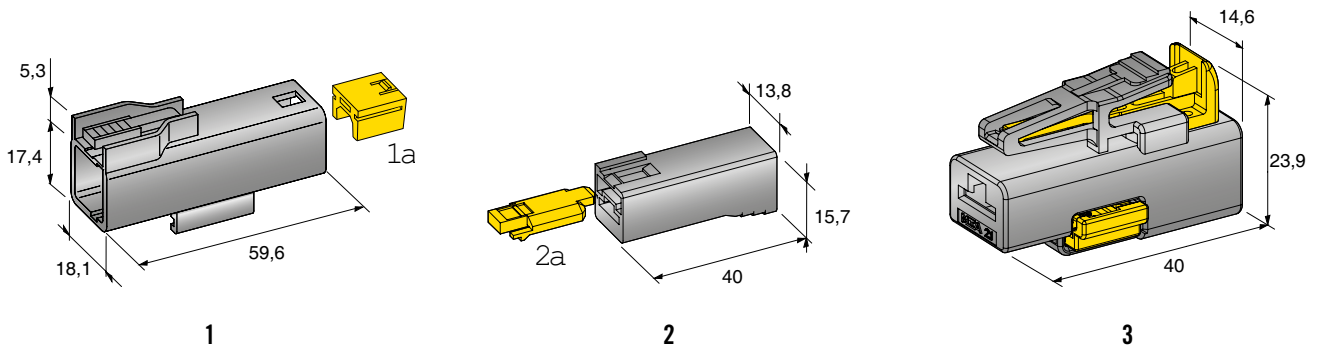


IMG	DESCRIPTION	∅ mm	MATERIAL	COLOUR	P/N BULK	MOQ
1	MOUNTING BRACKET FEMALE	5,5	PA66	■ Black	0300698	100
2	MOUNTING BRACKET MALE	5,5	PA66	■ Black	0300697	100

CONNECTORS

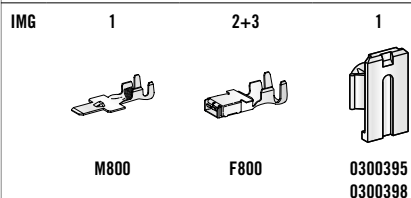


1-WAY POWER

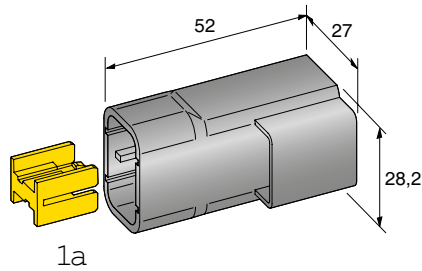


IMG	DESCRIPTION	WAY	MATERIAL	COLOUR	P/N BULK	MOQ
1	MALE HOLDER	1	PA66 GF25	Black	4540205	1200
2	FEMALE HOLDER	1	PA66 GF25	Black	4540105	2400
3	FEMALE HOLDER WITH SECONDARY LOCK AND CPA	1	PA66 GF30	Black	4540150	700
1a	SECONDARY LOCK		PA66	Yellow	4545200	5000
2a	SECONDARY LOCK		PA66	Yellow	4545100	10000

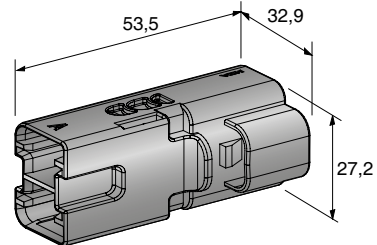
CONNECTIONS AND FIXINGS



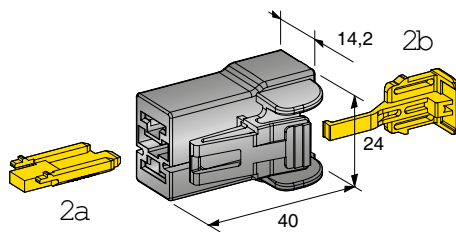
2-WAY POWER



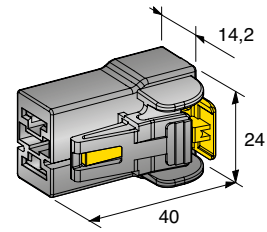
1



2



3



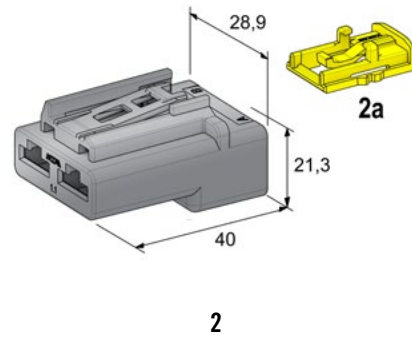
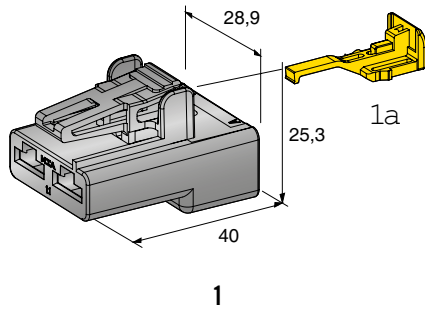
4

IMG	DESCRIPTION	WAY	MATERIAL	COLOUR	P/N BULK	MOQ
1	MALE HOLDER	2	PA66 GF30	Black	4540405	600
	MALE HOLDER POLARIZED	2	PA66 GF30	Blue	4540410	600
	MALE HOLDER POLARIZED	2	PA66 GF30	Green	4540430	600
3	FEMALE HOLDER	2	PA66 GF30	Black	4540305	1200
	FEMALE HOLDER POLARIZED	2	PA66 GF30	Blue	4540315	1200
	FEMALE HOLDER POLARIZED	2	PA66 GF30	Grey	4540345	1200
	FEMALE HOLDER POLARIZED	2	PA66 GF30	Green	4540325	1200
4	FEMALE HOLDER POLARIZED WITH CPA	2	PA66 GF30	Blue	4540312	1200
1a	SECONDARY LOCK		PA66 GF30	Yellow	4545400	1200
2a	SECONDARY LOCK		PA66	Yellow	4545100	10000
2b	CPA		PA66 GF30	Yellow	4545300	2400

CONNECTIONS AND FIXINGS

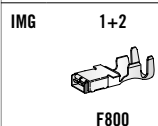
IMG	1+2	3+4	1+2
	M800	F800	0300395 0300398

2-WAY POWER

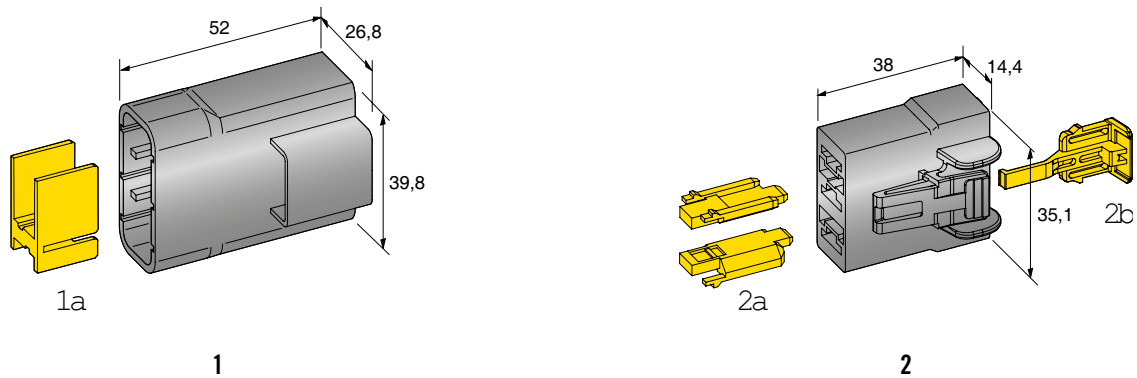


IMG	DESCRIPTION	WAY	MATERIAL	COLOUR	P/N BULK	MOQ
1	FEMALE HOLDER POLARIZED	2	PA66 GF13	Blue	4540500	600
	FEMALE HOLDER POLARIZED	2	PA66 GF13	Green	4540501	600
1a	CPA		PA66 GF30	Yellow	4545300	2400
2	FEMALE HOLDER POLARIZED	2	PA66 GF13 HB	Blue	4540502	1200
	FEMALE HOLDER POLARIZED	2	PA66 GF13 HB	Green	4540503	1200
2a	CPA		PA66 GF30	Yellow	4540303	8000

CONNECTIONS AND FIXINGS

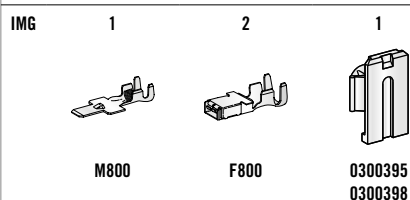


3-WAY POWER

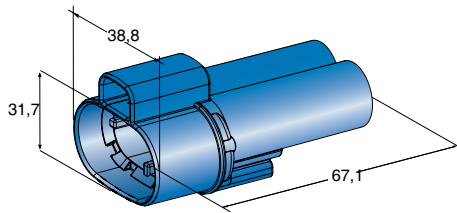


IMG	DESCRIPTION	WAY	MATERIAL	COLOUR	P/N BULK	MOQ
1	MALE HOLDER	3	PA66 GF25	Black	4540805	600
2	FEMALE HOLDER	3	PA66 GF30	Black	4540705	1200
	FEMALE HOLDER POLARIZED	3	PA66 GF30	Blue	4540715	1200
	FEMALE HOLDER POLARIZED	3	PA66 GF30	Grey	4540735	1200
1a	SECONDARY LOCK		PA66 GF30	Yellow	4545800	1200
2a	SECONDARY LOCK		PA66	Yellow	4545100	10000
2b	CPA		PA66 GF30	Yellow	4545300	2400

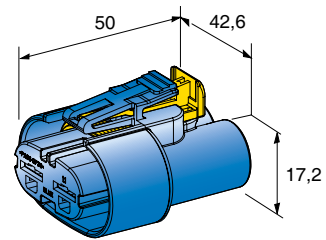
CONNECTIONS AND FIXINGS



2-WAY POWER WATERPROOF



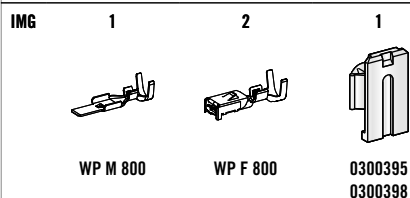
1



2

IMG	DESCRIPTION	WAY	MATERIAL	COLOUR	P/N BULK	MOQ
1	MALE HOLDER	2	PA66 GF30	Blue	4540210	600
	MALE HOLDER	2	PA66 GF30	Green	4540211	600
	MALE HOLDER	2	PA66 GF30	Black	4540212	600
2	FEMALE HOLDER WITH GASKET AND CPA	2	PA66 GF30	Blue	4540110	500
	FEMALE HOLDER WITH GASKET AND CPA	2	PA66 GF30	Green	4540111	500
	FEMALE HOLDER WITH GASKET AND CPA	2	PA66 GF30	Black	4540112	500

CONNECTIONS AND FIXINGS



2, 3, 4-WAY POWER WATERPROOF

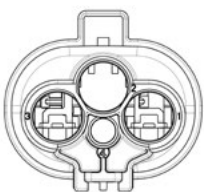


1

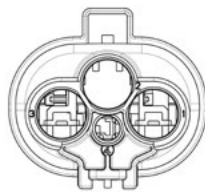


2

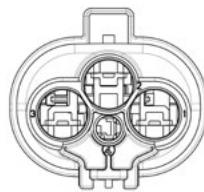
IMG	DESCRIPTION	WAY	MATERIAL	COLOUR	P/N BULK	MOQ
1	MALE HOLDER	2	PA66 GF30	■ Black	4551900	500
	MALE HOLDER	3	PA66 GF30	■ Black	4540817	500
	MALE HOLDER	4	PA66 GF30	■ Black	4551899	500
2	FEMALE HOLDER WITH GASKET	3	PA66 GF30	■ Black	4540816	500
	FEMALE HOLDER WITH GASKET	4	PA66 GF30	■ Black	4551897	500



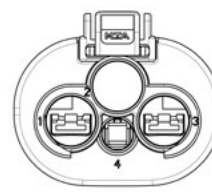
2 WAY



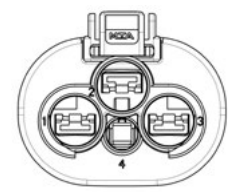
3 WAY



4 WAY



3 WAY



4 WAY

CONNECTIONS AND FIXINGS

IMG 1 (2-3-4 - WAY)



M630 WP

1 (3-4 - WAY)



JPT WP M280

2 (2-3-4 - WAY)



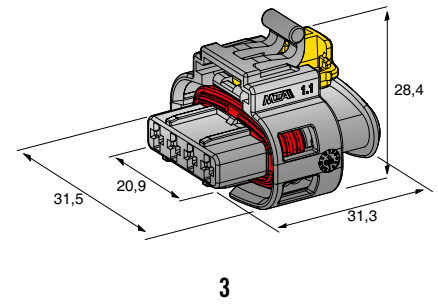
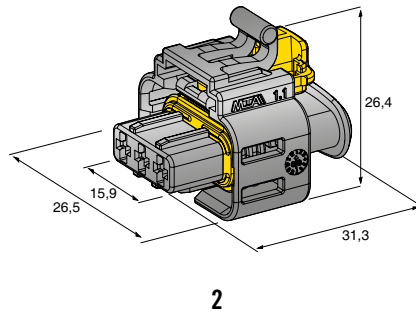
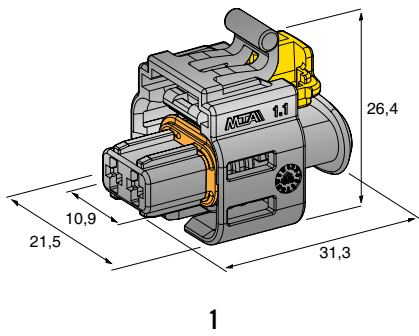
F630E WP

2 (3-4 - WAY)

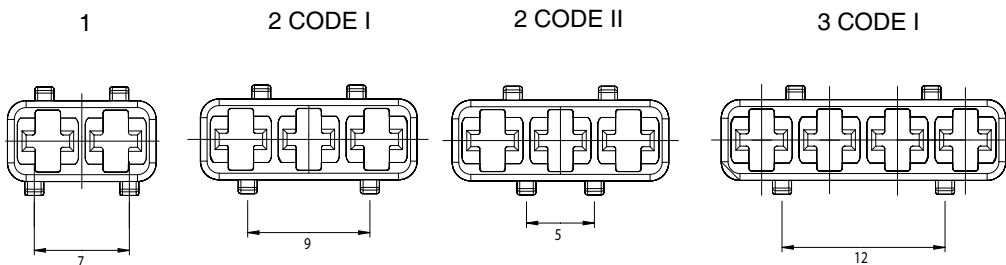


F280 WP

HP6 2,3 & 4-WAY



IMG	DESCRIPTION	WAY	MATERIAL	COLOUR	P/N BULK	MOQ
1	FEMALE HOLDER	2	PA66 GF30	■ Black	4510840	2500
2	FEMALE HOLDER CODE I	3	PA66 GF30	■ Black	4510881	2000
	FEMALE HOLDER CODE II	3	PA66 GF30	■ Black	4510880	2000
3	FEMALE HOLDER CODE I	4	PA66 GF30	■ Black	4510891	1600



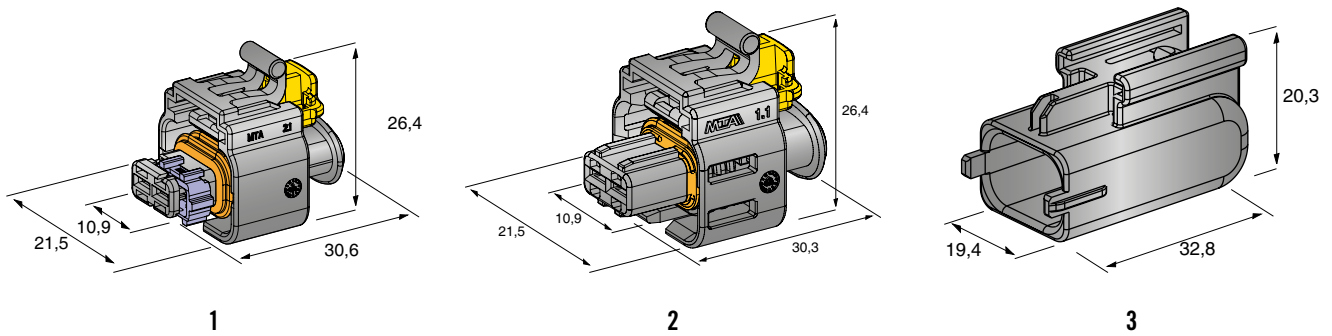
CONNECTIONS AND FIXINGS

IMG 1+2+3

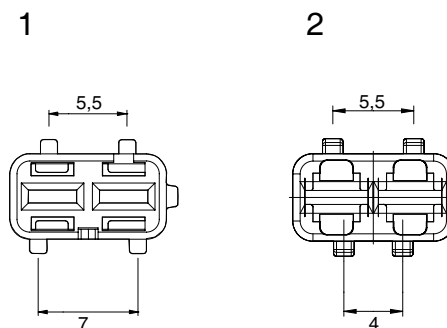


HP6 280

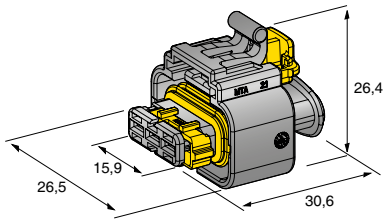
C 280 2-WAY



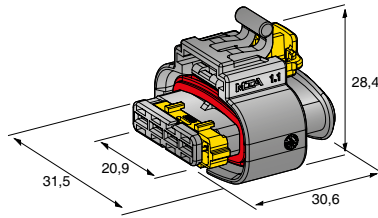
IMG	DESCRIPTION	WAY	MATERIAL	COLOUR	S.LOCK COLOUR	P/N BULK	MOQ
1	F. HOLDER FOR BDK & BSK TERMINALS	2	PA66 GF30	■ Black	■ Violet	4510801	2500
2	F. HOLDER FOR JPT TERMINALS	2	PA66 GF30	■ Black		4510830	2500
3	CAP FOR CONNECTORS 4510801/830	2	PA66 GF30	■ Black		4510802	2000



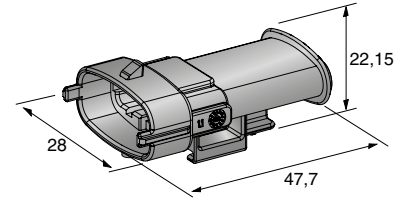
C 280 3&4-WAY



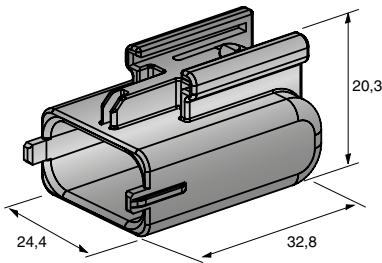
1



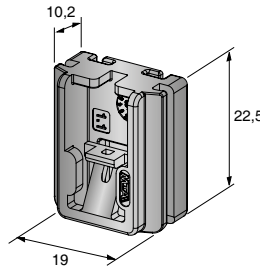
2



3



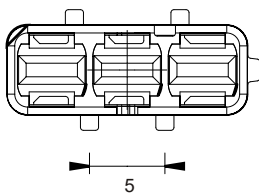
4



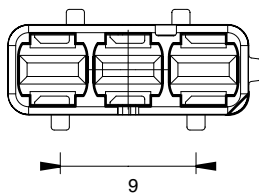
5

IMG	DESCRIPTION	WAY	MATERIAL	COLOUR	S.LOCK COLOUR	P/N BULK	MOQ
1	F. HOLDER FOR BDK & BSK TERMINALS	3	PA66 GF30	■ Black	■ Yellow	4510810	2000
	F. HOLDER FOR BDK & BSK TERMINALS	3	PA66 GF30	■ Black	■ Violet	4510811	2000
2	F. HOLDER FOR BDK & BSK TERMINALS	4	PA66 GF30	■ Black	■ Yellow	4510820	1600
	F. HOLDER FOR BDK & BSK TERMINALS	4	PA66 GF30	■ Black	■ Violet	4510821	1600
3	MALE HOLDER FOR 4510821	4	PA66 GF30	■ Black		4510921	2000
4	CAP FOR CONNECTORS 4510810/811	3	PA66 GF30	■ Black		4510812	2800
5	ADAPTER FOR 4510921		PA66 GF30	■ Black		0300489	2500

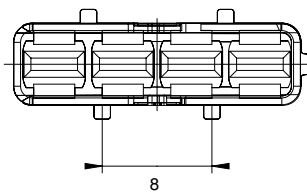
1 YELLOW



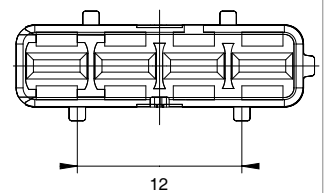
1 VIOLET



2 YELLOW



2 VIOLET



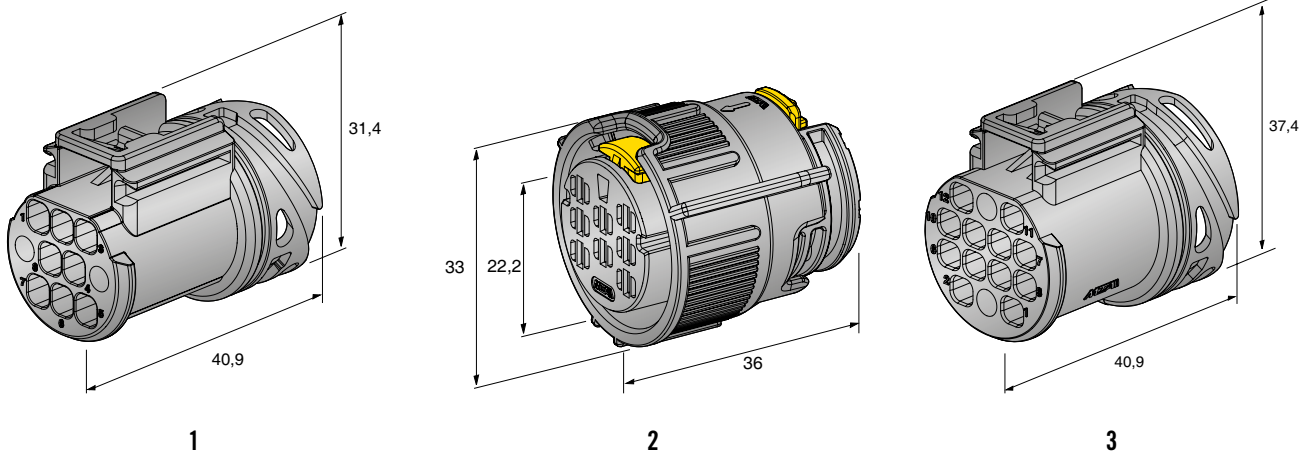
CONNECTIONS AND FIXINGS

IMG 3



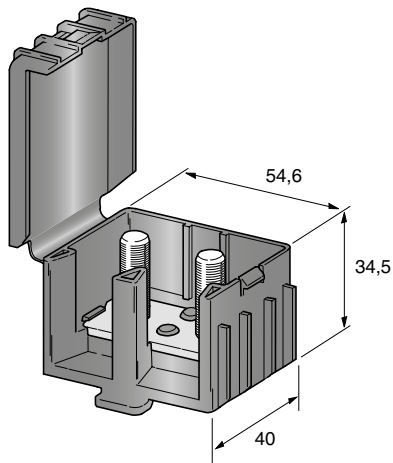
0300489

RC 280 8 AND 12-WAY

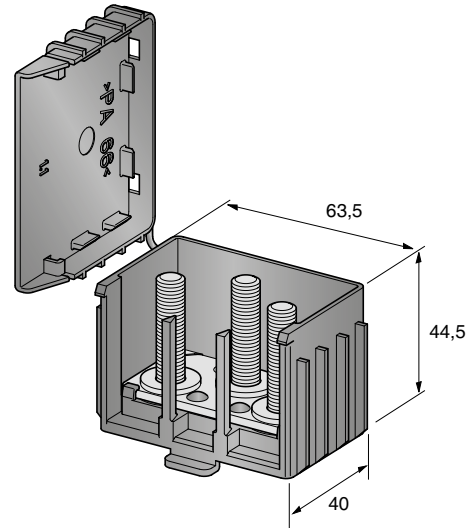


IMG	DESCRIPTION	WAY	MATERIAL	COLOUR	P/N BULK	MOQ
1	MALE HOLDER FOR TABS 2,8 x 0,8	8	PA66 GF30	■ Black	4510970	500
2	FEMALE HOLDER FOR BDK & BSK TERMINALS	8	PA66 GF30	■ Black	4510870	120
3	MALE HOLDER FOR TABS 2,8 x 0,8	12	PA66 GF30	■ Black	4510975	350

JOINT



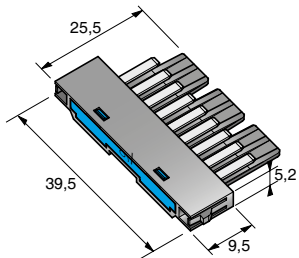
1



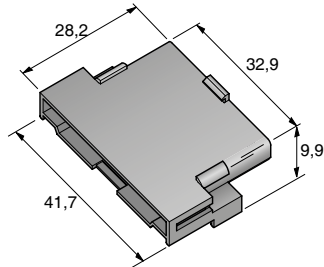
2

IMG	DESCRIPTION	SCREW	WAY	MATERIAL	COLOUR	P/N BULK	MOQ
1	BRANCH KNOT M 88	M 88	2	PA66	■ Black	4541100	100
2	BRANCH KNOT M 888	M 888	3	PA66	■ Black	4541200	100
	BRANCH KNOT M 666	M 666	3	PA66	■ Black	4541202	100
	BRANCH KNOT M 555	M 555	3	PA66	■ Black	4541201	100

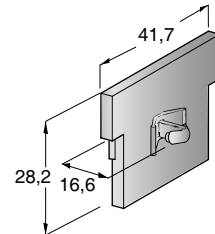
JOINT 9-WAY AND 18-WAY



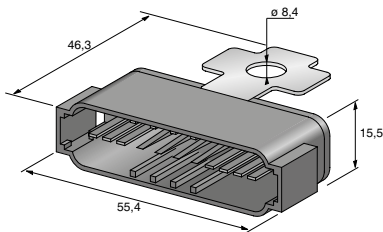
1



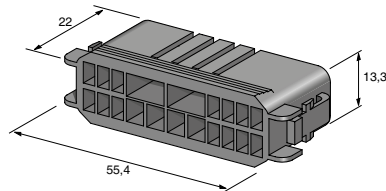
2



3



4



5

IMG	DESCRIPTION	WAY	MATERIAL	COLOUR	COVER COLOUR	P/N BULK	MOQ
1	MALE HOLDER	9	PA66 GF13	■ Black	■ Blue	4551610	2500
	MALE HOLDER	6+3	PA66 GF13	■ Black	■ Yellow	4551611	2500
	MALE HOLDER	5+4	PA66 GF13	■ Black	■ Red	4551612	2500
	MALE HOLDER	3+3+3	PA66 GF13	■ Black	■ Green	4551613	2500
2	FEMALE HOLDER	9	PBT	■ Black		4551605	2500
3	FIXING PLATE		PA66	■ Black		0300397	1000
4	EARTH MALE HOLDER	18	PA66 GF30	■ Black		4510125	300
5	FEMALE HOLDER	18	PA66 GF30	■ Black		4510120	1500

CONNECTIONS AND FIXINGS

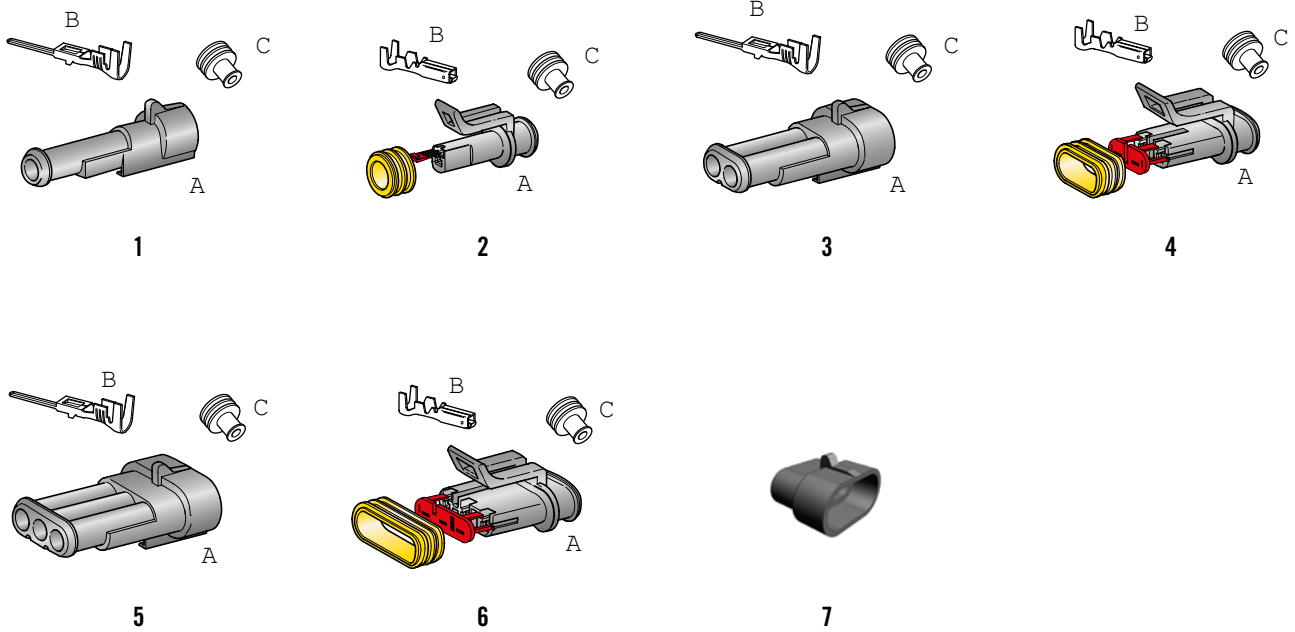
IMG

5



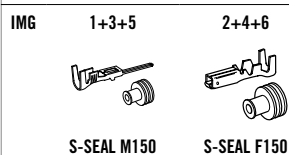
JPT F280

SUPERSEAL 1,5

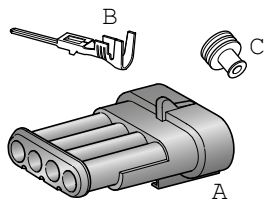


IMG	DESCRIPTION	WAY	MATERIAL	COLOUR	P/N BOX	MOQ
1	S-SEAL 1,5 MALE HOLDER	1	PA 66	■ Black	4423610	10
	KIT A+B+C	1	PA 66		3050123	1
2	S-SEAL 1,5 FEMALE HOLDER	1	PA 66	■ Black	4423620	10
	KIT A+B+C	1	PA 66		3050124	1
3	S-SEAL 1,5 MALE HOLDER	2	PA 66	■ Black	4423630	10
	KIT A+B+C	2	PA 66		3050125	1
4	S-SEAL 1,5 FEMALE HOLDER	2	PA 66	■ Black	4423640	10
	KIT A+B+C	2	PA 66		3050126	1
5	S-SEAL 1,5 MALE HOLDER	3	PA 66	■ Black	4423650	10
	KIT A+B+C	3	PA 66		3050127	1
6	S-SEAL 1,5 FEMALE HOLDER	3	PA 66	■ Black	4423660	10
	KIT A+B+C	3	PA 66		3050128	1
7	CAVITY PLUG FOR 3-WAY FEMALE HOLDER 4423650	3	PA 66	■ Black	9450300	2000

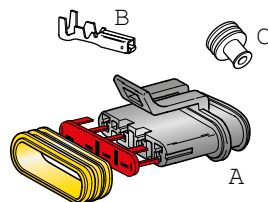
CONNECTIONS AND FIXINGS



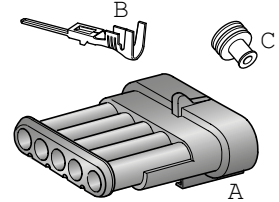
SUPERSEAL 1,5



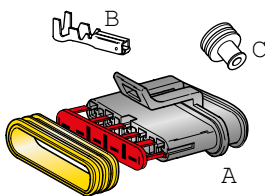
1



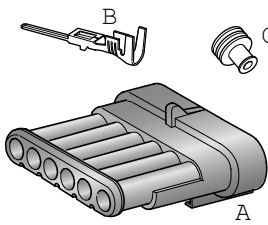
2



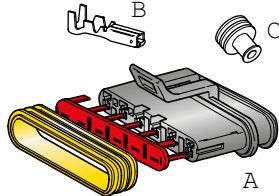
3



4



5



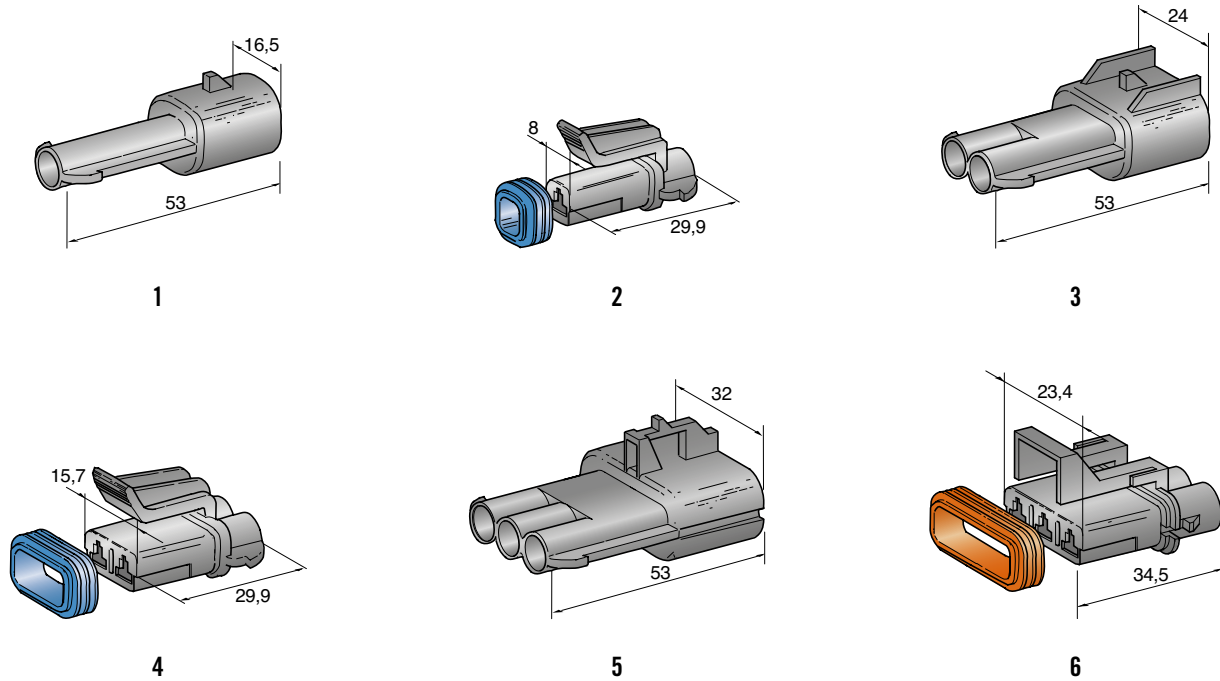
6

IMG	DESCRIPTION	WAY	MATERIAL	COLOUR	P/N BOX	MOQ
1	S-SEAL 1,5 MALE HOLDER	4	PA 66	■ Black	4423670	10
	KIT A+B+C	4	PA 66		3050129	1
2	S-SEAL 1,5 FEMALE HOLDER	4	PA 66	■ Black	4423680	10
	KIT A+B+C	4	PA 66		3050130	1
3	S-SEAL 1,5 MALE HOLDER	5	PA 66	■ Black	4423690	10
	KIT A+B+C	5	PA 66		3050131	1
4	S-SEAL 1,5 FEMALE HOLDER	5	PA 66	■ Black	4423700	10
	KIT A+B+C	5	PA 66		3050132	1
5	S-SEAL 1,5 MALE HOLDER	6	PA 66	■ Black	4423710	10
	KIT A+B+C	6	PA 66		3050133	1
6	S-SEAL 1,5 FEMALE HOLDER	6	PA 66	■ Black	4423720	10
	KIT A+B+C	6	PA 66		3050134	1

CONNECTIONS AND FIXINGS

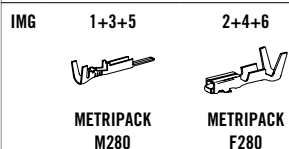
IMG	1+3+5	2+4+6
	S-SEAL M150	S-SEAL F150

SEAL 2,8 & 6,3

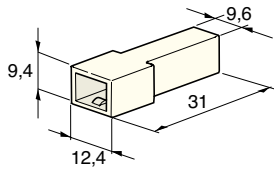


IMG	DESCRIPTION	WAY	MATERIAL	COLOUR	P/N BOX	MOQ
1	SEAL 2,8 MALE HOLDER	1	PA 66	■ Black	4423520	5
2	SEAL 2,8 FEMALE HOLDER	1	PA 66	■ Black	4423510	5
3	SEAL 2,8 MALE HOLDER	2	PA 66	■ Black	4423540	5
4	SEAL 2,8 FEMALE HOLDER	2	PA 66	■ Black	4423530	5
5	SEAL 2,8 MALE HOLDER	3	PA 66	■ Black	4423560	5
6	SEAL 2,8 FEMALE HOLDER	3	PA 66	■ Black	4423550	5

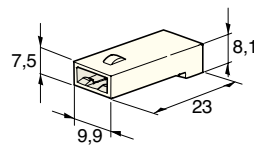
CONNECTIONS AND FIXINGS



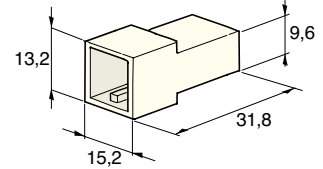
MULTIPLE 6,3



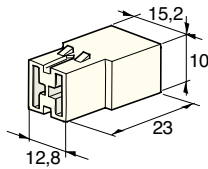
1



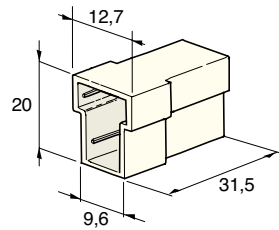
2



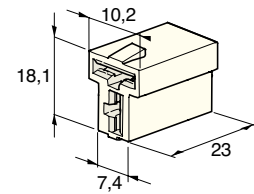
3



4



5



6

IMG	DESCRIPTION	WAY	MATERIAL	COLOUR	P/N BOX	MOQ	P/N BULK	MOQ
1	MALE HOLDER	1	PA	<input type="checkbox"/> Neutral	4410150	100	4510150	2500
2	FEMALE HOLDER	1	PA	<input type="checkbox"/> Neutral	4410160	100	4510160	2500
3	MALE HOLDER	2	PA	<input type="checkbox"/> Neutral	4410170	50	4510170	2500
4	FEMALE HOLDER	2	PA	<input type="checkbox"/> Neutral	4410180	50	4510180	2500
5	MALE HOLDER	2	PA	<input type="checkbox"/> Neutral	4410190	50	4510190	2500
6	FEMALE HOLDER	2	PA	<input type="checkbox"/> Neutral	4410200	50	4510200	2500

CONNECTIONS AND FIXINGS

IMG 1+3+5 2+4+6

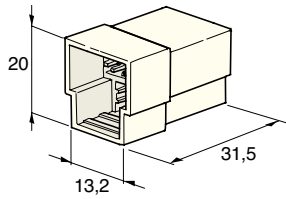


FASTON M630
W/LOCK.NOTCH

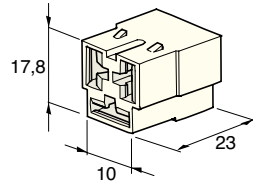


FASTON F630
W/LOCK.NOTCH

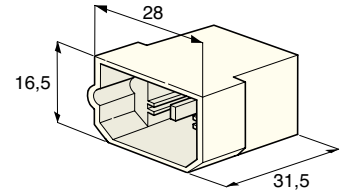
MULTIPLE 6,3



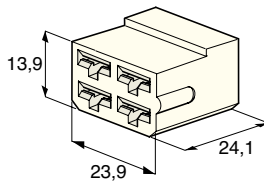
1



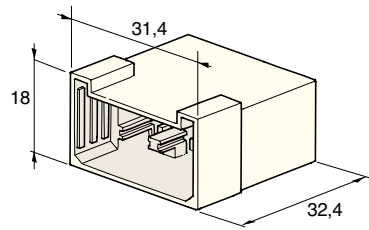
2



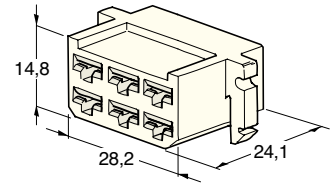
3



4



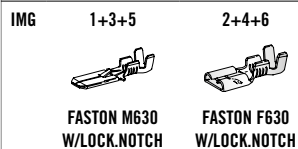
5



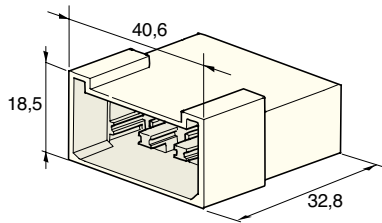
6

IMG	DESCRIPTION	WAY	MATERIAL	COLOUR	P/N BOX	MOQ	P/N BULK	MOQ
1	MALE HOLDER	3	PA	<input type="checkbox"/> Neutral	4410210	50	4510210	2500
2	FEMALE HOLDER	3	PA	<input type="checkbox"/> Neutral	4410220	50	4510220	2500
3	MALE HOLDER	4	PA	<input type="checkbox"/> Neutral	4410230	25	4510230	2500
4	FEMALE HOLDER	4	PA	<input type="checkbox"/> Neutral	4410240	25	4510240	2500
5	MALE HOLDER	6	PA	<input type="checkbox"/> Neutral	4410250	25	4510250	1000
6	FEMALE HOLDER	6	PA	<input type="checkbox"/> Neutral	4410260	25	4510260	1000

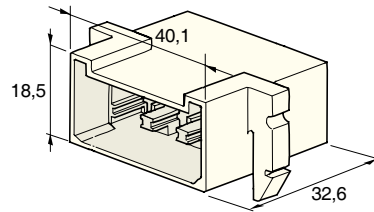
CONNECTIONS AND FIXINGS



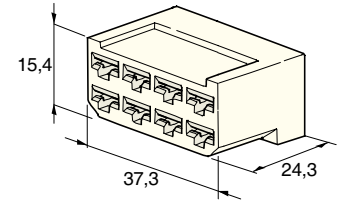
MULTIPLE 6,3



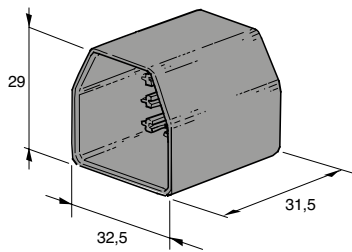
1



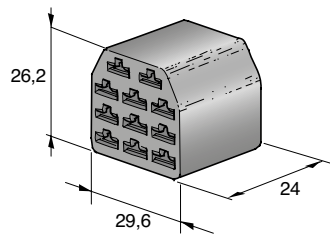
2



3



4



5

IMG	DESCRIPTION	WAY	MATERIAL	COLOUR	P/N BOX	MOQ	P/N BULK	MOQ
1	MALE HOLDER	8	PA	☐ Neutral	4410270	20	4510270	1000
2	MALE HOLDER	8	PA	☐ Neutral	4410290	10	4510290	1000
3	FEMALE HOLDER	8	PA	☐ Neutral	4410280	20	4510280	1000
4	MALE HOLDER	11	PA	■ Black	4410295	20	4510295	300
5	FEMALE HOLDER	11	PA	■ Black	4410296	20	4510296	500

CONNECTIONS AND FIXINGS

IMG

1+2+4

3+5

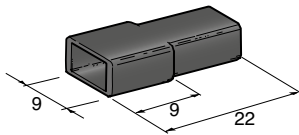


FASTON M630
W/LOCK.NOTCH

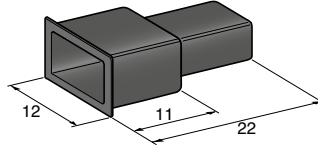


FASTON F630
W/LOCK.NOTCH

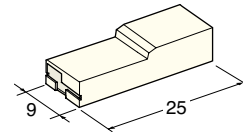
TERMINAL COVERS



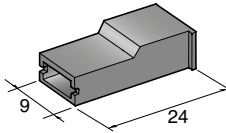
1



2



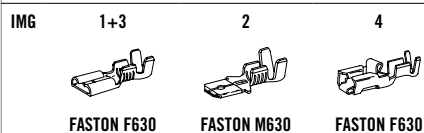
3



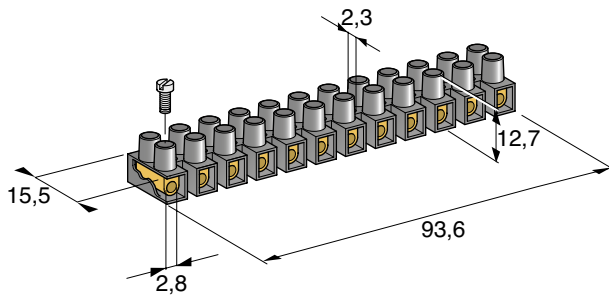
4

IMG	DESCRIPTION	MATERIAL	COLOUR	P/N BOX	MOQ
1	FEMALE 6,3 COVER	PE	Black	4410070	200
	FEMALE 6,3 COVER	PE	Yellow	4410072	200
	FEMALE 6,3 COVER	PE	Blue	4410073	200
	FEMALE 6,3 COVER	PE	Red	4410074	200
	FEMALE 6,3 COVER	PE	Neutral	4410076	200
2	MALE 6,3 COVER	PE	Black	4410080	200
	MALE 6,3 COVER	PE	Red	4410084	200
	MALE 6,3 COVER	PE	Neutral	4410086	200
3	FEMALE 6,3 COVER	PA	Neutral	4410077	200
4	FEMALE 6,3 COVER	PA	Black	4420800	50

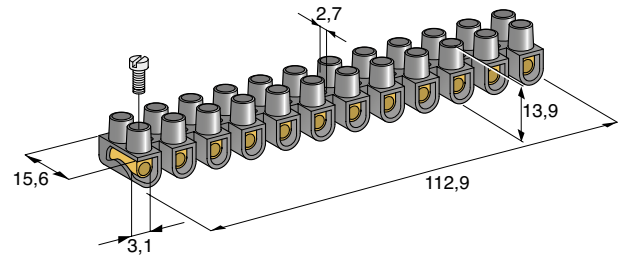
CONNECTIONS AND FIXINGS



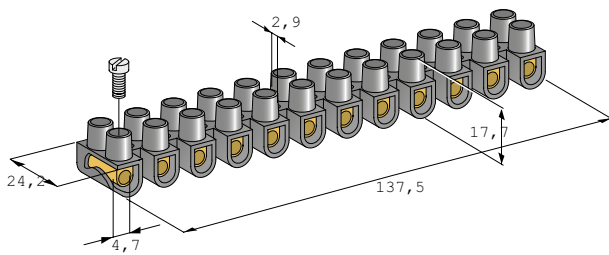
CONNECTOR STRIPS



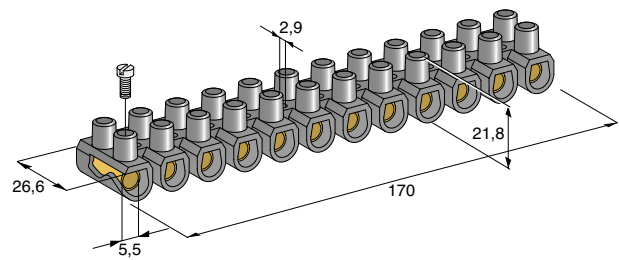
1



2



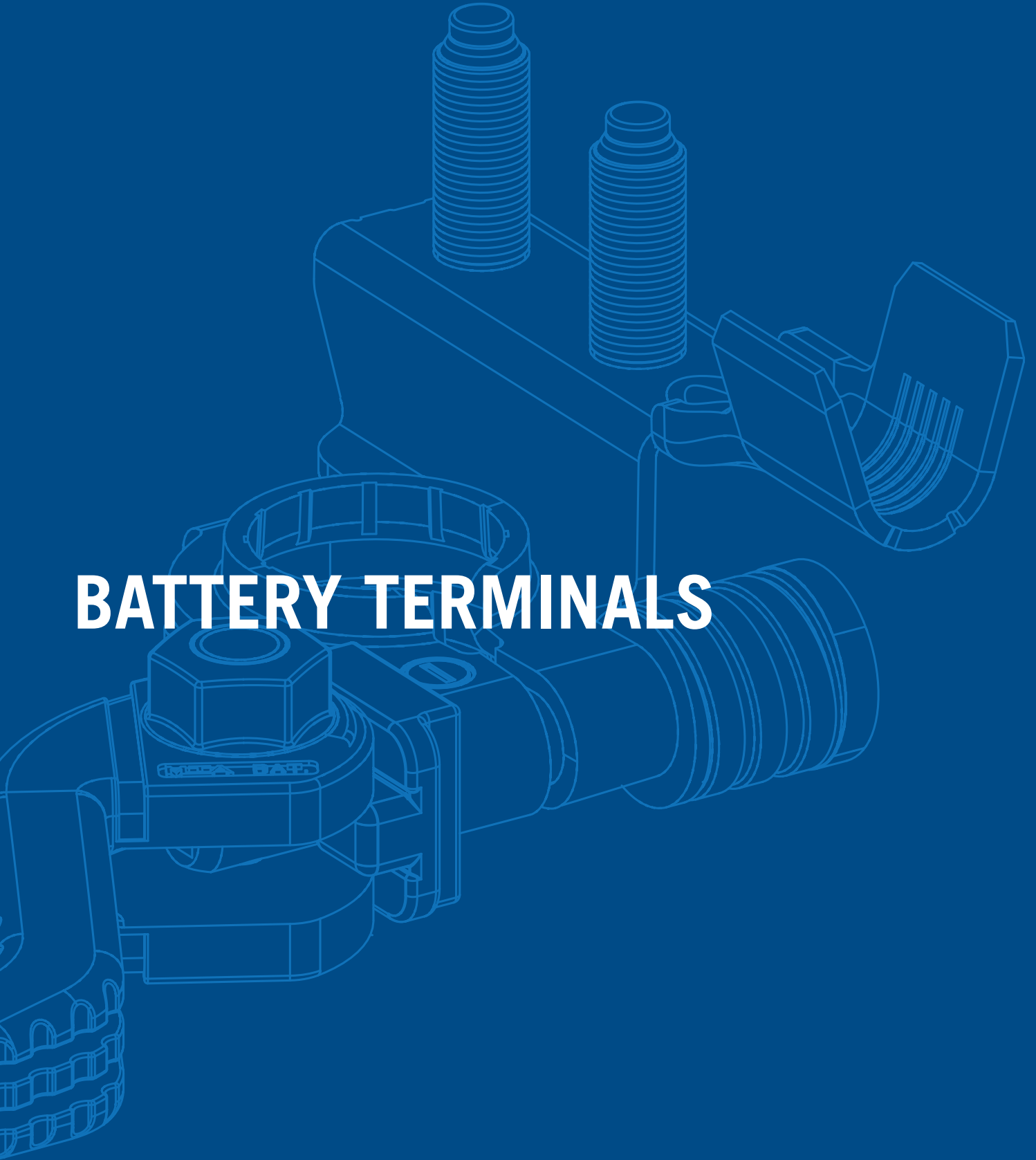
3



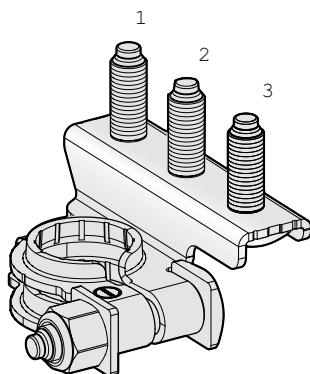
4

IMG	DESCRIPTION	WAY	MATERIAL	VOLT	In	OPERATION TEMP	CABLE SECTION mm ²	P/N BOX	MOQ
1	CONNECTOR STRIP	12	PP Black	380	24A	85°C	2,5	4430100	10
2	CONNECTOR STRIP	12	PP Black	380	24A	85°C	6	4430110	10
3	CONNECTOR STRIP	12	PP Black	450	24A	85°C	12	4430120	10
4	CONNECTOR STRIP	12	PP Black	450	24A	85°C	16	4430130	10

BATTERY TERMINALS

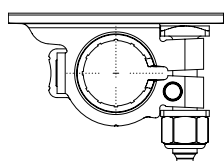


DOUBLE RING

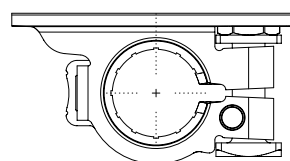


1

IMG	DESCRIPTION	POLARITY	SCREW 1	SCREW 2	SCREW 3	MATERIAL	MATERIAL THICKNESS mm	P/N BOX WITH NUTS	MOQ	P/N BULK	MOQ
1	M686DX	+	M6	M8	M6	CuZn-Sn	1,5	1507701	10	1507700	200
	M686DX	-	M6	M8	M6	CuZn-Sn	1,5	1507704	10	1507705	250
	M666DX	+	M6	M6	M6	CuZn-Sn	1,5			1507703	200
	M666DX	-	M6	M6	M6	CuZn-Sn	1,5			1507707	220
	M666SX	+	M6	M6	M6	CuZn-Sn	1,5			1507708	220
	M666SX	-	M6	M6	M6	CuZn-Sn	1,5			1507736	200
	M080SX	+	/	M8	/	CuZn-Sn	1,5			1507760	250
	M606DX	+	M6	/	M6	CuZn-Sn	1,5			1507772	250
	M606SX	+	M6	/	M6	CuZn-Sn	1,5			1507771	250
	M868DX	+	M8	M6	M8	CuZn-Sn	1,5			1507790	200
	M868SX	+	M8	M6	M8	CuZn-Sn	1,5			1508001	180

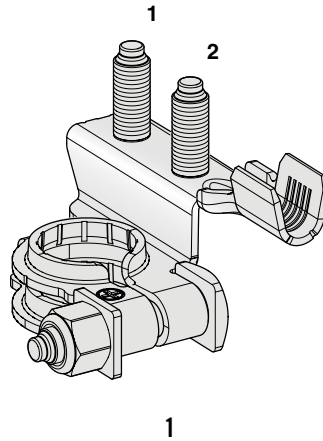


DX

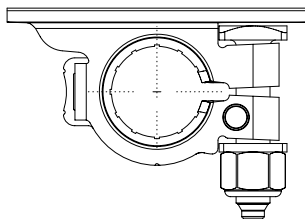


SX

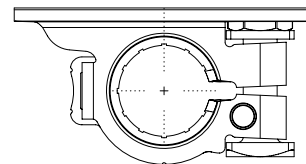
DOUBLE RING



IMG	DESCRIPTION	POLARITY	SCREW 1	SCREW 2	WIRE SECTION mm ²	MATERIAL	MATERIAL THICKNESS mm	P/N BULK	MOQ
1	M66DX	+	M6	M6	10÷20	CuZn-Sn	1,3	1507800	200
	M66DX	+	M6	M6	25÷40	CuZn-Sn	1,3	1507820	200
	M66DX	-	M6	M6	25÷40	CuZn-Sn	1,3	1507875	200

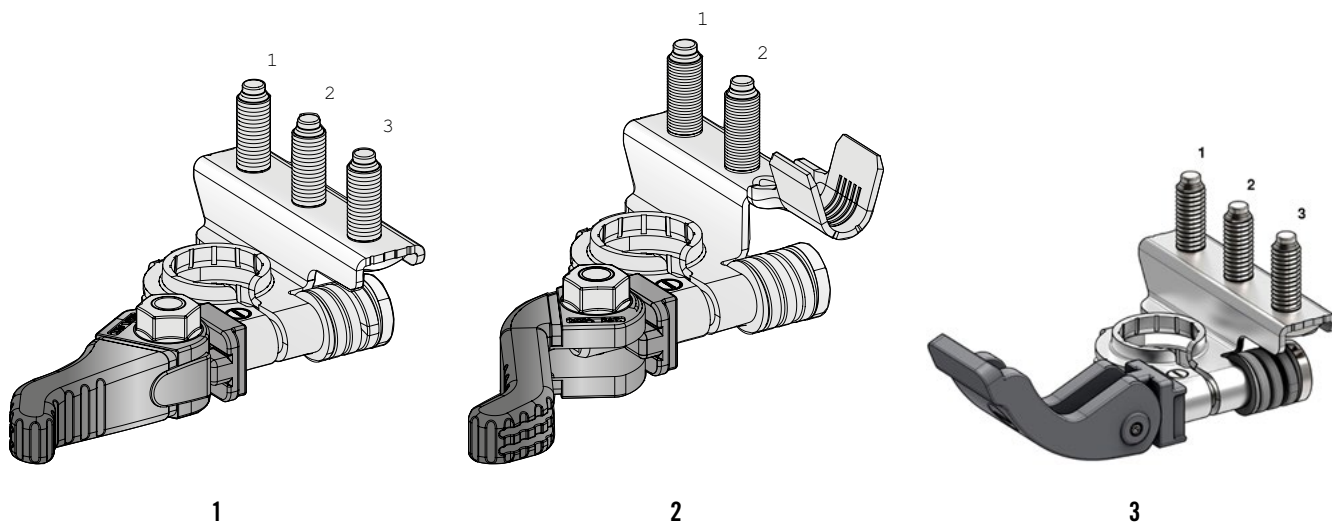


DX

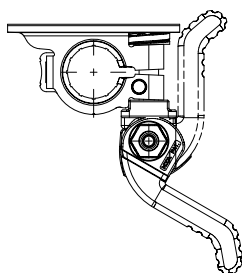


SX

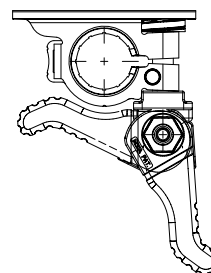
QUICK LOCK



IMG.	DESCRIPTION	POLARITY	SCREW 1	SCREW 2	SCREW 3	WIRE SECTION mm ²	MATERIAL	MATERIAL THICKNESS mm	P/N BULK	MOQ
1	M666SX	-	M6	M6	M6		CuZn-Sn	1,5	1507905	130
	M666SX	+	M6	M6	M6		CuZn-Sn	1,5	1507975	130
	M666DX	-	M6	M6	M6		CuZn-Sn	1,5	1507915	130
2	M66DX	-	M6	M6		10÷20	CuZn-Sn	1,3	1507925	130
	M66DX	-	M6	M6		25÷40	CuZn-Sn	1,3	1507955	130
	M60DX	-	M6			10÷20	CuZn-Sn	1,3	1507946	100
	M66DX	-	M6	M6		AWG1	CuZn-Sn	1,3	1507957	200
3	VQR	-	M6	M6	M6		CuZn33-Sn	1,5	1507601	100

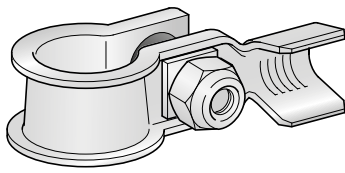


DX



SX

STRIP TYPE

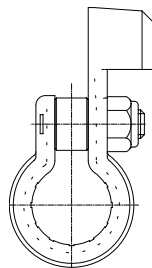


1

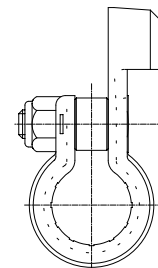


2

IMG	DESCRIPTION	POLARITY	SCREW 1	WIRE SECTION mm ²	MATERIAL	MATERIAL THICKNESS mm	P/N BULK	MOQ
1	STRIP DX	-		10÷20	CuZn-Sn	1,2	1506655	400
	STRIP DX	-		25÷40	CuZn-Sn	1,2	1506665	400
	STRIP SX	-		10÷20	CuZn-Sn	1,2	1506658	400
	STRIP SX	-		25÷40	CuZn-Sn	1,2	1506668	400
	STRIP DX	+		10÷20	CuZn-Sn	1,2	1506720	400
	STRIP DX	+		25÷40	CuZn-Sn	1,2	1506730	400
2	STRIP SX	-	M8		CuZn-Sn	1,2	1506678	400

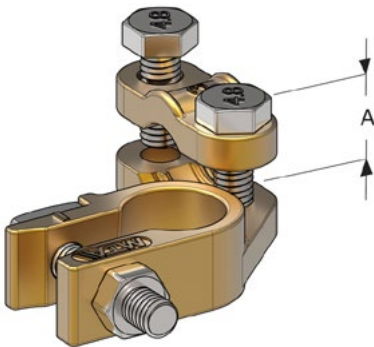


DX

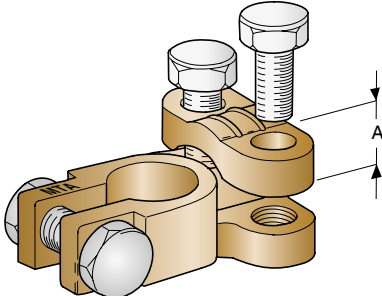


SX

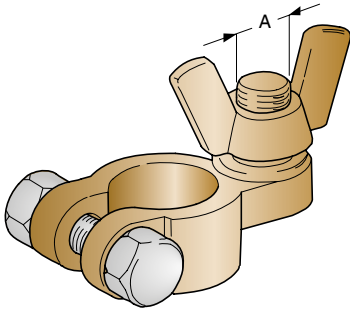
DIE CAST



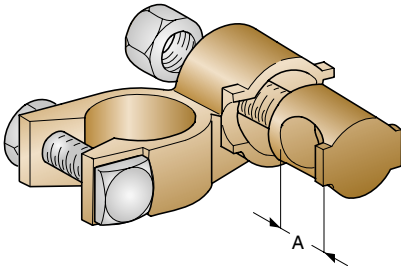
1



2



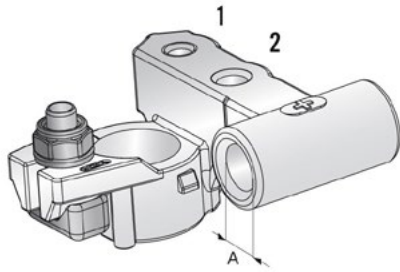
3



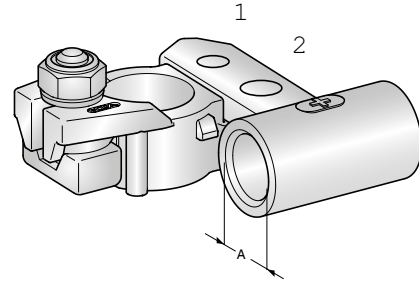
4

IMG	DESCRIPTION	POLARITY	WIRE SECTION mm ²	MATERIAL	A mm ²	P/N BOX	MOQ
1	DIE CAST	+		BRASS	25÷50	1506100	25
	DIE CAST	-		BRASS	25÷50	1506110	25
2	DIE CAST	+		BRASS	25÷50	1506270	25
	DIE CAST	-		BRASS	25÷50	1506280	25
3	DIE CAST	+		BRASS	M10	1506120	25
	DIE CAST	-		BRASS	M8	1506130	25
4	BATTERY TERMINAL	+	25	BRASS		1506250	25
	BATTERY TERMINAL	-	25	BRASS		1506260	25

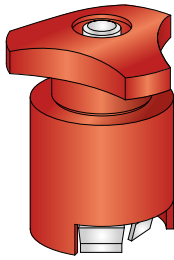
DIE CAST & FRENCH TYPES



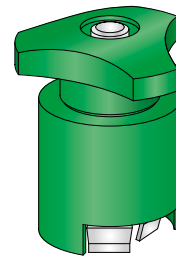
1



2



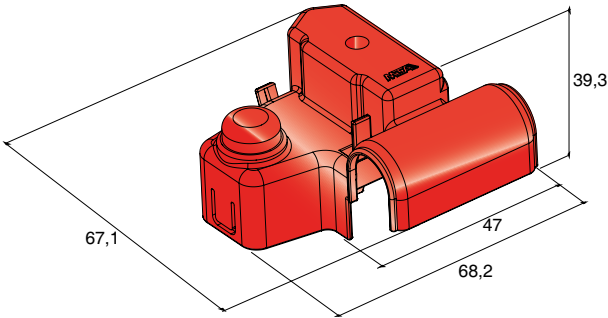
3



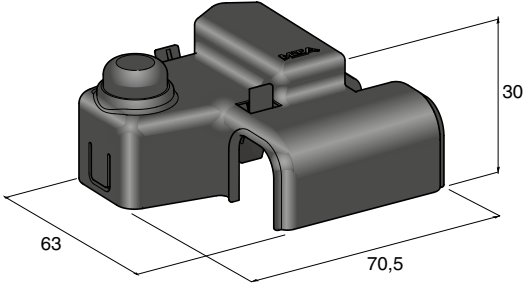
4

IMG	DESCRIPTION	POLARITY	SCREW 1	SCREW 2	A mm ²	MATERIAL	COLOUR	P/N BULK	MOQ
1	DIE CAST	+	M6	M8	50	BRASS Sn		1506765	70
2	DIE CAST	+	M6	M8	70	BRASS Sn		1506740	150
	DIE CAST	-	M6	M8	50	BRASS Sn		1506760	150
3	BATTERY TERMINAL	+	-			PE - NYLON	■ RED	1506200	25
4	BATTERY TERMINAL	-	-			PE - NYLON	■ GREEN	1506210	25

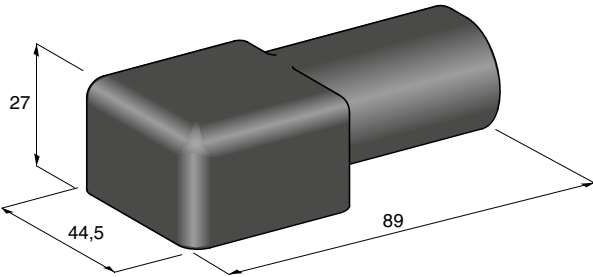
PROTECTION COVERS



1

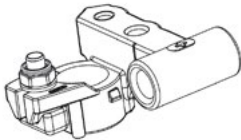


2

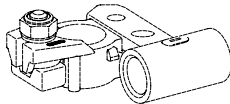


3

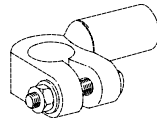
IMG	DESCRIPTION	POLARITY	MATERIAL	COLOUR	P/N BULK	MOQ
1	COVER FOR 1506765	+	PP	Red	4510499	500
2	COVER FOR 150674X	+	PP	Red	4510496	500
	COVER FOR 150676X	-	PP	Black	4510497	500
3	COVER		EPDM	Black	4510495	500



1

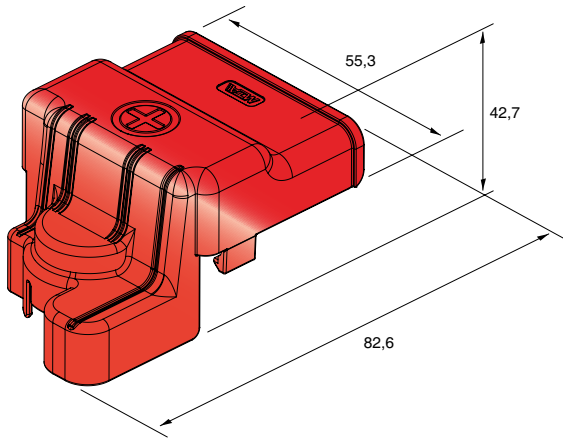


2

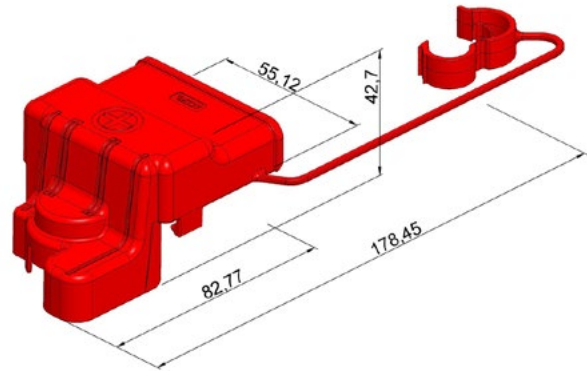


3

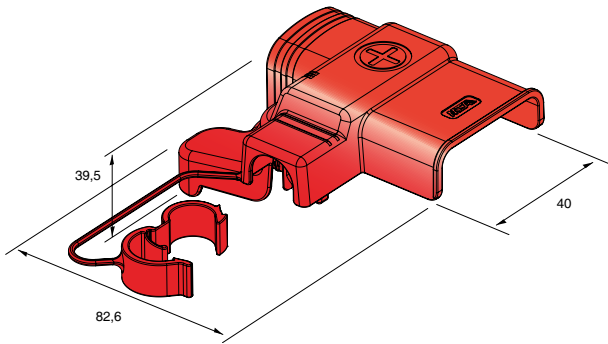
PROTECTION COVERS



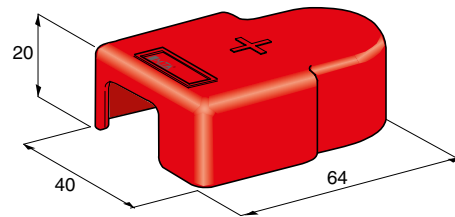
1



2

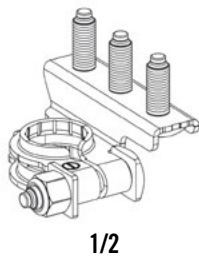


3

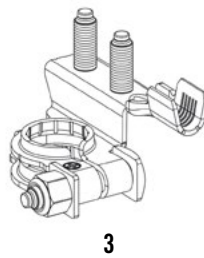


4

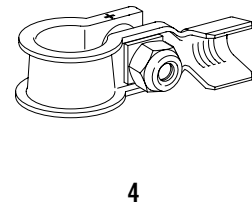
IMG	DESCRIPTION	POLARITY	MATERIAL	COLOUR	P/N BULK	MOQ
1	COVER FOR 15077XX	+	PP	Red	4510503	100
NEW 2	COVER FOR 15077XX e 1508001	+	PP	Red	0301466	TBD
3	COVER FOR 15078XX	+	PP	Red	4510502	100
4	COVER FOR 1506720/21/30/31	+	PP	Red	4510480	500



1/2



3

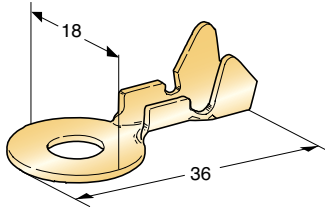


4

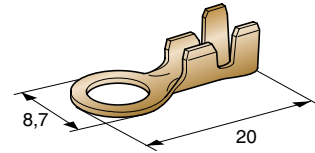


TERMINALS

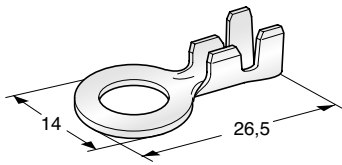
STANDARD RING



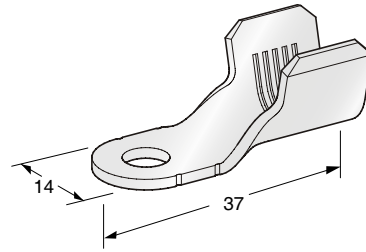
1



2



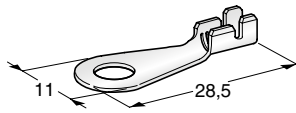
3



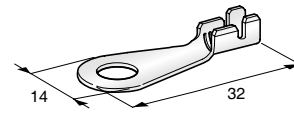
4

IMG	DESCRIPTION	SCREW	WIRE SECTION mm ²	MATERIAL	MATERIAL THICKNESS mm	P/N BOX	MOQ	P/N BULK	MOQ
1	UNI679 L35	M10	4÷6	CuZn	0,7	1602550	100		
2	STD L22	M4	1÷2,5	CuZn	0,6	1602970	100		
	STD L22	M5	1÷2,5	CuZn	0,6	1602980	100		
	STD L22	M6	1÷2,5	CuZn	0,6	1602981	100		
3	STD L26	M6	3÷6	CuZn	0,8	1602990	100		
	STD L26	M8	3÷6	CuZn	0,8	1603000	100		
4	STD L37	M6	25÷40	CuZn-Sn	1,5			1609000	2000

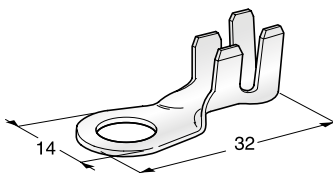
GROUND



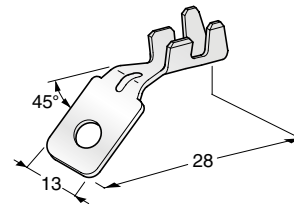
1



2



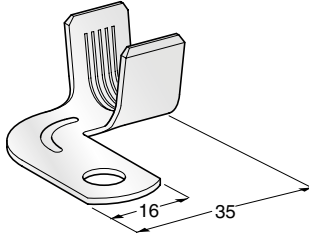
3



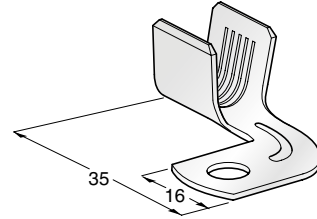
4

IMG	DESCRIPTION	SCREW	WIRE SECTION mm ²	MATERIAL	MATERIAL THICKNESS mm	P/N REEL	MOQ
1	GND L28	M5	0,5÷1,5	CuZn-Sn	0,6	1706740	12000
	GND-FLY L28	M5	0,5÷1,5	CuZn-Sn	0,6	1706741	12000
2	GND L32	M6	1÷2,5	CuZn-Sn	0,8	1706720	6000
	GND L32	M6	4÷6	CuZn-Sn	0,8	1706700	4500
	GND L32	M6	8÷10	CuZn-Sn	0,8	1706750	2400
	GND L32	M8	1÷2,5	CuZn-Sn	0,8	1706730	6000
	GND L32	M8	4÷6	CuZn-Sn	0,8	1706710	4500
	GND L32	M8	8÷10	CuZn-Sn	0,8	1706760	2400
3	GND FLY L32	M6	1÷2,5	CuZn-Sn	0,8	1706721	6000
	GND FLY L32	M6	3÷6	CuZn-Sn	0,8	1706701	4500
	GND FLY L32	M8	1÷2,5	CuZn-Sn	0,8	1706731	6000
	GND FLY L32	M8	3÷6	CuZn-Sn	0,8	1706711	4500
4	GND 188 G45	M5	2,5÷6	CuZn-Sn	0,8	1708160	3600

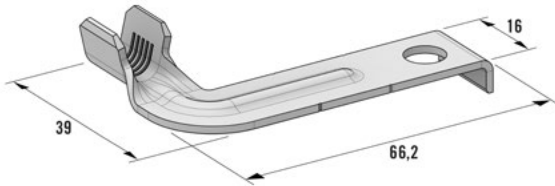
CBA - CVT



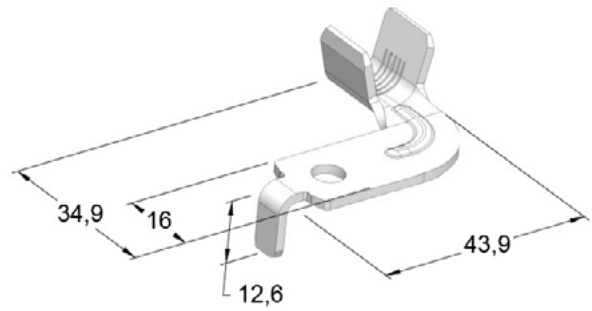
1



2



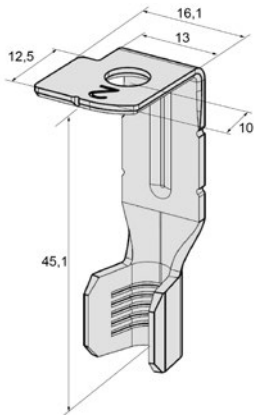
3



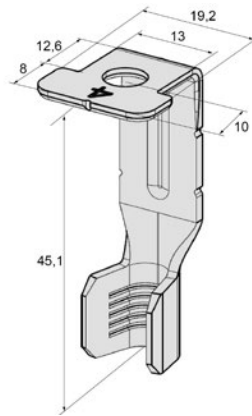
4

IMG	DESCRIPTION	SCREW	WIRE SECTION mm ²	MATERIAL	MATERIAL THICKNESS mm	P/N BOX	MOQ	P/N REEL	MOQ
1	CBA FL 90	M8	10÷20	CuZn-Sn	1,5			1708170	800
	CBA FL 90	M6	10÷20	CuZn-Sn	1,5			1708175	1000
	CBA FL 90	M6	25÷42	CuZn-Sn	1,5	1604300	1500		
	CBA FL 90	M8	25÷42	CuZn-Sn	1,5			1708210	600
NEW	CBA FL 90 POST PLATED	M8	25÷42	CuZn-Sn	1,5			1600072	600
	CBA FL 90	M6	25÷42	CuZn-Sn	1,5			1708215	800
	CBA FL 90	M8	50÷70	CuZn-Sn	1,8			1708230	600
NEW	CBA FL 90 POST PLATED	M8	50÷70	CuZn-Sn	1,8			1600070	600
	CBA FL 90	M6	50	CuZn-Sn	1,8			1708231	600
2	CBA SX FL90	M6	20÷40	CuZn-Sn	1,8			1708325	600
	CBA SX FL90	M8	20÷40	CuZn-Sn	1,8			1708320	600
	CBA SX FL90	M6	50÷70	CuZn-Sn	1,8			1708315	600
	CBA SX FL90	M8	50÷70	CuZn-Sn	1,8			1708310	600
NEW	CBA FL 90 POST PLATED	M8	50÷70	CuZn-Sn	1,8			1600070	600
3	CBA J81 L4	M8	10÷20	Cu-Sn	1,8	1609200	350		
NEW	4	RING TERMINAL ANTIROTATION CVT	M6	20÷40	CuZn-Sn	1,8		1708326	3500

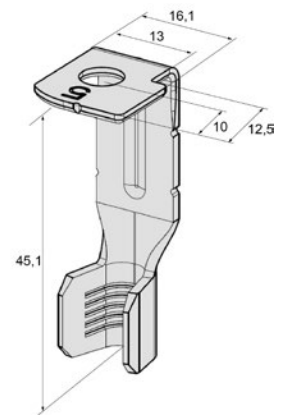
HMPDC



1



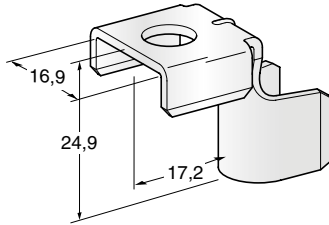
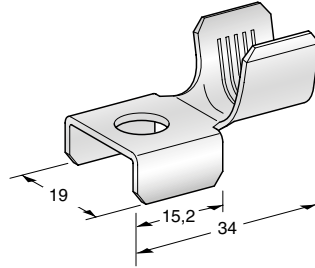
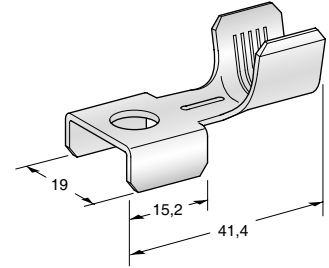
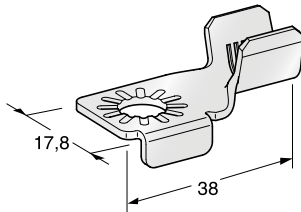
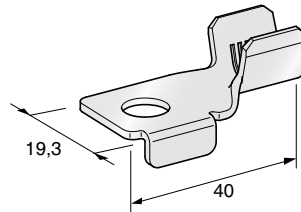
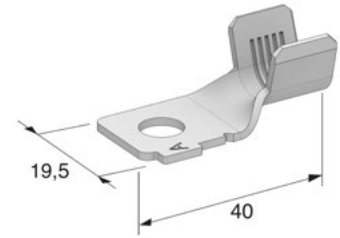
2



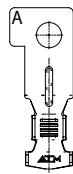
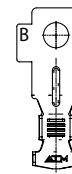
3

IMG	DESCRIPTION	SCREW	WIRE SECTION mm ²	MATERIAL	MATERIAL THICKNESS mm	P/N BOX	MOQ
1	RING TERMINAL G90 45mm POL.2	M6	8÷16	CuZn-Sn	1,5	1600055	600
2	RING TERMINAL G90 45mm POL.4	M6	8÷16	CuZn-Sn	1,5	1600056	600
3	RING TERMINAL G90 45mm POL.5	M6	8÷16	CuZn-Sn	1,5	1600057	600

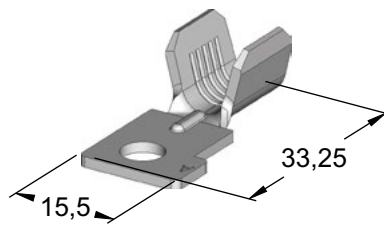
MEGA


1

2

3

4

5

6

IMG	DESCRIPTION	SCREW	WIRE SECTION mm ²	MATERIAL	MATERIAL THICKNESS mm	P/N BOX	MOQ	P/N REEL	MOQ
1	MEGA G90	M8	10÷20	Cu-Sn	1,5	1608180	650		
	MEGA G90	M8	25÷35	Cu-Sn	1,5	1608190	500		
2	MEGA L34	M8	10÷20	Cu-Sn	1,2	1108110	10	1708110	1200
	MEGA L34	M8	25÷35	Cu-Sn	1,2	1108120	10	1708120	900
3	MEGA L41	M8	25÷40	Cu-Sn	1,5	1608196	500		
4	W84 L38	M8	10÷25	CuZn-Sn	1,5	1608800	1400		
5	W62 L40	M8	25÷40	Cu-Sn	1,5	1609320	700		
6	W62 L40 POL.A	M8	25÷40	Cu-Sn	1,5	1609330	700		
	W62 L40 POL.B	M8	25÷40	Cu-Sn	1,5	1609340	700		

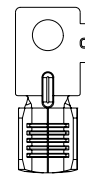
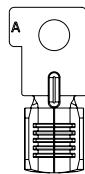

POL A

POL B

MEGA COMPACT

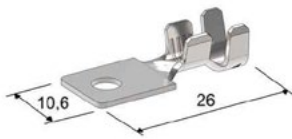


1

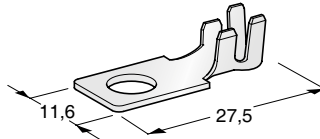
IMG	DESCRIPTION	SCREW	WIRE SECTION mm ²	MATERIAL	MATERIAL THICKNESS mm	P/N REEL	MOQ
1	RING TERMINAL MEGA POL A	M6	10÷20	Cu-Sn	1,5	1700055	1000
	RING TERMINAL MEGA POL C	M6	10÷20	Cu-Sn	1,5	1700056	1000



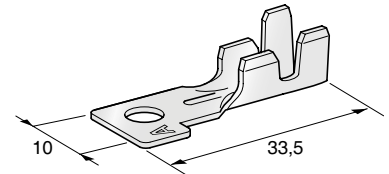
MIDI



1

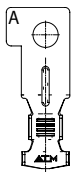


2

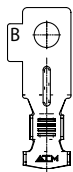


3

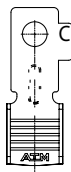
IMG	DESCRIPTION	SCREW	WIRE SECTION mm ²	MATERIAL	MATERIAL THICKNESS mm	P/N REEL	MOQ
1	MIDI L26	M4	2,5÷4	CuZn-Sn	0,8	1708280	2000
2	MIDI L27	M5	2,5÷4	CuZn-Sn	0,8	1708240	2000
	MIDI L28	M5	6÷8	CuZn-Sn	0,8	1708245	1600
	MIDI L28	M6	6÷8	CuZn-Sn	0,8	1708246	1600
3	MIDI L33 UNI	M5	2,5÷4	Cu-Sn	0,8	1705606	2000
	MIDI L33 POL A	M5	2,5÷4	Cu-Sn	0,8	1705616	2000
	MIDI L33 POL B	M5	2,5÷4	Cu-Sn	0,8	1705626	2000
	MIDI L33 POL E	M5	2,5÷4	Cu-Sn	0,8	1705656	2000
	MIDI L33 UNI	M5	6÷8	Cu-Sn	0,8	1705705	2000
	MIDI L33 POL A	M5	6÷8	Cu-Sn	0,8	1705715	2000
	MIDI L33 POL B	M5	6÷8	Cu-Sn	0,8	1705725	2000
	MIDI L33 POL D	M5	6÷8	Cu-Sn	0,8	1705745	2000
	MIDI L33 POL C	M5	6÷8	Cu-Sn	0,8	1705735	2000



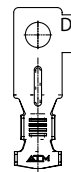
POL A



POL B



POL C

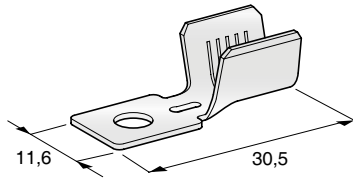


POL D

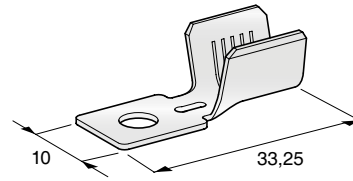


POL E

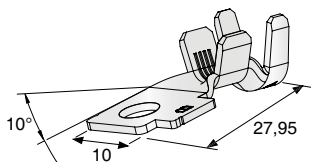
MIDI



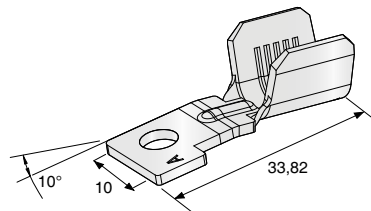
1



2

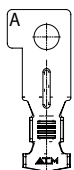


3

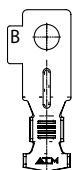


4

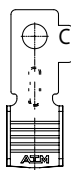
IMG	DESCRIPTION	SCREW	WIRE SECTION mm ²	MATERIAL	MATERIAL THICKNESS mm	P/N BOX	MOQ	P/N REEL	MOQ
1	MIDI L30	M5	10÷16	CuZn-Sn	0,8			1708250	1600
	MIDI L30	M6	10÷16	CuZn-Sn	0,8			1708251	1600
2	MIDI L33 UNI	M5	25÷35	Cu-Sn	1,5			1605905	800
	MIDI L33 POL A	M5	10÷20	Cu-Sn	1,5			1705855	1000
	MIDI L33 POL B	M5	10÷20	Cu-Sn	1,5			1705825	1000
	MIDI L33 POL B	M5	25÷35	Cu-Sn	1,5			1705925	800
	MIDI L33 POL C	M5	10÷20	Cu-Sn	1,5			1705835	1000
	MIDI L33 POL D	M5	10÷20	Cu-Sn	1,5			1705856	1000
	MIDI L33 POL E	M5	10÷20	Cu-Sn	1,5			1705857	1000
3	MIDI G10 POL B	M5	6÷8	CuZn-Sn	1			1705726	2700
4	MIDI G10 POL D	M5	10÷20	CuZn-Sn	1,5			1705846	1000



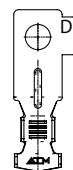
POL A



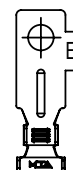
POL B



POL C

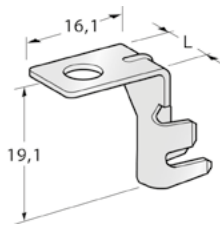


POL D

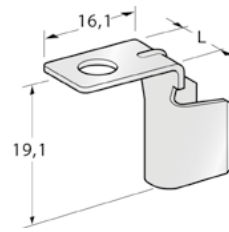


POL E

MIDI G90

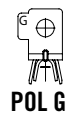
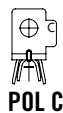
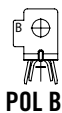
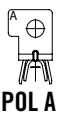


1

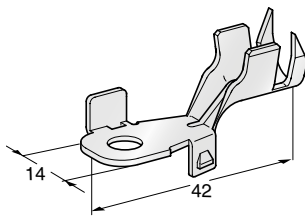


2

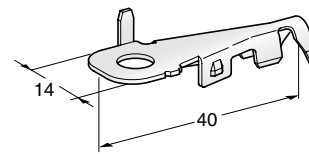
IMG	DESCRIPTION	L mm	SCREW	WIRE SECTION mm ²	MATERIAL	MATERIAL THICKNESS mm	P/N BOX	MOQ
1	MIDI G90 UNI	10	M5	6÷8	Cu-Sn	0,8	1605700	2500
	MIDI G90 POL A	10	M5	2,5÷4	Cu-Sn	0,8	1605610	2500
	MIDI G90 POL A	10	M5	6÷8	Cu-Sn	0,8	1605710	2000
	MIDI G90 POL B	10	M5	2,5÷4	Cu-Sn	0,8	1605620	2500
	MIDI G90 POL B	10	M5	6÷8	Cu-Sn	0,8	1605720	2000
	MIDI G90 POL C	10	M5	2,5÷4	Cu-Sn	0,8	1605630	2500
	MIDI G90 POL C	10	M5	6÷8	Cu-Sn	0,8	1605730	2000
	MIDI G90 POL E	10	M5	2,5÷4	Cu-Sn	0,8	1605650	2500
	2	MIDI G90 UNI	10	M5	10÷20	Cu-Sn	1,5	1605800
MIDI G90 UNI		10	M5	25÷35	Cu-Sn	1,5	1605900	1500
MIDI G90 POL A		10	M5	10÷20	Cu-Sn	1,5	1605810	1500
MIDI G90 POL A		10	M5	25÷35	Cu-Sn	1,5	1605910	2000
MIDI G90 POL B		10	M5	10÷20	Cu-Sn	1,5	1605820	1500
MIDI G90 POL B		10	M5	25÷35	Cu-Sn	1,5	1605920	2000
MIDI G90 POL C		10	M5	10÷20	Cu-Sn	1,5	1605830	1500
MIDI G90 POL G		10	M5	10÷20	Cu-Sn	1,5	1605847	1500
MIDI G90 POL A		13	M6	10÷20	Cu-Sn	1,5	1605811	1200
MIDI G90 POL C		13	M6	25÷35	Cu-Sn	1,5	1605911	1000



REVERSIBLE



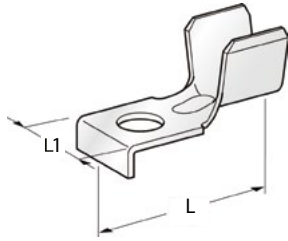
1



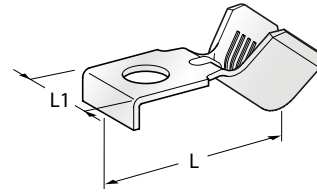
2

IMG	DESCRIPTION	SCREW	WIRE SECTION mm ²	MATERIAL	MATERIAL THICKNESS mm	P/N REEL	MOQ
1	RVS-A L42	M6	2,5÷4	Cu-Sn	0,8	1706900	1200
	RVS-A L42	M6	6÷8	Cu-Sn	1	1706910	1400
2	RVS-B L40	M6	2,5÷4	Cu-Sn	0,8	1706930	2200
	RVS-B L40	M6	6÷8	Cu-Sn	1	1706940	2000

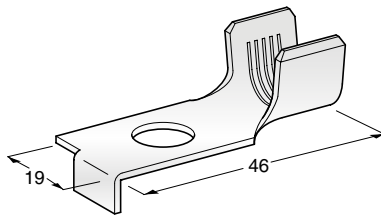
SQUARE



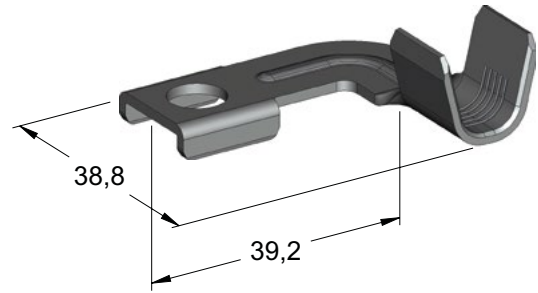
1



2



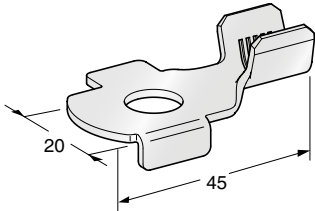
3



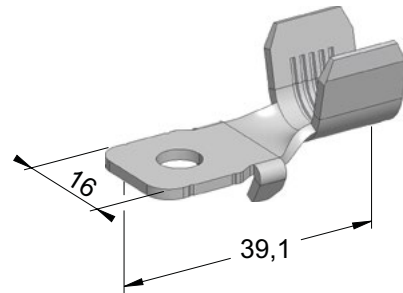
4

IMG	DESCRIPTION	L mm	L1 mm	SCREW	WIRE SECTION mm ²	MATERIAL	MATERIAL THICKNESS mm	P/N BOX	MOQ	P/N REEL	MOQ
1	SQR-A	35,5	12	M5	10÷20	CuZn-Sn	1,2			1706990	1200
	SQR-A	35,5	16	M6	25÷35	CuZn-Sn	1,2			1706980	1000
	SQR-A	35,5	16	M6	25÷40	CuETP-Sn	1,5	1606981	1800		
	SQR-A	35,5	16	M8	10÷20	CuZn-Sn	1,2			1706950	1200
	SQR-A	35,5	16	M8	25÷35	CuZn-Sn	1,2			1706960	1000
	SQR-A	35,5	16	M8	25÷40	CuZn-Sn	1,5	1606990	800		
2	SQR-A G45	37,1	16	M8	25÷40	CuZn-Sn	1,5	1606992	800		
	SQR-A G40	38,7	16	M6	25÷40	CuZn-Sn	1,2	1606982	2000		
3	SQR-B L46			M10	10÷20	CuZn-Sn	1,5			1708220	800
	SQR-B L46			M10	25÷35	CuZn-Sn	1,5			1708200	700
4	SQR-FL90 GROUND			M8	25÷40	Cu-Sn	1,5	1600048	200		

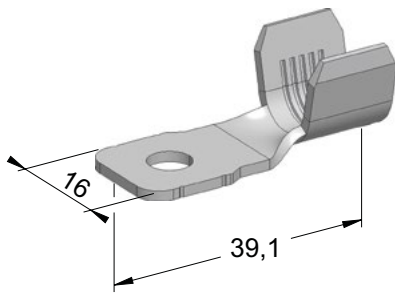
SQUARE



1



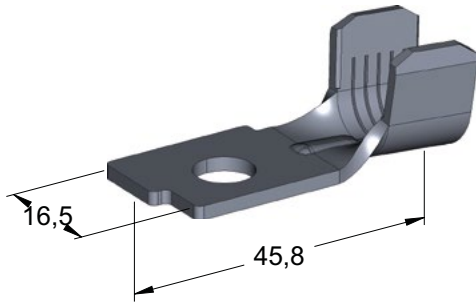
2



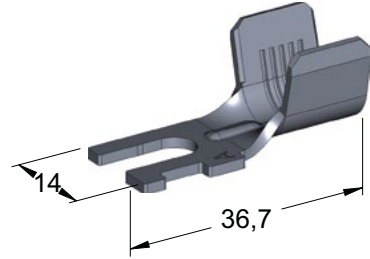
3

IMG	DESCRIPTION	SCREW	WIRE SECTION mm ²	MATERIAL	MATERIAL THICKNESS mm	P/N REEL	MOQ
1	SQR-C L45 SX	M10	25÷40	CuZn-Sn	1,5	1708270	700
2	SQR-C MY03	M6	10÷20	CuZn-Sn	1,5	1706975	1000
	SQR-C MY03	M6	25÷40	CuZn-Sn	1,5	1706977	700
3	SQR-C UNI	M6	25÷40	CuZn-Sn	1,5	1706712	700

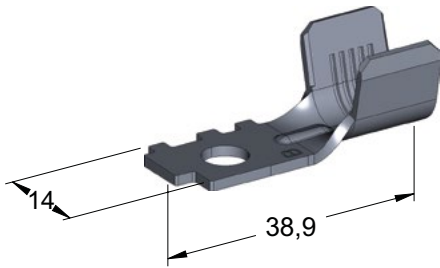
SQUARE



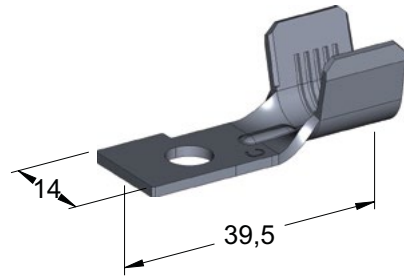
1



2



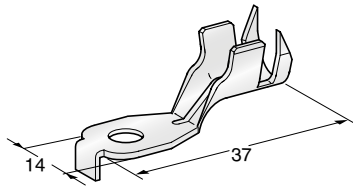
3



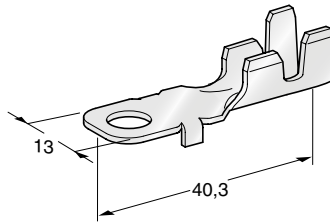
4

IMG	DESCRIPTION	L mm	SCREW	WIRE SECTION mm ²	MATERIAL	MATERIAL THICKNESS mm	P/N BULK	MOQ	P/N REEL	MOQ
1	SQR	45,73	M8	35	Cu-Sn	1,2	1603008	550	1603004	500
2	SQR POL A	36,5	M6	25 -35	Cu-Sn	1,5	1603005	1000	1603001	800
3	SQR POL B	38,7	M6	25 -35	Cu-Sn	1,5	1603006	1000	1603002	800
4	SQR POL C	39,3	M6	25 -35	Cu-Sn	1,5	1603007	1000	1603003	800

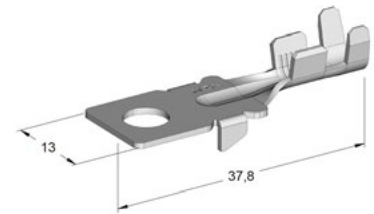
SMT



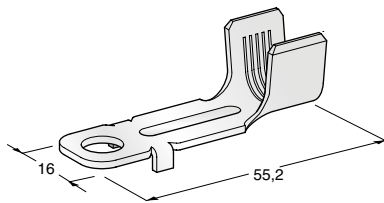
1



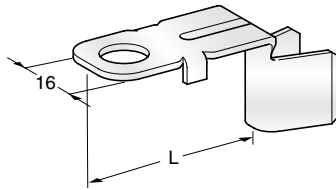
2



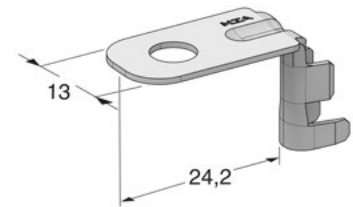
3



4



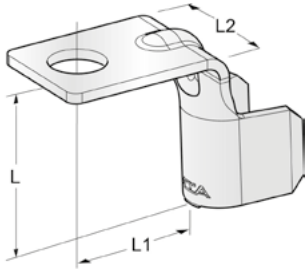
5



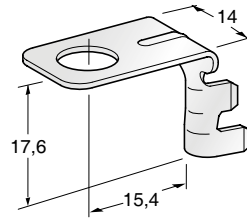
6

IMG	DESCRIPTION	L mm	SCREW	WIRE SECTION mm ²	MATERIAL	MATERIAL THICKNESS mm	P/N BOX	MOQ	P/N REEL	MOQ
1	SMT-A L39		M6	4÷8	CuZn-Sn	1			1706880	1400
	SMT-A L39		M6	10÷16	CuZn-Sn	1,2			1706890	1200
2	SMT-B L40		M6	2,5÷4	CuZn-Sn	0,8			1706600	2000
3	SMT-C L37		M6	2,5÷4	CuZn-Sn	0,8			1706713	2000
4	SMT-C L55		M8	50÷70	CuZn-Sn	1,5	1606796	1000		
5	SMT-C G90	33	M6	6÷8	CuZn-Sn	1,2	1606775	500		
	SMT-C G90	33	M6	10÷20	CuZn-Sn	1,2	1606770	2000		
	SMT-C G90	33	M6	25÷40	CuZn-Sn	1,2	1606500	600		
	SMT-C G90	33	M8	25÷40	CuZn-Sn	1,2	1606785	600		
	SMT-C G90	35,6	M8	50÷70	CuZn-Sn	1,5	1606795	1000		
6	SMT-B G90		M8	2,5÷4	CuZn-Sn	0,8	1606791	2000		

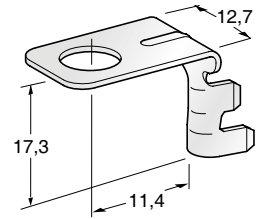
SPECIAL TYPES



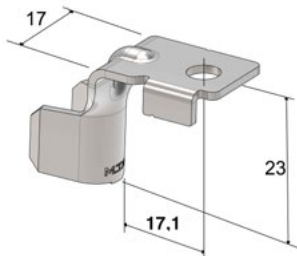
1



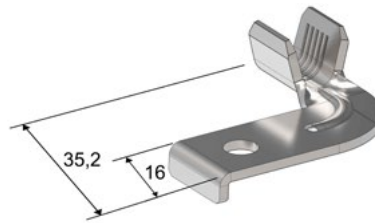
2



3



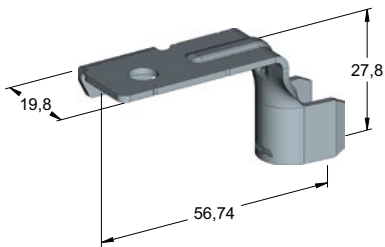
4



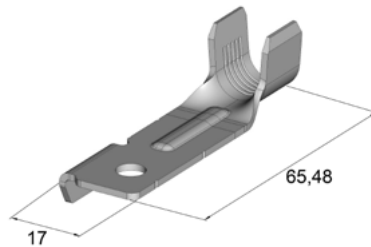
5

IMG	DESCRIPTION	L mm	L1 mm	L2 mm	SCREW	WIRE SECTION mm ²	MATERIAL	MATERIAL THICKNESS mm	P/N BOX	MOQ
1	FDU G90	23	16,7	17	M8	25÷40	CuZn-Sn	1,5	1608380	1500
	FDU G90	23	16,7	17	M6	25÷40	CuZn-Sn	1,5	1608381	700
	G90	23	16	16	M8	40, 50, 70	Cu-Sn	1,8	1607500	600
	G90	24	16	16	M8	30 + 30	Cu-Sn	1,8	1617500	500
2	PTC G90				M8	2,5÷5	Cu-Sn	0,8	1608500	1700
3	STR-S G90				M6	2,5÷4	Cu-Sn	0,8	1608510	2300
4	FDU GM90M6P				M6	25÷35	CuZn-Sn	1,5	1704010	600
5	SX FL90 P				M6	20 - 35	CuZn-Sn	1,8	1704000	500

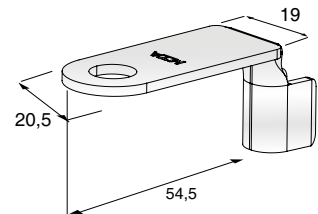
SPECIAL TYPES



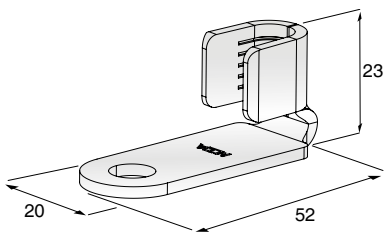
1



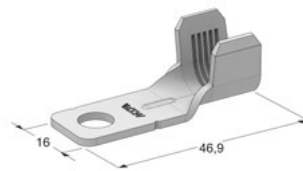
2



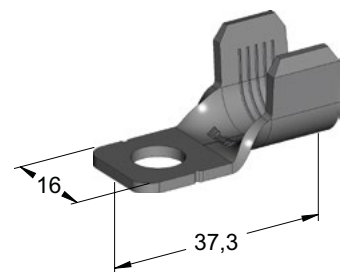
3



4



5



6

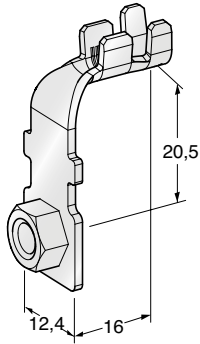
IMG	DESCRIPTION	SCREW	WIRE SECTION mm ²	MATERIAL	MATERIAL THICKNESS mm	P/N BOX	MOQ
1	NEGATIVE BATTERY RING TERMINAL G90	M6	35 - 50	Cu-Sn	1,5	1600047	500
2	BATTERY RING TERMINAL VE EYLET	M6	35 - 50	Cu-Sn	1,5	1600067	TBD
3	G90	M8	16	CuZn-Sn	1,9	1796416	2000
4	G90	M8	35	CuZn-Sn	2,3	1793753	500
5	L47	M8	40,50,70	Cu-Sn	1,8	1607510	600
6	L37	M8	40÷70	Cu-Sn	1,8	1607511	600
	L37	M8	10÷20	Cu-Sn	1,5	1600068	TBD
	L37	M8	25÷40	Cu-Sn	1,5	1600069	TBD

NEW

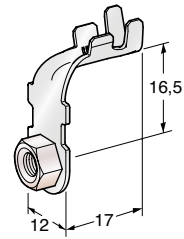
NEW

NEW

NUT TYPES



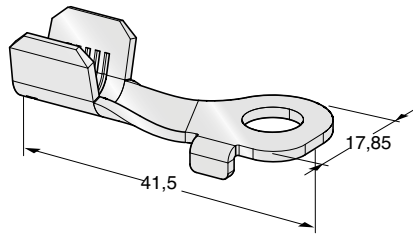
1



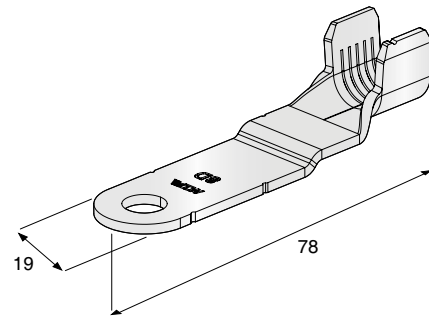
2

IMG	DESCRIPTION	SCREW	WIRE SECTION mm ²	MATERIAL	MATERIAL THICKNESS mm	P/N BOX	MOQ
1	NUT G90 SH	M5	2,5÷5	CuZn-Sn	1,2	1608420	1500
2	NUT G90	M5	2,5÷5	CuZn-Sn	1	1608400	1500

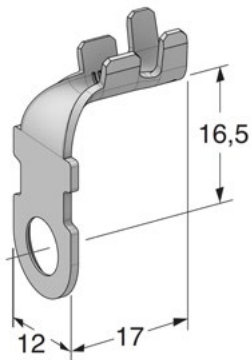
SPECIAL TYPES



1



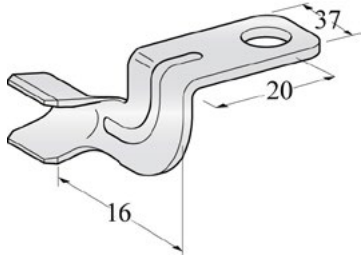
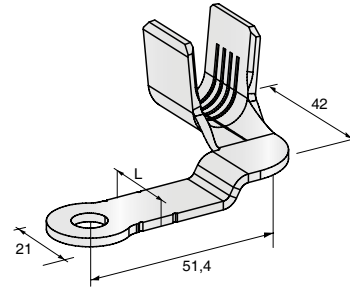
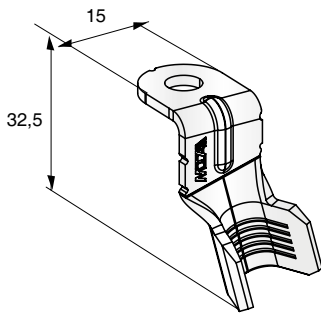
2



3

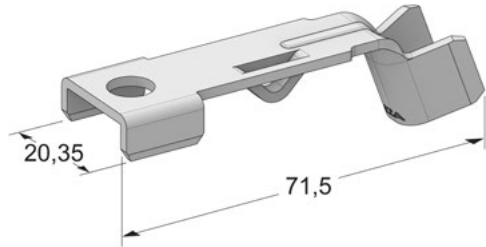
IMG	DESCRIPTION	SCREW	WIRE SECTION mm ²	MATERIAL	MATERIAL THICKNESS mm	P/N BOX	MOQ	P/N REEL	MOQ
1	STARTER L41	M8	10÷20	CuZn-Sn	1,5			1708360	1000
	STARTER L41	M8	25÷40	CuZn-Sn	1,5			1708370	800
2	ALTERNATOR	M8	35÷50	Cu-Sn	2	1607400	250		
3	G90	M6	2,5÷5	CuZn-Sn	1	1606995	2000		

SPECIAL TYPES

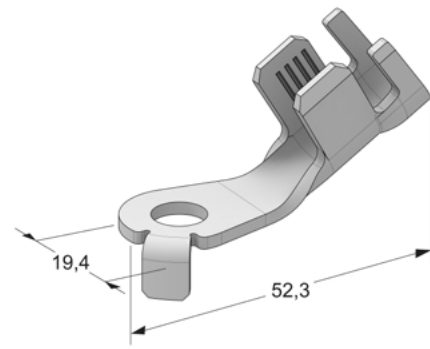

1

2

3

IMG	DESCRIPTION	L mm	SCREW	WIRE SECTION mm ²	MATERIAL	MATERIAL THICKNESS mm	P/N BOX	MOQ
1	FLANGE TW90		M8	25÷35	Cu-Sn	1,5	1608700	450
2	D21	16	M8	16÷41	CuZn-Sn	2	1609910	380
	D21	13	M8	14÷41	CuZn-Sn	2	1609920	250
3	FL15 G90		M6	25÷35	Cu-Sn	1,8	1608520	700

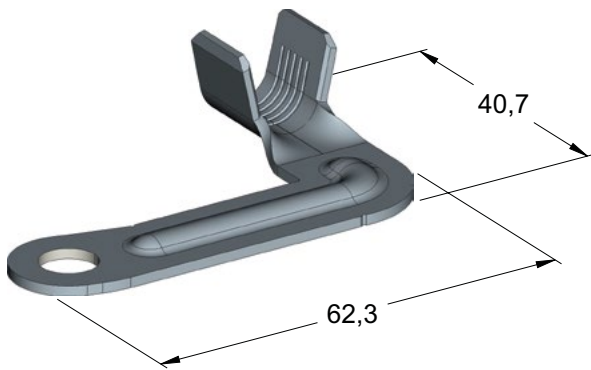
SPECIAL TYPES



1



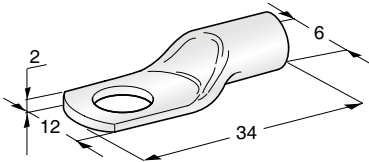
2



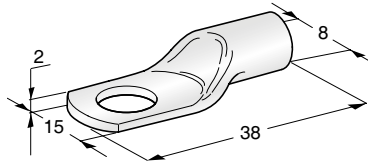
3

IMG	DESCRIPTION	SCREW	WIRE SECTION mm ²	MATERIAL	MATERIAL THICKNESS mm	P/N BOX	MOQ
1	G70	M8	25÷35	CuZn-Sn	1,8	1608540	300
2	G30 ANTIROTATION	M8	35	CuZn-Sn	2,0	1609960	500
3	EYLET M8	M8	25	CuZn-Sn	1,5	1556792	650

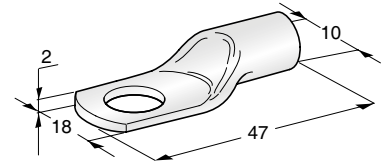
TUBULAR



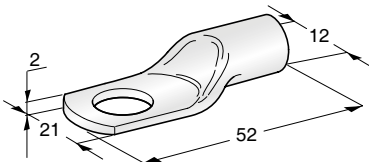
1



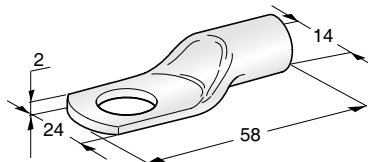
2



3



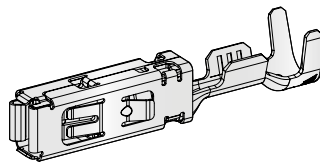
4



5

IMG	DESCRIPTION	SCREW	WIRE SECTION mm ²	MATERIAL	P/N BOX	MOQ
1	TUBOLAR L34	M6	16	Cu-Sn	1605000	50
	TUBOLAR L34	M8	16	Cu-Sn	1605100	50
2	TUBOLAR L38	M8	25	Cu-Sn	1605010	50
	TUBOLAR L38	M10	25	Cu-Sn	1605110	50
3	TUBOLAR L47	M8	35	Cu-Sn	1605021	50
	TUBOLAR L47	M10	35	Cu-Sn	1605020	50
4	TUBOLAR L52	M11	50	Cu-Sn	1605030	25
5	TUBOLAR L58	M13	75	Cu-Sn	1605040	25

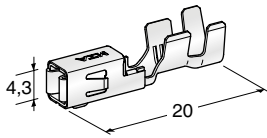
HP6 280



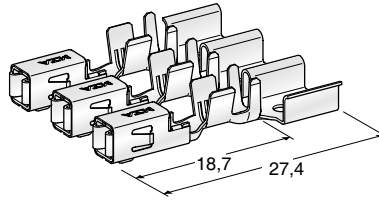
1

IMG	DESCRIPTION	WIRE SECTION mm ²	MATERIAL	MATERIAL THICKNESS mm	CONTACT AREA COATING	P/N BOX	MOQ	P/N REEL	MOQ
1	HP6 280	0,5÷1	Cu Alloy-Sn	0,3	Au	1108380	100	1708380	10500
	HP6 280	1,5÷2,5	Cu Alloy-Sn	0,3	Au	1108381	100	1708381	10500
	HP6 280	0,5÷1	Cu Alloy-Sn	0,3	Sn	1108382	100	1708382	10500
	HP6 280	1,5÷2,5	Cu Alloy-Sn	0,3	Sn	1108383	100	1708383	10500
	HP6 280	0,5÷1	Cu Alloy-Sn	0,3	Ag			1708391	10500
	HP6 280	1,5÷2,5	Cu Alloy-Sn	0,3	Ag			1708392	10500

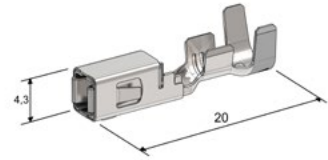
MINI 280



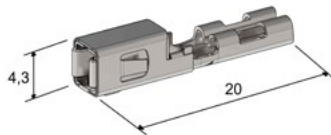
1



2



3



4



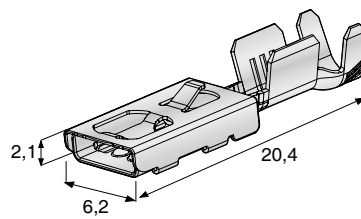
5



6

IMG.	DESCRIPTION	WIRE SECTION mm ²	WIRE DIAMETER Ømm	MATERIAL	MAT. THICK. mm	TAB / COLOUR	P/N BOX	MOQ	P/N BULK	MOQ	P/N REEL	MOQ
1	MINI F280	0,35÷0,75		CuFe-Sn	0,3		1108330	100			1708330	9000
	MINI F280	1÷2		CuFe-Sn	0,3		1108331	100			1708331	9000
	MINI F280	2,5÷4		CuFe-Sn	0,3		1108332	100			1708332	9000
2	MINI F280 BUS BAR	1÷2		CuFe-Sn	0,3						1708335	12000
	MINI F280 BUS BAR	2,5÷4		CuFe-Sn	0,3						1708336	12000
3	MINI F280 WP	0,35÷0,75		CuFe-Sn	0,3		1108337	100			1708337	9000
	MINI F280 WP	1÷2		CuFe-Sn	0,3		1108338	100			1708338	9000
	MINI F280 WP	2,5÷4		CuFe-Sn	0,3		1108339	100			1708339	9000
4	MINI F280 DOUBLE			CuFe-Sn		Male 2,8			1708334	20000		
5	GASKET		2,2÷3	Silicon		Green	4551747	100	4550747	10000		
	GASKET		1,2÷2,1	Silicon		Red	4551748	100	4550748	10000		
	GASKET		3,1÷3,7	Silicon		Grey	4551749	100	4550749	10000		
6	PLUG			Silicon		Black			4550750	5000		

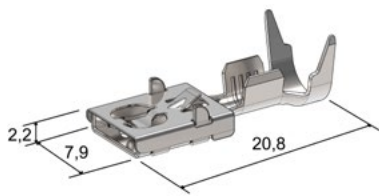
F 480E



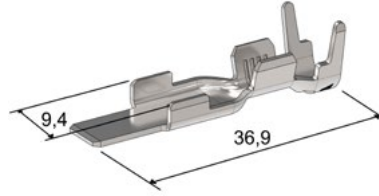
1

IMG	DESCRIPTION	WIRE SECTION mm ²	MATERIAL	MATERIAL THICKNESS mm	P/N BOX	MOQ	P/N REEL	MOQ
1	F480E	0,5÷1	CuZn-Sn	0,3	1108400	100	1708400	15000
	F480E	1,5÷2,5	Cu Alloy-Sn	0,3	1108401	100	1708401	12000
	F480E	0,35÷0,5	CuZn-Sn	0,3	1108402	100	1708402	16500

F630E & M630



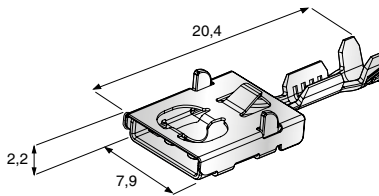
1



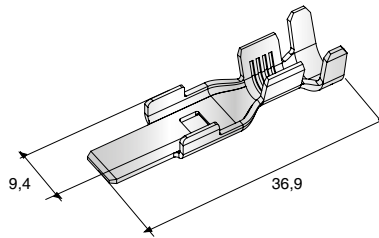
2



3



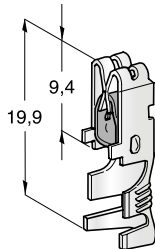
4



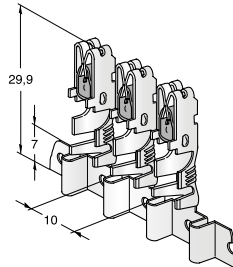
5

IMG.	DES.	WIRE SECTION mm ²	WIRE DIAMETER Ømm	MATERIAL	MAT. THICK. mm	TAB	COLOUR	P/N BOX	MOQ	P/N REEL	MOQ		
1	F630 E WP	2÷3		Cu Alloy-Sn	0,4	6,3 x 0,8				1708505	5400		
	F630 E WP	4÷6		Cu Alloy-Sn	0,4	6,3 x 0,8				1708504	5400		
2	M630 WP	2,5÷4		Cu-Sn	0,8					1707995	1700		
	M630 WP	6		Cu-Sn	0,8					1707994	1700		
3	GASKET		2,7÷3,7	Silicon			Blue	4551901	10000				
	GASKET		4÷4,3	Silicon			Green	4551902	10000				
4	F630 E	0,35÷0,5		CuZn-Sn	0,4	6,3 x 0,8				1108500	100	1708500	10500
	F630 E	0,75÷1,5		CuZn-Sn	0,4	6,3 x 0,8				1108501	100	1708501	9000
	F630 E	2÷3		Cu Alloy-Sn	0,4	6,3 x 0,8				1108502	100	1708502	7500
	F630 E	4÷6		Cu Alloy-Sn	0,4	6,3 x 0,8				1108503	100	1708503	6300
	F630 E	0,75÷1,5		CuZn-Sn	0,4	5,2 x 0,6				1108511	100	1708511	9000
	F630 E	2÷2,5		Cu Alloy-Sn	0,4	5,2 x 0,6				1108512	100	1708512	7500
	F630 E	4÷6		Cu Alloy-Sn	0,4	5,2 x 0,6				1108513	100	1708513	6300
	F630 E	1,5÷2		Cu-Sn	0,8					1107990	20	1707990	3000
5	M630	2,5÷4		Cu-Sn	0,8					1107991	20	1707991	2000
	M630	6÷8		Cu-Sn	0,8					1107992	20	1707992	1900
	M630	10		Cu-Sn	0,8					1107993	20		
	M630												

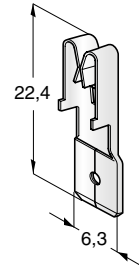
UNI 630



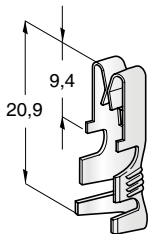
1



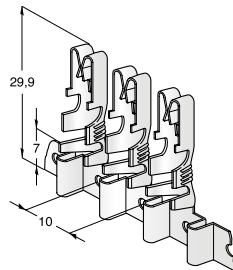
2



3



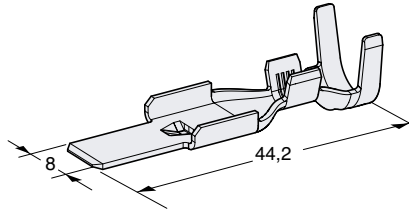
4



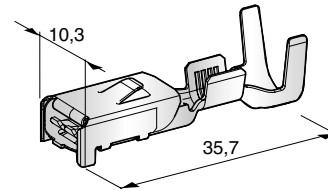
5

IMG	DESCRIPTION	WIRE SECTION mm ²	MATERIAL	MATERIAL THICKNESS mm	P/N BOX	MOQ	P/N BULK	MOQ	P/N REEL	MOQ
1	UNI F630 WITH CLIP	0,5÷1,5	CuSn-Sn	0,4	1107920	100			1707920	6000
	UNI F630 WITH CLIP	2÷3	CuSn-Sn	0,4	1107930	100			1707930	6000
	UNI F630 WITH CLIP	4÷6	CuFe-Sn	0,4	1107940	50			1707940	5400
2	UNI F630 BUS BAR WITH CLIP	2÷3	CuSn-Sn	0,4					1707932	9000
	UNI F630 BUS BAR WITH CLIP	4÷6	CuFe-Sn	0,4					1707942	9000
3	UNI F630		CuSn-Sn	0,4	1107501	100	1907501	8000		
4	UNI F630	0,5÷1,5	CuSn-Sn	0,4	1107900	100			1707900	6000
	UNI F630	2÷3	CuSn-Sn	0,4					1707902	6000
	UNI F630	4÷6	CuSn-Sn	0,4	1107901	100			1707901	5400
5	UNI F630 BUS BAR	2÷3	CuSn-Sn	0,4					1707912	9000
	UNI F630 BUS BAR	4÷6	CuSn-Sn	0,4					1707911	9000

MAXI 800 WP



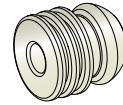
1



2



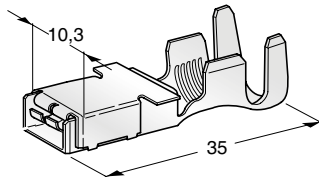
3



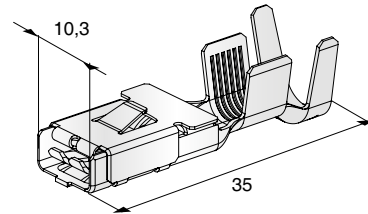
4

IMG	DESCRIPTION	WIRE SECTION mm ²	WIRE DIAMETER Ømm	MATERIAL	MATERIAL THICKNESS mm	COLOUR	P/N BOX	MOQ	P/N REEL	MOQ
1	WP M800	2,5÷4		Cu-Sn	0,8				1707760	1300
	WP M800	6÷8		Cu-Sn	0,8				1707770	1000
	WP M800	10÷16		Cu-Sn	0,8				1707780	1300
2	WP F800	1,5 ÷ 2,5		CuZn-Sn	0,5		1107400	20	1707400	1300
	WP F800	3 ÷ 6		CuZn-Sn	0,5		1107410	20	1707410	1300
	WP F800	7 ÷ 10		CuNi-Sn	0,5		1107420	20	1707420	1300
3	GASKET		1,9 - 3,3	SILICON		■ Green	4550780	5000		
	GASKET		3,4 - 4,9	SILICON		■ Blue	4550781	5000		
	GASKET		5 - 6,5	SILICON		■ Red	4550782	5000		
4	CAVITY PLUG			SILICON		□ Natural	4550784	5000		

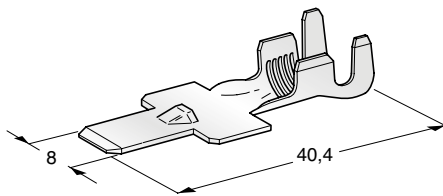
MAXI 800



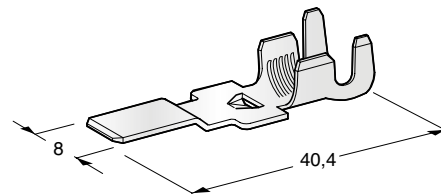
1



2



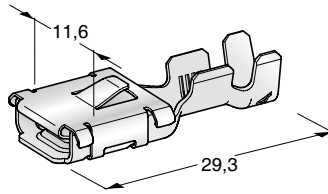
3



4

IMG	DESCRIPTION	WIRE SECTION mm ²	MATERIAL	MATERIAL THICKNESS mm	P/N BOX	MOQ	P/N REEL	MOQ
1	F800	1,5÷2,5	CuZn-Sn	0,5	1107650	20	1707650	1600
	F800	4÷6	CuZn-Sn	0,5	1107660	20	1707660	1600
	F800	8÷10	CuZn-Sn	0,5	1107670	20	1707670	1300
	F800	8÷10	CuNi-Sn	0,5			1707672	1300
	F800	16	CuNi-Sn	0,5	1107671	20	1707671	1300
2	F800 WITH CLIP	1,5÷2,5	CuZn-Sn	0,5	1107620	20	1707620	2000
	F800 WITH CLIP	1,5÷2,5	CuNi-Sn	0,5			1700043	2000
	F800 WITH CLIP	4÷6	CuZn-Sn	0,5	1107621	20	1707621	2000
	F800 WITH CLIP	4÷6	CuNi-Sn	0,5			1700044	2000
	F800 WITH CLIP	8÷10	CuNi-Sn	0,5	1107622	20	1707622	1300
3	M800	2,5÷4	Cu-Sn	0,8	1107675	20	1707675	2000
	M800	6÷8	Cu-Sn	0,8	1107685	20	1707685	1600
	M800	10÷16	Cu-Sn	0,8	1107690	20	1707690	1300
4	WP M800	2,5÷4	Cu-Sn	0,8	1107700	20	1707700	3000
	WP M800	6÷8	Cu-Sn	0,8	1107710	20	1707710	1600
	WP M800	10÷16	Cu-Sn	0,8	1107720	20	1707720	1400

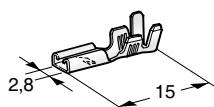
POWER 950



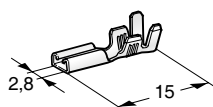
1

IMG	DESCRIPTION	WIRE SECTION mm ²	MATERIAL	MATERIAL THICKNESS mm	P/N BOX	MOQ	P/N REEL	MOQ
1	F950	2,5÷4	Cu-Sn	0,6	1107740	20	1707740	2000
	F950	6÷8	Cu-Sn	0,6	1107741	20	1707741	1600
	F950	10÷16	Cu-Sn	0,6			1707742	1300

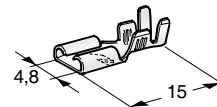
FASTON



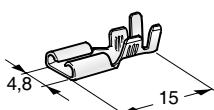
1



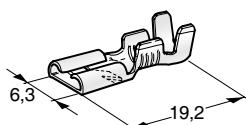
2



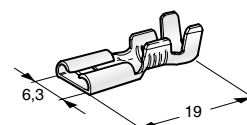
3



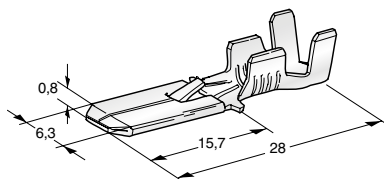
4



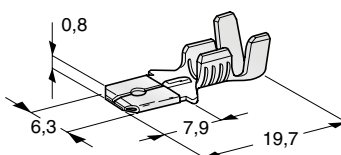
5



6



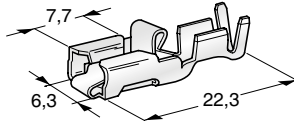
7



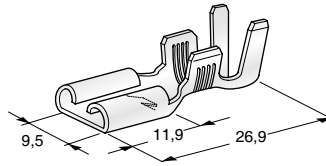
8

IMG	DESCRIPTION	WIRE SECTION mm ²	MATERIAL THICKNESS mm	MATERIAL	P/N BOX	INNER BOX PCS	MOQ	P/N REEL	MOQ
1	F280 WITH LOCKING NOTCH	0,5÷1	0,25	CuZn-Sn	1101700		200		
2	F280	0,3÷1	0,30	CuZn	1301390	200	4800		
3	F480 WITH LOCKING NOTCH	0,5÷1	0,32	CuZn-Sn	1101710		100		
4	FASTON F480	0,5÷1	0,33	CuZn	1301391		100		
5	F630 WITH LOCKING NOTCH	1÷2,5	0,35	CuZn	1301650	100	2400		
6	F630 WITH LOCKING NOTCH	1÷2,5	0,35	CuZn-Sn	1101650	100	2400	1701650	1500
	F630	0,5÷1,5	0,40	CuZn	1301402		100		
	F630	1÷2,5	0,40	CuZn-Sn				1701655	1500
	F630	1÷2,5	0,40	CuZn	1301400	200	4800		
7	F630	1÷2,5	0,40	CuZn-Sn	1101400		200		
	M630 WITH LOCKING NOTCH	0,75÷2	0,4	CuZn-Sn	1101660		100		
	M630 WITH LOCKING NOTCH	0,75÷2	0,4	CuZn	1301660	100	2400		
	M630 WITH LOCKING NOTCH	0,75÷2	0,4	CuZn	1901660		5000		
8	M630 WITH LOCKING NOTCH	4÷6	0,4	CuZn-Sn	1101662		100		
	M630	0,5÷1	0,4	CuZn	1301411		100		
	M630	1÷2,5	0,4	CuZn-Sn	1101412		100		
	M630	1÷2,5	0,4	CuZn-Sn	1951194		5000		
	M630	1÷2,5	0,4	CuZn	1301412		100		

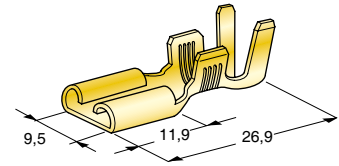
FASTON



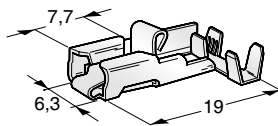
1



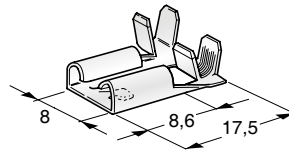
2



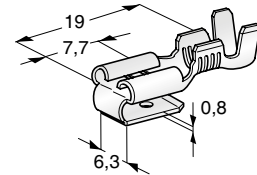
3



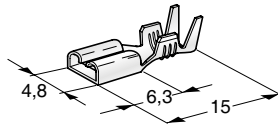
4



5



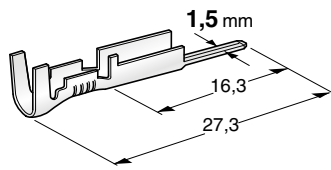
6



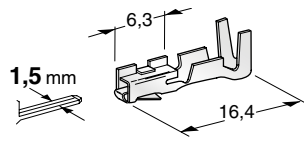
7

IMG	DESCRIPTION	WIRE SECTION mm ²	MATERIAL THICKNESS mm	MATERIAL	P/N BOX	MOQ	P/N REEL	MOQ
1	ANTISF F630	0,5÷1,5	0,4	CuZn-Sn	1107000	50		
	ANTISF F630	2,5÷4	0,4	CuZn-Sn	1107010	50		
2	F950 WITH LOCKING NOTCH	6÷10	0,4	CuZn-Sn	1101720	100		
3	F950	3÷6	0,4	CuZn	1301420	100		
4	ANTISF F630 FLAG	0,51 ÷ 1,03	0,4	CuZn-Sn	1107020	50		
5	F800 FLAG WITH LOCKING NOTCH	1÷2,5	0,4	CuZn-Sn	1101680	50		
6	630 2WAY	0,8÷2,5	0,4	CuZn-Sn	1301501	100		
7	PITCH 5 F480	0,5÷1,5	0,35	CuZn-Sn			1701940	12000

FOR SEAL CONNECTORS



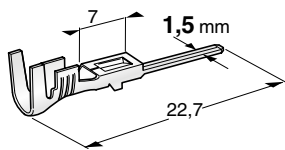
1



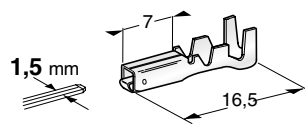
2



3



4



5



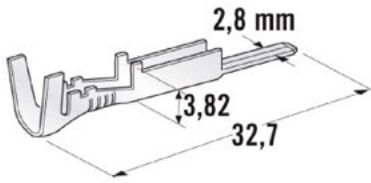
6



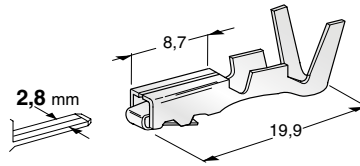
7

IMG	DESCRIPTION	WIRE SECTION mm ²	MATERIAL THICKNESS mm	MATERIAL	COLOUR	P/N BOX	MOQ
1	METRIPACK M150	0,5÷1	0,4	CuZn-Sn		1105510	100
2	METRIPACK F150	0,5÷1	0,4	CuZn-Sn		1105500	100
3	RUBBER	0,5÷1	-	Silicon	■ Red	4407530	100
4	S-SEAL M150	1÷1,5	0,32	CuZn-Sn		1105550	100
5	S-SEAL F150	1÷1,5	0,3	CuZn-Sn		1105560	100
6	RUBBER	0,5÷1	-	Silicon	■ Yellow	4407740	100
7	CAVITY PLUG		-	Silicon	■ Red	4407750	100

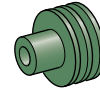
FOR SEAL CONNECTORS



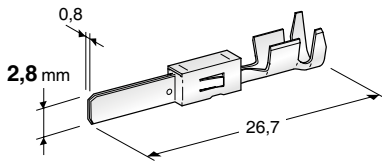
1



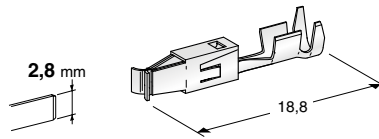
2



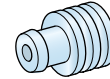
3



4



5



6



7

IMG	DESCRIPTION	WIRE SECTION mm ²	MATERIAL THICKNESS mm	MATERIAL	COLOUR	P/N BOX	MOQ
1	METRIPACK M280	1÷2,5	0,4	CuSn-Sn		1104500	50
2	METRIPACK F280	1÷2,5	0,4	CuSn-Sn		1104510	100
3	RUBBER	1÷2,5		Silicon	■ Green	4407510	100
4	JPT-WP M280	0,5÷1,5	0,32	CuSn-Sn		1108290	100
	JPT-WP M280	1,5÷2,5	0,32	CuSn-Sn		1108300	100
5	JPT-WP F280	0,5÷1	0,32	CuSn-Sn		1108260	100
	JPT-WP F280	1÷2,5	0,32	CuSn-Sn		1108270	100
6	RUBBER	0,5÷1		Silicon	■ Azure	4510662	100
7	RUBBER	1,5÷2,5		Silicon	□ White	4510658	100

MAXI 800



1







2



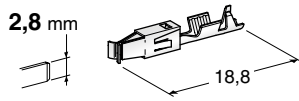
3



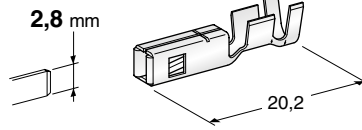
4

IMG	DESCRIPTION	WIRE SECTION mm ²	MATERIAL	COLOUR	P/N BOX	MOQ
1	GASKET FOR MPT WP TERMINALS	2,5÷4	Silicon	 Yellow	4551903	4000
2	SEALING PLUG FOR MPT TERMINALS	-	Silicon	 White	4423721	2500
3	GASKET FOR SPLASH PROOF UNIVAL HOLDER	0,5 - 1,5	Silicon	 Orange	4507770	1000
4	GASKET FOR SPLASH PROOF UNIVAL HOLDER	2 - 3	Silicon	 Yellow	4507771	1000

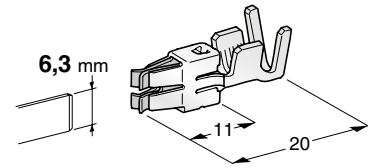
FOR SPECIAL CONNECTORS



1



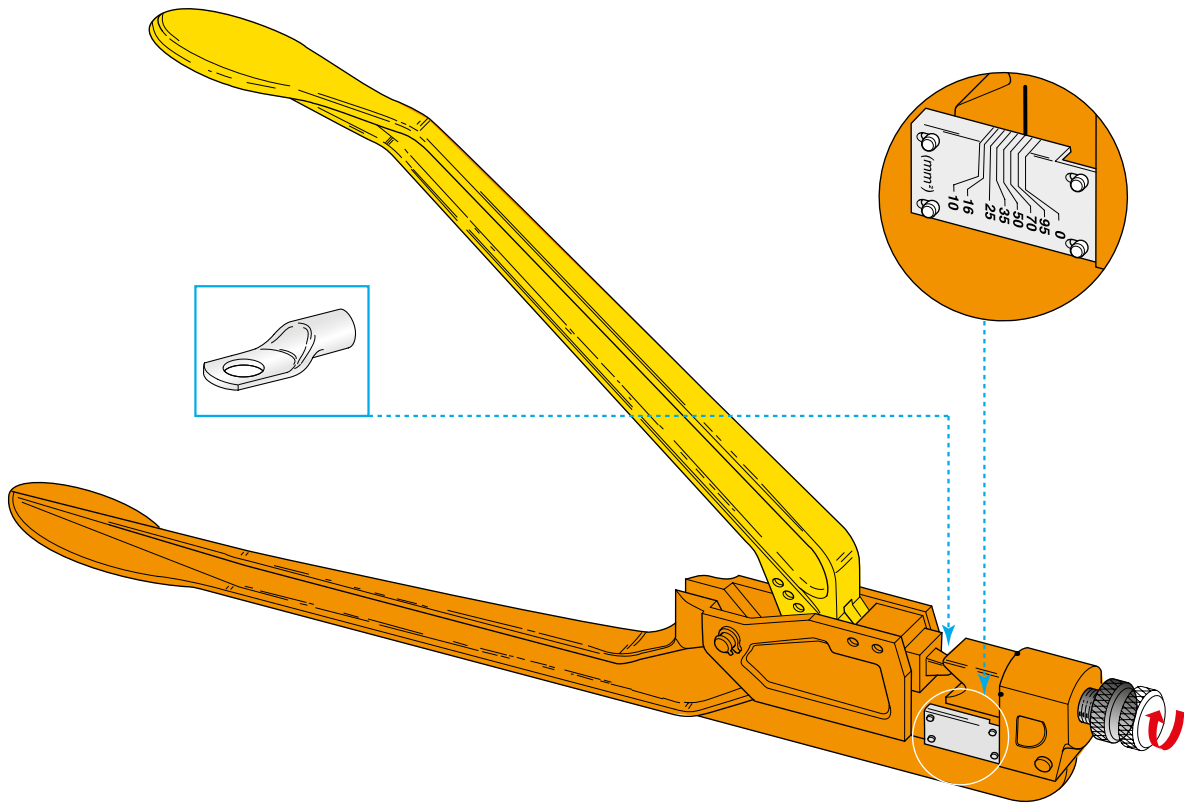
2



3

IMG	DESCRIPTION	WIRE SECTION mm ²	MATERIAL THICKNESS mm	MATERIAL	P/N BOX	MOQ
1	JPT F280	0,2÷0,5	0,32	CuSn-Sn	1105615	100
	JPT F280	0,5÷1	0,32	CuSn-Sn	1105620	100
	JPT F280	1,5÷2,5	0,32	CuSn-Sn	1105630	100
2	SICMA2 F280	0,35÷0,75	0,35	CuZn-Sn	1105660	100
	SICMA2 F280	1÷2,5	0,35	CuZn-Sn	1105670	100
3	SPT F630	2,5÷4	0,40	CuZn-Sn	1102050	100

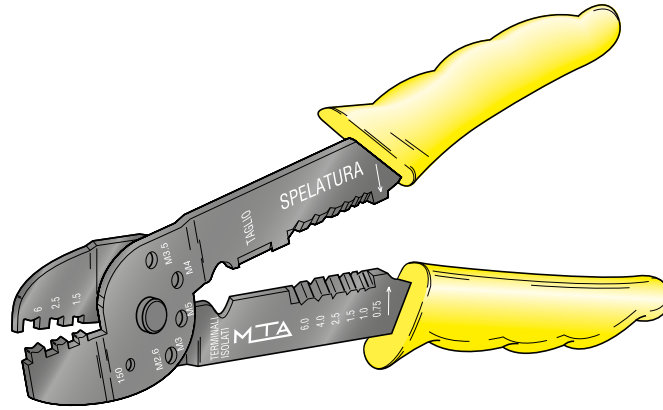
CRIMPING TOOLS



1

IMG	DESCRIPTION	WIRE SECTION mm ²	LENGTH mm	WEIGHT g	P/N BOX	MOQ
1	TOOL FOR TUBULAR TERMINALS	10÷95	565÷585	3267	9602490	1

CRIMPING TOOLS



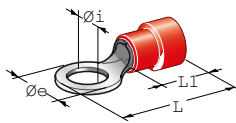
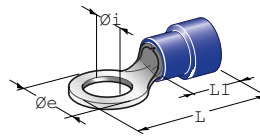
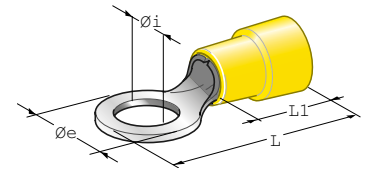
1

IMG	DESCRIPTION	WIRE SECTION mm ²	P/N BOX	MOQ
1	CRIMPING TOOL	1,5÷6	9602450	1

INSULATED TERMINALS

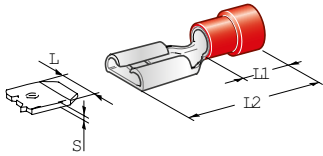


RING

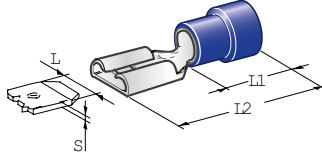

1

2

3

IMG	DESCRIPTION	WIRE SECTION mm ²	$\varnothing i$ mm	$\varnothing e$ mm	L mm	L1 mm	MATERIAL	MATERIAL THICKNESS mm	P/N BOX	MOQ
1	RING	0,25-1÷1	3,2	5,5	18,0	10,5	Cu-Sn PA66	0,75	1853050	100
	RING	0,25-1÷1	3,7	5,5	18,0	10,5	Cu-Sn PA66	0,75	1853060	100
	RING	0,25-1÷1	4,3	6,6	20,1	10,5	Cu-Sn PA66	0,75	1853070	100
	RING	0,25-1÷1	5,3	8,0	21,5	10,5	Cu-Sn PA66	0,75	1853150	100
	RING	0,25-1÷1	6,4	11,6	27,4	10,5	Cu-Sn PA66	0,75	1853200	100
	RING	0,25-1÷1	8,4	11,6	27,4	10,5	Cu-Sn PA66	0,75	1853250	100
2	RING	1÷2,5	4,3	8,5	23,0	11,0	Cu-Sn PA66	0,80	1857100	100
	RING	1÷2,5	5,3	8,5	23,0	11,0	Cu-Sn PA66	0,80	1857150	100
	RING	1÷2,5	6,4	12,0	28,0	11,0	Cu-Sn PA66	0,80	1857200	100
	RING	1÷2,5	8,4	12,0	28,0	11,0	Cu-Sn PA66	0,80	1857250	100
	RING	2,5÷6	4,3	7,2	23,5	14,0	Cu-Sn PA66	1	1863100	50
3	RING	2,5÷6	5,3	9,5	27,0	14,0	Cu-Sn PA66	1	1863150	50
	RING	2,5÷6	6,4	12,0	30,5	14,0	Cu-Sn PA66	1	1863200	50
	RING	2,5÷6	8,4	15,0	35,2	14,0	Cu-Sn PA66	1	1863250	50
	RING	2,5÷6	10,4	15,0	35,2	14,0	Cu-Sn PA66	1	1863300	50

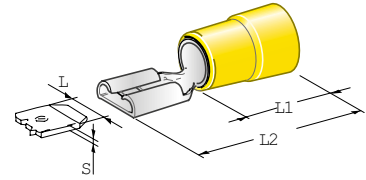
PUSH ON



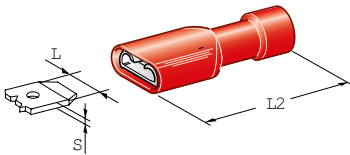
1



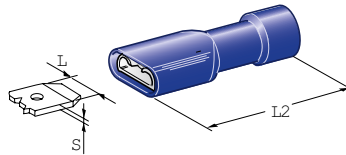
2



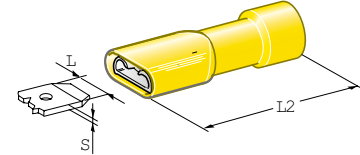
3



4



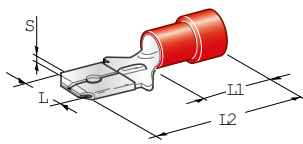
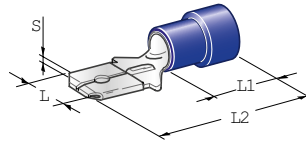
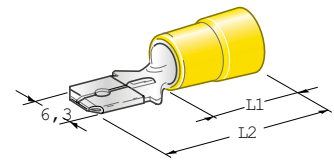
5



6

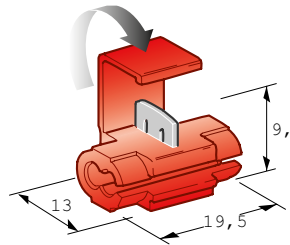
IMG	DESCRIPTION	WIRE SECTION mm ²	S mm	L mm	L1 mm	L2 mm	MATERIAL	MATERIAL THICKNESS mm	P/N BOX	MOQ
1	PUSH ON	0,25÷1	0,8	2,8	10,0	18,5	CuZn-Sn PVC	0,30	1850400	100
	PUSH ON	0,25÷1	0,8	4,7	10,0	19	CuZn-Sn PVC	0,40	1850300	100
	PUSH ON	0,25÷1	0,8	6,3	12,0	21	CuZn-Sn PVC	0,40	1851000	100
2	PUSH ON	1÷2,5	0,8	2,8	10,0	19	CuZn-Sn PVC	0,30	1854400	100
	PUSH ON	1÷2,5	0,8	6,3	12,0	21,0	CuZn-Sn PVC	0,40	1855000	100
3	PUSH ON	2,5÷6	0,8	6,3	13,0	22,4	CuZn-Sn PVC	0,40	1861000	50
4	PUSH ON	0,25÷1	0,8	6,3	-	23,5	CuZn-Sn PVC	0,40	1851500	100
5	PUSH ON	1÷2,5	0,8	6,3	-	23,5	CuZn-Sn PVC	0,40	1855500	100
6	PUSH ON	2,5÷6	0,8	6,3	-	24,0	CuZn-Sn PVC	0,40	1860500	50

PUSH ON

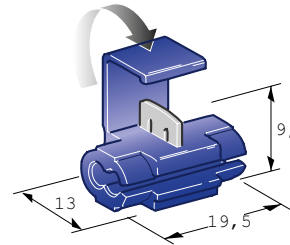

1

2

3

IMG	DESCRIPTION	WIRE SECTION mm ²	S mm	L mm	L1 mm	L2 mm	MATERIAL	MATERIAL THICKNESS mm	P/N BOX	MOQ
1	PUSH ON	0,25÷1	-	2,8	10	17,0	CuZn-Sn PVC	0,80	1850450	100
	PUSH ON	0,25÷1	-	6,3	12	21,0	CuZn-Sn PVC	0,80	1852000	100
2	PUSH ON	1÷2,5	-	4,7	10	19,5	CuZn-Sn PVC	0,50	1854550	100
	PUSH ON	1÷2,5	-	6,3	12	21,0	CuZn-Sn PVC	0,80	1856000	100
3	PUSH ON	2,5÷6	-	6,3	13	22,5	CuZn-Sn PVC	0,80	1862000	100

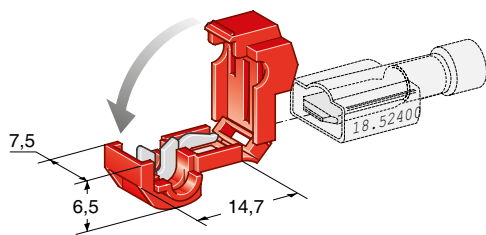
SELF STRIPPING



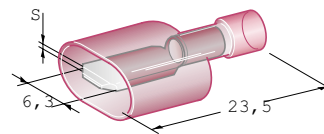
1



2



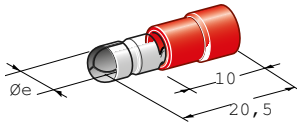
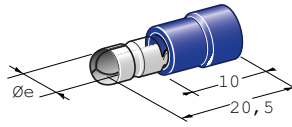
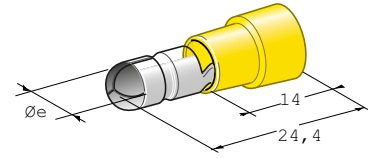
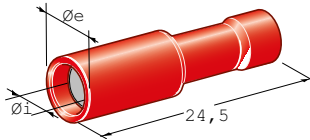
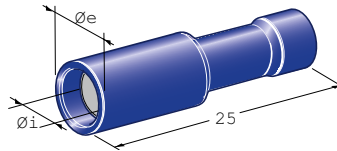
3



4

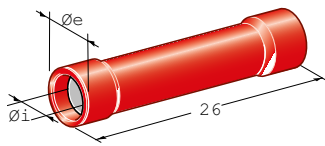
IMG	DESCRIPTION	WIRE SECTION mm ²	MATERIAL	MATERIAL THICKNESS mm	P/N BOX	MOQ	P/N BULK	MOQ
1	SELF-STRIPPING	0,25÷1	CuZn-Sn PP	-	4410090	100	4510090	10000
2	SELF-STRIPPING	1÷2,5	CuZn-Sn PP	-	4410091	100	4510091	10000
3	T-CONNECTIONS	0,25÷1	CuZn-Sn PA66 V094	-	4410096	50	4510096	1000
4	M630	0,25÷1	CuZn-Sn PVC	0,80	1852400	50		

BULLET

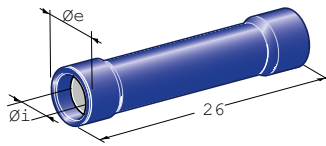

1

2

3

4

5

IMG	DESCRIPTION	WIRE SECTION mm ²	$\varnothing i$ mm	$\varnothing e$ mm	MATERIAL	MATERIAL THICKNESS mm	P/N BOX	MOQ
1	MALE BULLET	0,25÷1	-	4,0	CuZn-Sn PVC	0,40	1864000	100
2	MALE BULLET	1÷2,5	-	4,0	CuZn-Sn PVC	0,40	1864300	100
3	MALE BULLET	2,5÷6	-	5,0	CuZn-Sn PVC	0,40	1864700	100
4	FEMALE BULLET	0,25÷1	3,86	6,3	CuZn-Sn PVC	0,40	1864100	100
5	FEMALE BULLET	1÷2,5	3,86	6,3	CuZn-Sn PVC	0,40	1864400	100
	FEMALE BULLET	1÷2,5	4,85	7,0	CuZn-Sn PVC	0,40	1864600	50

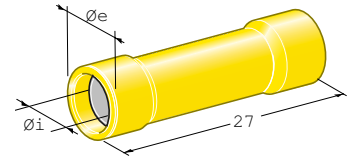
BUTT



1



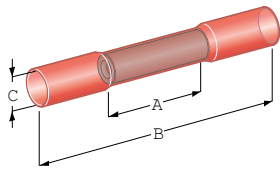
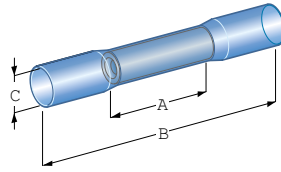
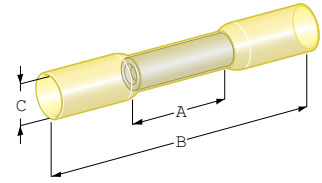
2



3

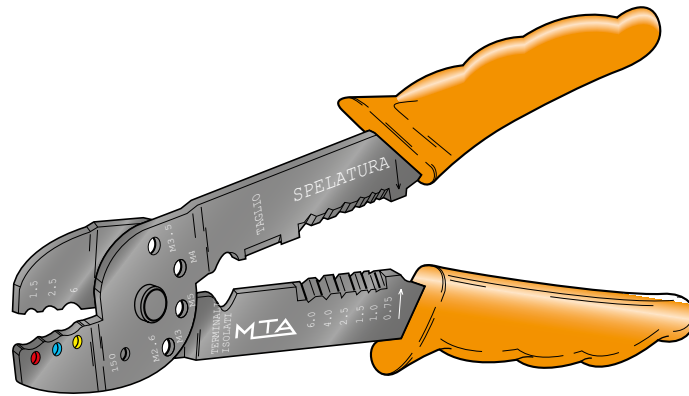
IMG	DESCRIPTION	WIRE SECTION mm ²	$\varnothing i$ mm	$\varnothing e$ mm	MATERIAL	MATERIAL THICKNESS mm	P/N BOX	MOQ
1	BUTT	0,25÷1	1,70	4,0	CuZn-Sn PVC	0,40	1868000	100
2	BUTT	1÷2,5	2,30	4,6	CuZn-Sn PVC	0,40	1868100	100
3	BUTT	2,5÷6	3,40	6,4	CuZn-Sn PVC	0,40	1868200	50

HEAT SHRINK


1

2

3

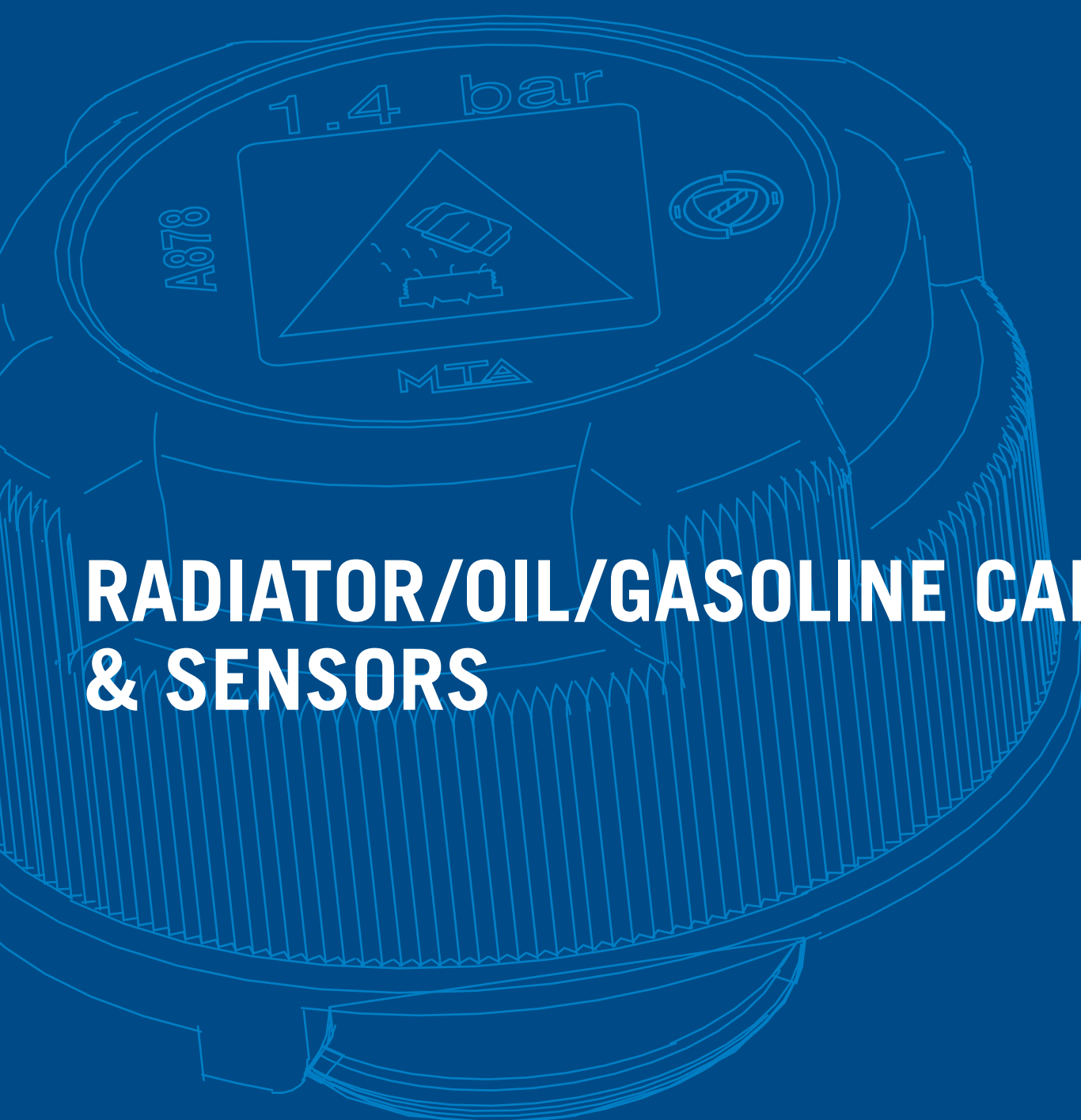
IMG	DESCRIPTION	WIRE SECTION mm ²	A mm	B mm	C mm	D mm	MATERIAL	MATERIAL THICKNESS mm	P/N BOX	MOQ
1	BUTT	0,75÷1,25	15,00	37,0	4,2	-	Cu-Sn PE	0,8	1880230	100
2	BUTT	1,25÷2,50	15,00	37,0	4,9	-	Cu-Sn PE	0,8	1880240	100
3	BUTT	2,5÷6	15,00	41,0	6,4	-	Cu-Sn PE	0,8	1880250	50

CRIMPING TOOLS



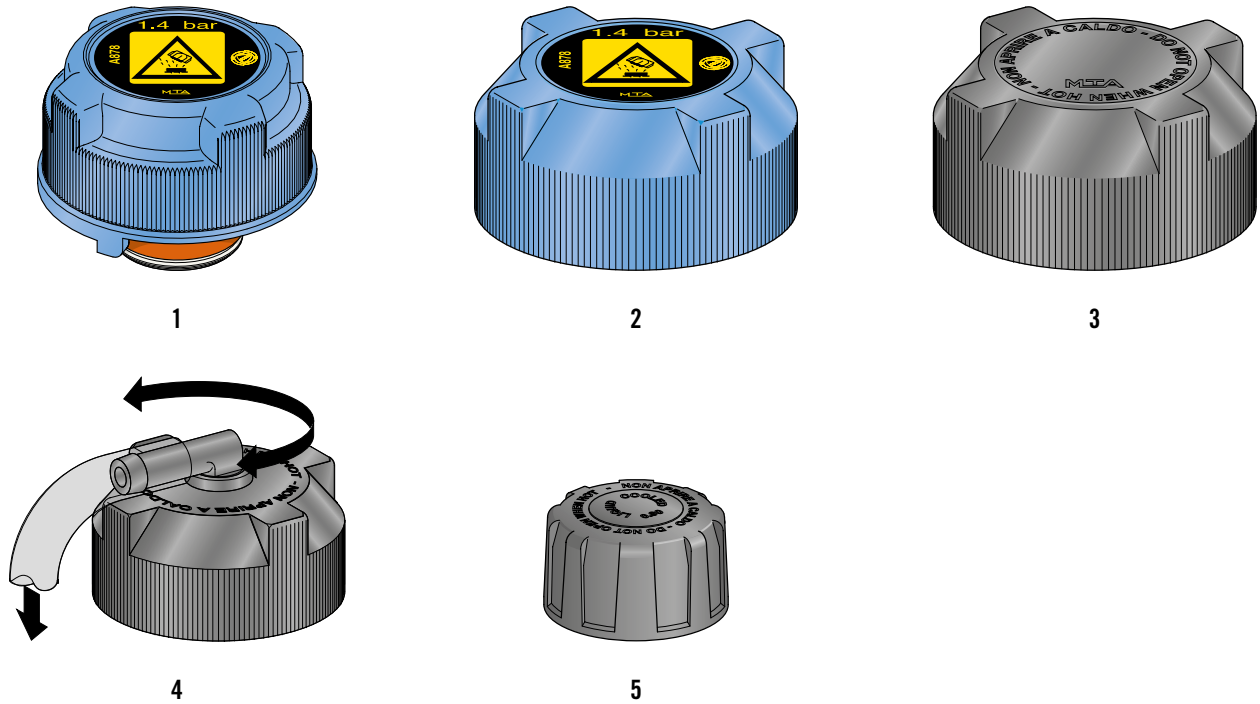
1

IMG	DESCRIPTION	WIRE SECTION mm ²	P/N BOX	MOQ
1	CRIMPING TOOL	0,25÷6	9602460	1

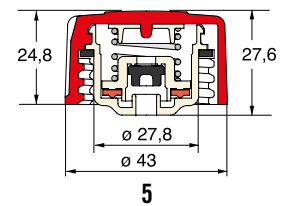
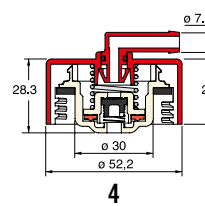
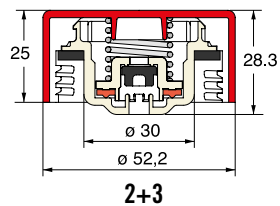
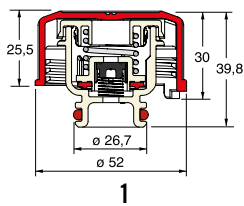


RADIATOR/OIL/GASOLINE CAPS & SENSORS

RADIATOR CAPS



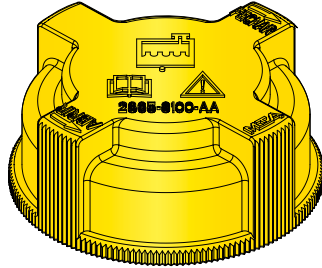
IMG	DESCRIPTION	PRESSION BAR	DEPRESSION BAR	MATERIAL	COLOUR	P/N BOX	MOQ	P/N BULK	MOQ
1	RADIATOR CAP	1	0,04 - 0,10	PP GF30	Blue			5056005	500
	RADIATOR CAP	1,4	0,04 - 0,10	PP GF30	Blue	5014877	1	5056000	500
2	RADIATOR CAP	1	0,04 - 0,10	PP GF30	Black	5014862	1	5050123	200
	RADIATOR CAP	1,4	0,04 - 0,10	PP GF30	Blue	5014873	1	5050103	200
3	RADIATOR CAP	1	0,04 - 0,10	PP GF30	Black	5014861	1	5114861	200
	RADIATOR CAP	1,2	0,04 - 0,10	PP GF30	Black			5050124	200
4	RADIATOR CAP	0,5	0,04 - 0,10	PP GF30	Black	5014900	1	5050090	200
	RADIATOR CAP	1	0,04 - 0,10	PP GF30	Black	5014901	1	5114901	200
5	RADIATOR CAP	1,4	0,04 - 0,10	PP GF30	Blue			5050108	200
	RADIATOR CAP	0,9	0,04 - 0,10	PP GF30	Black			5050097	270
	RADIATOR CAP	1,1	0,04 - 0,10	PP GF30	Black			5050121	270



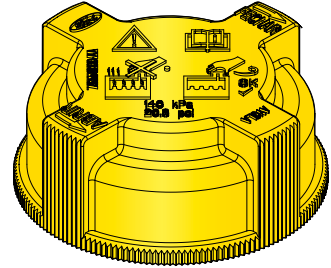
RADIATOR CAPS



1



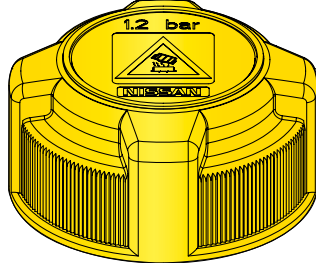
2



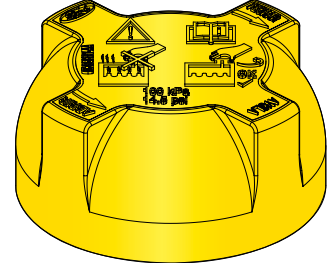
3



4



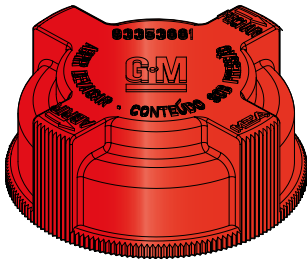
5



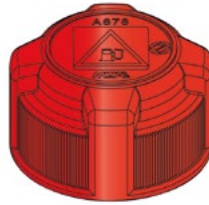
6

IMG	DESCRIPTION	PRESSON BAR	DEPRESSION BAR	MATERIAL	COLOUR	P/N BULK	MOQ
1	RADIATOR CAP GM	1,4	0,15 Max	PP GF30	Yellow	5050140	500
2	RADIATOR CAP (FORD)	1,4	0,04 - 0,10	PP GF30	Yellow	5050143	500
	RADIATOR CAP (FORD)	1,4	0,04 - 0,10	PP GF30	Black	5050156	200
3	RADIATOR CAP FORD	1,4	0,04 - 0,10	PP GF30	Yellow	5050147	500
	RADIATOR CAP FORD	1,4	0,04 - 0,10	PP GF30	Black	5050155	200
4	RADIATOR CAP FIAT	1,0	0,04 - 0,10	PP GF30	Yellow	5050126	500
	RADIATOR CAP FIAT	1,4	0,04 - 0,10	PP GF30	Yellow	5050127	500
5	RADIATOR CAP NISSAN	1,2	0,04 - 0,10	PP GF30	Yellow	5050227	500
6	RADIATOR CAP FORD TRUCK	1,0	0,15 Max	PP GF30	Yellow	5050136	500

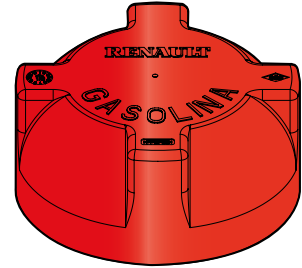
GASOLINE AND OIL CAPS



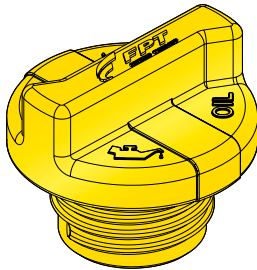
1



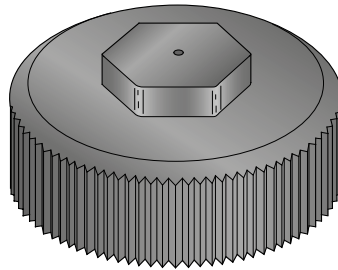
2



3



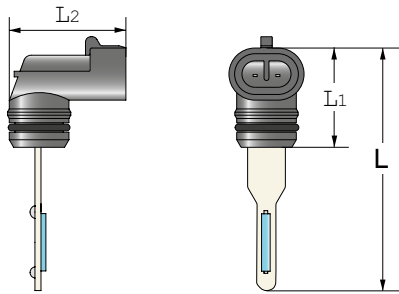
4



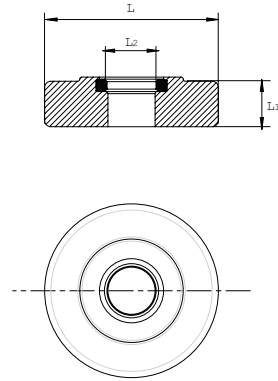
5

IMG	DESCRIPTION	PRESSION BAR	DEPRESSION BAR	MATERIAL	COLOUR	P/N BULK	MOQ
1	GASOLINE CAP GM	0,35	0,08 Max	PP GF30	Red	5050128	500
2	GASOLINE CAP FIAT	0,6	0,04 - 0,10	PP GF30	Red	5051108	500
3	GASOLINE CAP RENAULT	0,6	0,04 - 0,10	PP GF30	Red	5151137	500
4	OIL CAP FIAT/FORD			PP GF30	Yellow	5050133	500
5	DIESEL OIL TANK FOR TRUCKS			PP	Black	5515870	5

LEVEL SENSORS

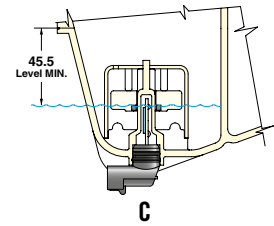
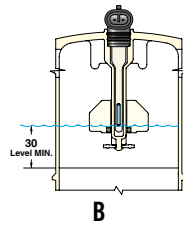
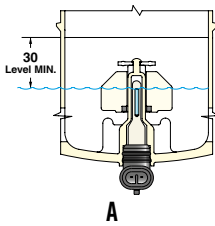


1

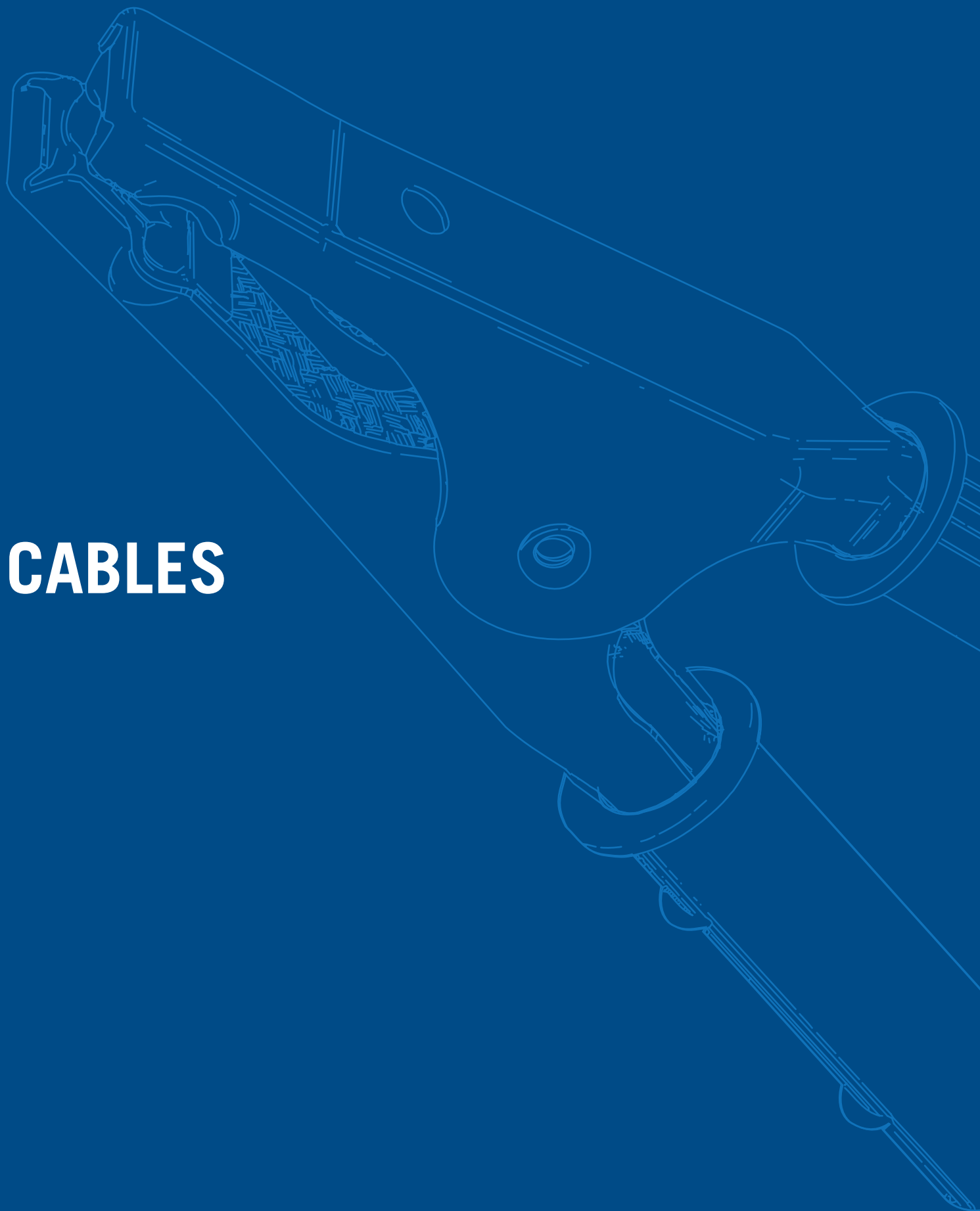


2

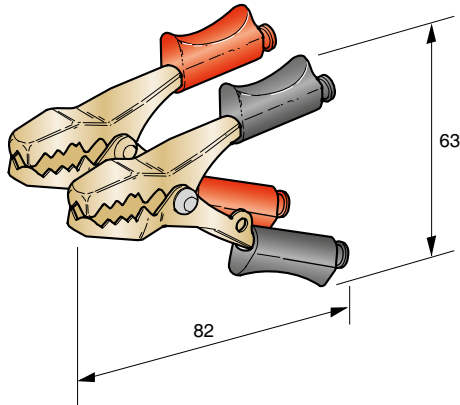
IMG	DESCRIPTION	TYPE	L mm	L1 mm	L2 mm	MATERIAL	P/N	MOQ
1	LEVEL SENSOR	A	64,4	26,4	30,9	PA66	7050088	600
	LEVEL SENSOR	B	84,4	26,4	30,9	PA66	7050096	400
	LEVEL SENSOR	C	53,7	26,4	30,9	PA66	7050092	600
	LEVEL SENSOR	A	64,4	26,4	30,9	PA66	7050100	600
	LEVEL SENSOR	A	64,4	26,4	30,9	PA66	7050101	600
2	FLOAT	A	42	11	11,4	PA Light Blue	7057093	1000
	FLOAT	C	42	11	11,4	PP White	7057092	700



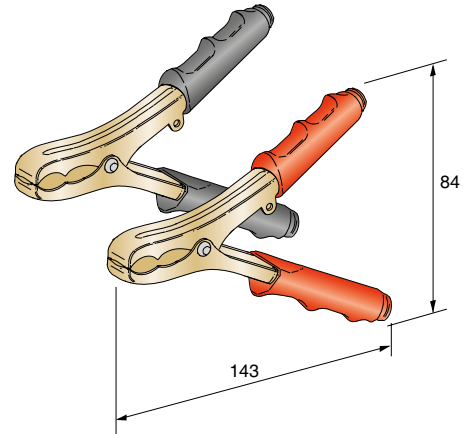
CABLES



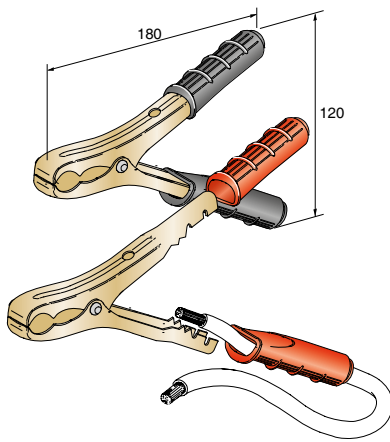
CHARGING CLIPS



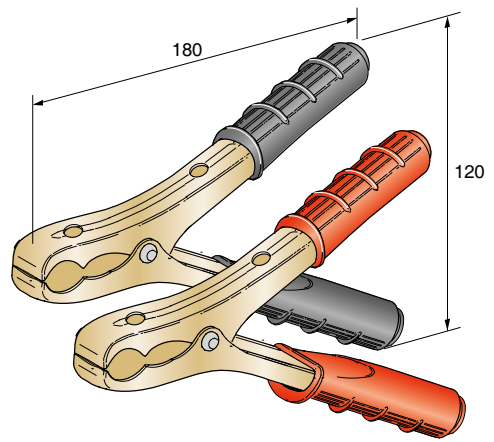
1



2



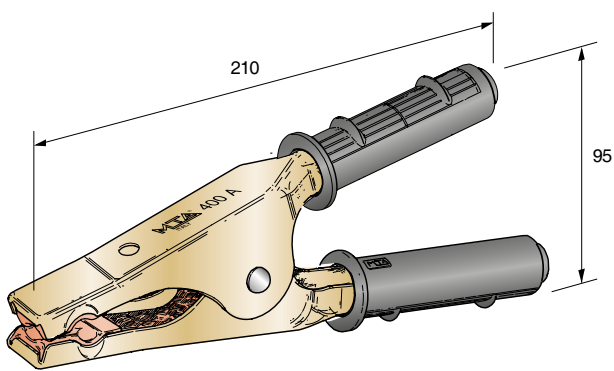
3



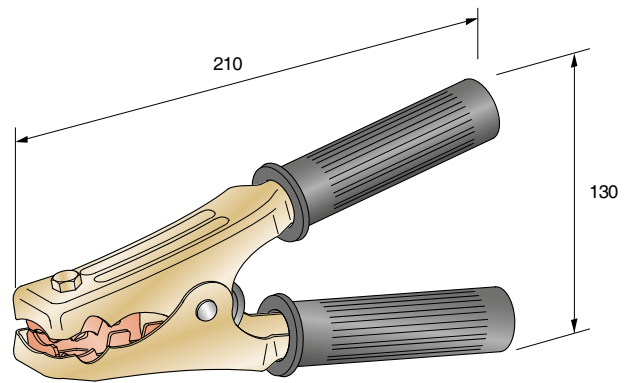
4

IMG	DESCRIPTION	AMP	COLOUR	WIRE SECTION mm ²	P/N BULK	MOQ
1	CHARGING CLIP	40 A	■ Red	6÷10	4914221	300
	CHARGING CLIP	40 A	■ Black	6÷10	4914222	300
2	CHARGING CLIP	100 A	■ Red	10÷25	4914256	200
	CHARGING CLIP	100 A	■ Black	10÷25	4914257	200
3	CHARGING CLIP	120 A	■ Red	10÷35	4914258	100
	CHARGING CLIP	120 A	■ Black	10÷35	4914259	100
4	CHARGING CLIP	200 A	■ Red	10÷35	4914262	100
	CHARGING CLIP	200 A	■ Black	10÷35	4914264	100

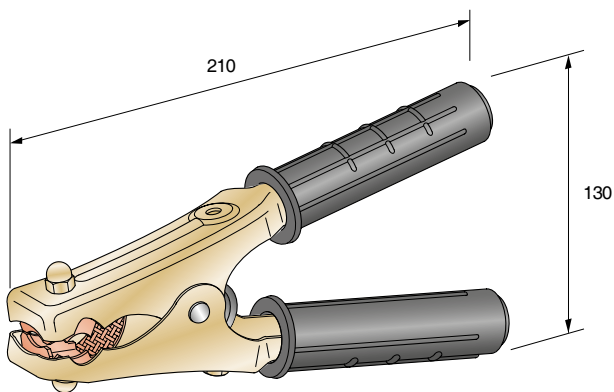
CHARGING CLIPS



1

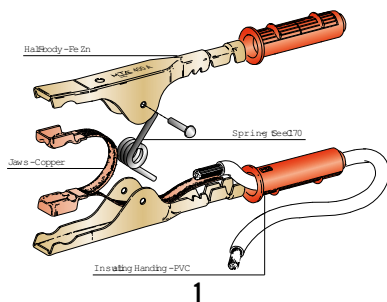


2

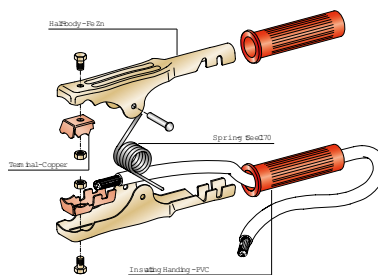


3

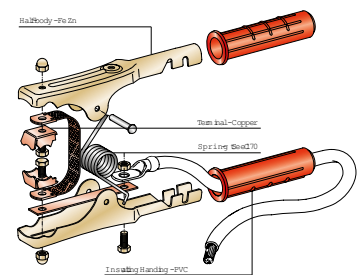
IMG	DESCRIPTION	AMP	COLOUR	WIRE SECTION mm2	P/N BULK	MOQ
1	CHARGING CLIPS	400 A	■ Red	10÷30	4914267	50
	CHARGING CLIPS	400 A	■ Black	10÷30	4914268	50
2	CHARGING CLIPS	500 A	■ Red	35÷50	4914312	25
	CHARGING CLIPS	500 A	■ Black	35÷50	4914313	25
3	CHARGING CLIPS	600 A	■ Red	50	4914322	25
	CHARGING CLIPS	600 A	■ Black	50	4914323	25



1

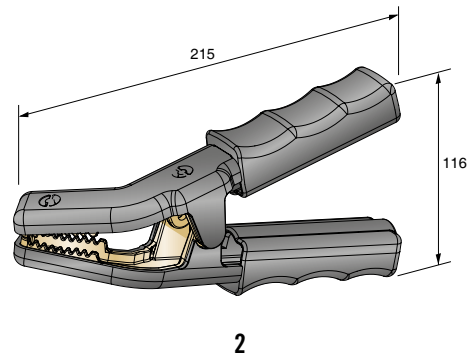
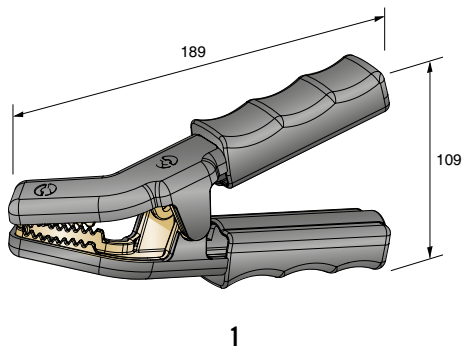


2

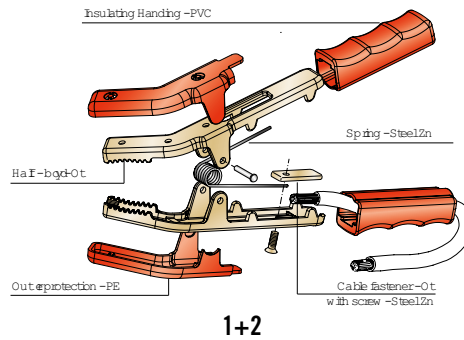


3

CHARGING CLIPS



IMG	DESCRIPTION	AMP	COLOUR	WIRE SECTION mm2	P/N BOX	MOQ
1	CHARGING CLIPS	850 A	Red	25÷70	4914327	17
	CHARGING CLIPS	850 A	Black	25÷70	4914326	17
2	CHARGING CLIPS	1000 A	Red+Black	35÷70	4814332	4



BOOSTER CABLES



1



2

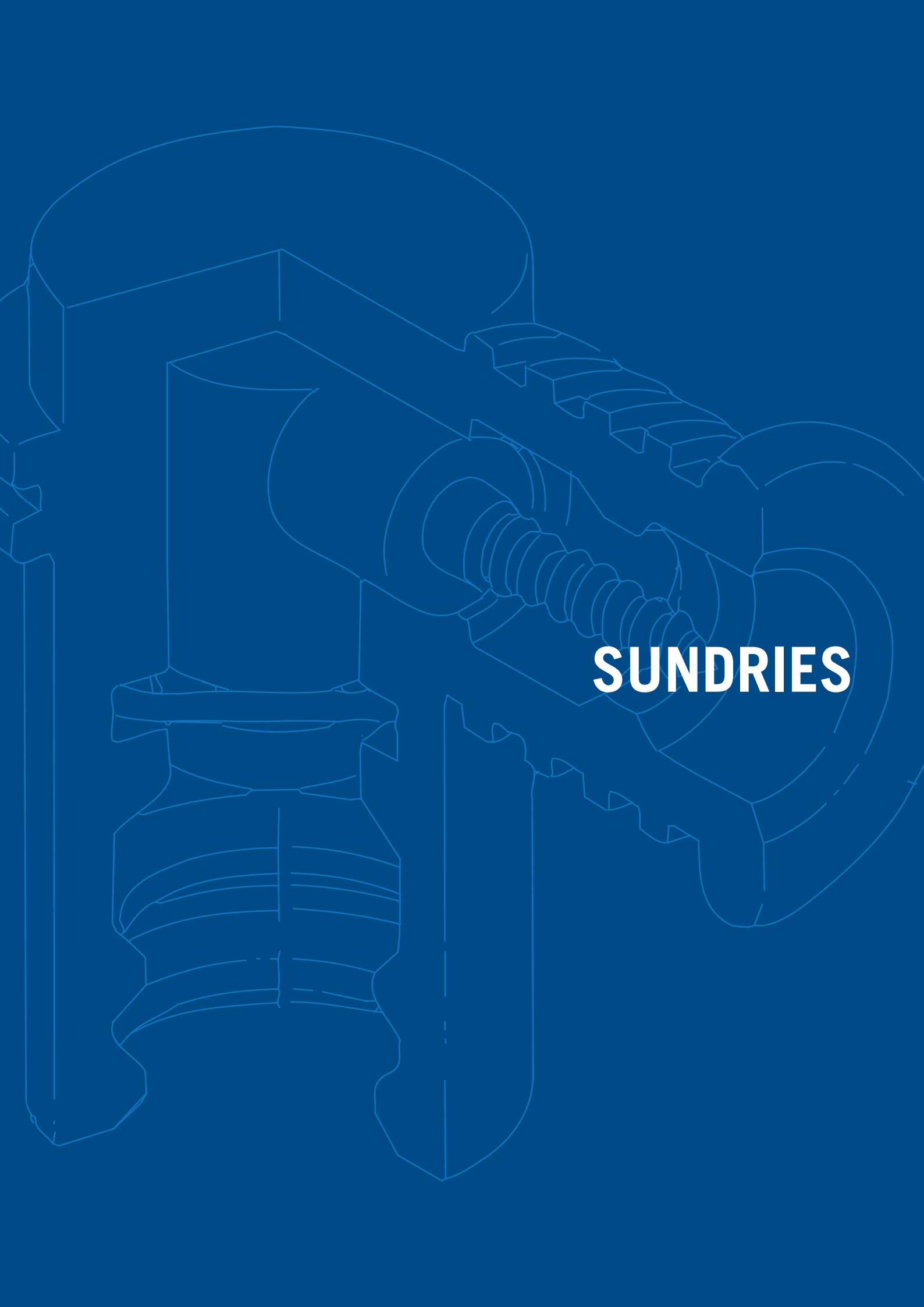


3

IMG	DESCRIPTION	MATERIAL	AMP	L mm	WIRE SECTION mm ²	P/N BOX	MOQ
1	BOOSTER CABLES	HI-FLEX	120 A	2500	16	4814271	1
	BOOSTER CABLES	HI-FLEX	120 A	2500	25	4814281	1
	BOOSTER CABLES	HI-FLEX	120 A	3500	25	4814282	1
2	BOOSTER CABLES	HI-FLEX	400 A	3500	25	4814290	1
	BOOSTER CABLES	HI-FLEX	400 A	5000	25	4814291	1
3	BOOSTER CABLES	HI-FLEX	500 A	5000	35	4814295	1
	BOOSTER CABLES	HI-FLEX	500 A	3500	50	4814373	1
	BOOSTER CABLES	HI-FLEX	600 A	5000	50	4814361	1

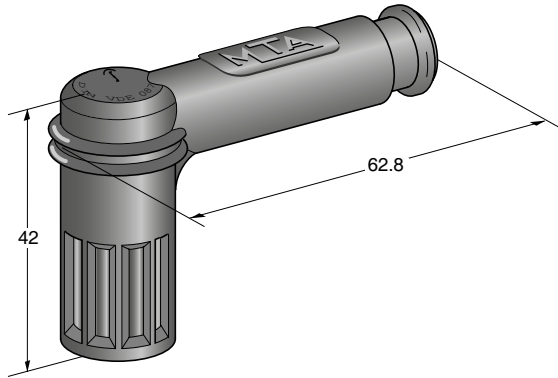
REUSABLE BAG WITH HANDLES

19 LANGUAGES INSTRUCTIONS

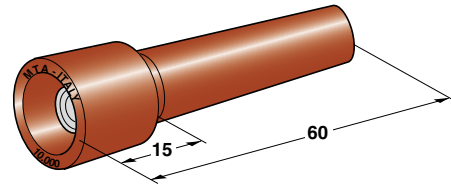


SUNDRIES

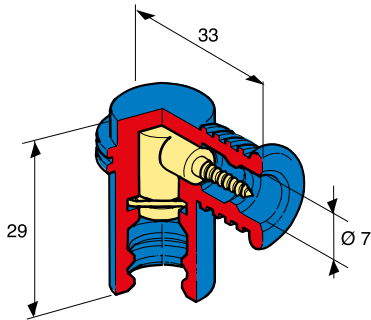
SPARK PLUGS



1

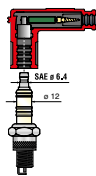


2



3

IMG.	DESCRIPTION	SPARK PLUG	RESISTANCE Ω	CABLE mm	MATERIAL	P/N BOX	MOQ	P/N BULK	MOQ
1	SPARK PLUG	D	5000	-	EPDM			1900930	450
2	SUPPRESSOR WITH WIRE WOUND RESISTOR		5000	-	PBT GF20	1000618	50		
3	SPARK PLUG			7	EPDM CuZn	1200590	50	1900590	1000

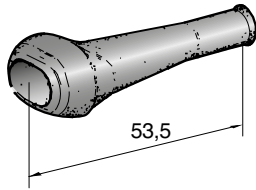


D

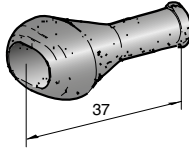


1000618

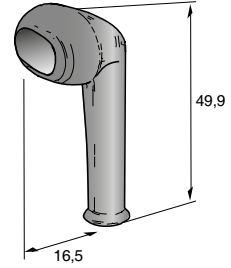
CAPS



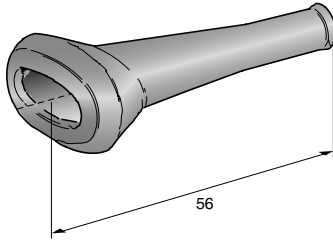
1



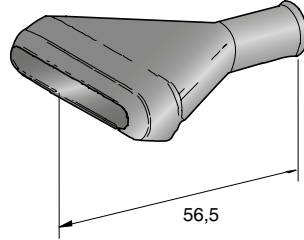
2



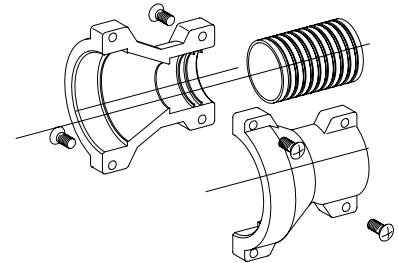
3



4



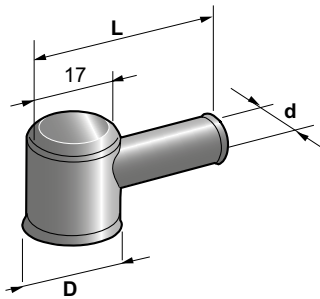
5



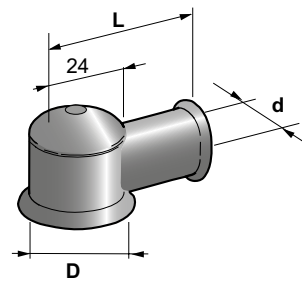
6

IMG	DESCRIPTION	WAY	∅ mm	MATERIAL	COLOUR	P/N BULK	MOQ
1	CAP FOR CONNECTOR JT	2		Rubber	■ Black	4520901	500
2	CAP FOR CONNECTOR JT	2		Rubber	■ Black	4520902	500
3	CAP FOR CONNECTOR JPT	2		Rubber	■ Black	4520911	500
4	CAP FOR CONNECTOR JPT	3		Rubber	■ Black	4520921	500
5	CAP FOR CONNECTOR JT	7		Rubber	■ Black	4520931	500
6	ADAPTOR FOR CONNECTORS		44,6	PA66	■ Black	4551575	500

CAPS



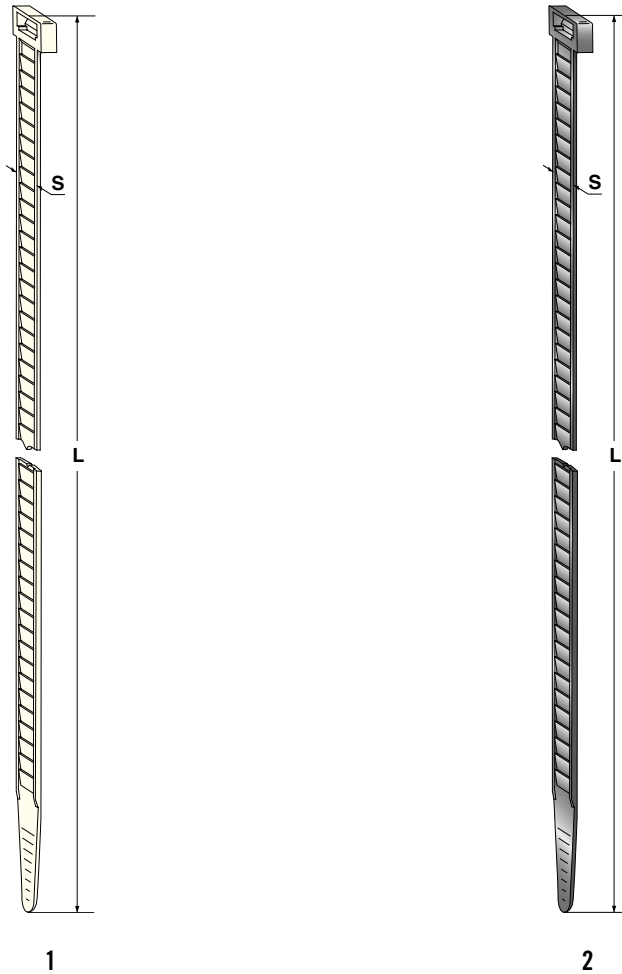
1



2

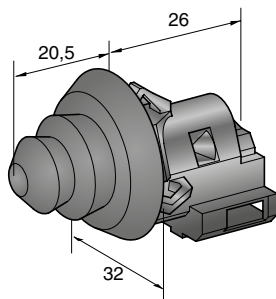
IMG	DESCRIPTION	L	d	D	MATERIAL	COLOUR	P/N BULK	MOQ
1	CAP	37	6	11	PVC	■ Black	4410300	100
	CAP	41	7,5	15	PVC	■ Black	4410310	100
	CAP	61	9	16	PVC	■ Black	4410320	100
2	ALTERNATOR CAP	48	11	21	CR60	■ Black	4510400	500

SELF EXTINGUISHING CABLE TIES

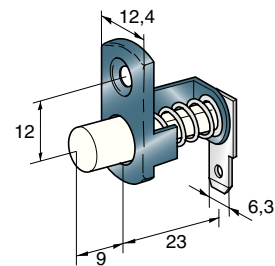


IMG.	DESCRIPTION	MATERIAL	OPERATION TEMP	L mm	S mm	Ø mm	Kg mm	P/N WHITE	MOQ	P/N BLACK	MOQ
1/2	SELF EXTINGUISHING CABLE TIE	PA66 V2 - UL94	-40°C +85°C	98	2,5	20	8			4621410	100
	SELF EXTINGUISHING CABLE TIE	PA66 V2 - UL94	-40°C +85°C	135	2,5	25	8			4621420	100
	SELF EXTINGUISHING CABLE TIE	PA66 V2 - UL94	-40°C +85°C	200	2,6	50	8			4621430	100
	SELF EXTINGUISHING CABLE TIE	PA66 V2 - UL94	-40°C +85°C	140	3,6	30	13			4621440	100
	SELF EXTINGUISHING CABLE TIE	PA66 V2 - UL94	-40°C +85°C	290	3,6	75	13	4621150	100	4621450	100
	SELF EXTINGUISHING CABLE TIE	PA66 V2 - UL94	-40°C +85°C	160	4,5	36	18			4621460	100
	SELF EXTINGUISHING CABLE TIE	PA66 V2 - UL94	-40°C +85°C	178	4,8	40	22			4621470	100
	SELF EXTINGUISHING CABLE TIE	PA66 V2 - UL94	-40°C +85°C	200	4,8	50	22	4621180	100	4621480	100
	SELF EXTINGUISHING CABLE TIE	PA66 V2 - UL94	-40°C +85°C	250	4,8	62	22			4621490	100
	SELF EXTINGUISHING CABLE TIE	PA66 V2 - UL94	-40°C +85°C	290	4,8	75	22	4621200	100	4621500	100
	SELF EXTINGUISHING CABLE TIE	PA66 V2 - UL94	-40°C +85°C	360	4,8	100	22	4621210	100	4621510	100
	SELF EXTINGUISHING CABLE TIE	PA66 V2 - UL94	-40°C +85°C	180	7,8	40	54			4621530	100
	SELF EXTINGUISHING CABLE TIE	PA66 V2 - UL94	-40°C +85°C	240	7,8	50	54			4621540	100
	SELF EXTINGUISHING CABLE TIE	PA66 V2 - UL94	-40°C +85°C	300	7,8	77	54			4621550	100
	SELF EXTINGUISHING CABLE TIE	PA66 V2 - UL94	-40°C +85°C	365	7,8	100	54	4621260	100	4621560	100
	SELF EXTINGUISHING CABLE TIE	PA66 V2 - UL94	-40°C +85°C	450	7,8	125	54			4621570	100
	SELF EXTINGUISHING CABLE TIE	PA66 V2 - UL94	-40°C +85°C	540	7,8	150	54			4621580	100
	SELF EXTINGUISHING CABLE TIE	PA66 V2 - UL94	-40°C +85°C	750	7,8	200	54			4621590	100

PRESS SWITCHES



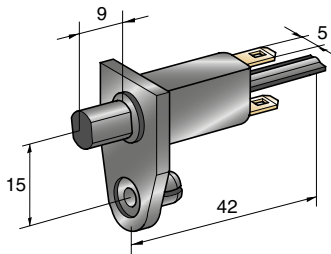
1



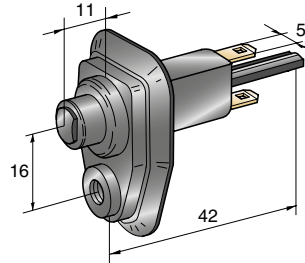
2

IMG	DESCRIPTION	APPLICATION	P/N BOX	MOQ
1	PRESS SWITCH	MULTIFUNCTIONAL - RENAULT	4209655	1
2	PRESS SWITCH	DOORS FIAT RITMO - PANDA - 131 - 132 - 128	4209500	1

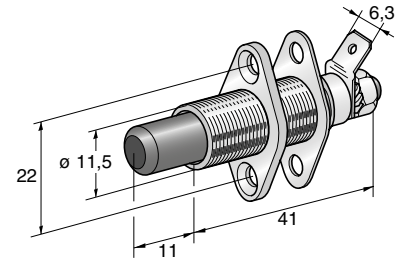
PRESS SWITCHES



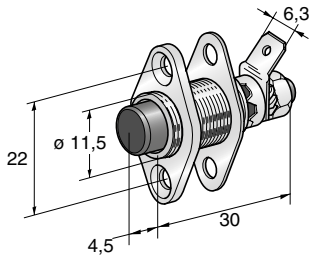
1



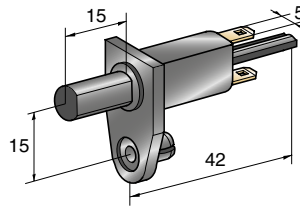
2



3



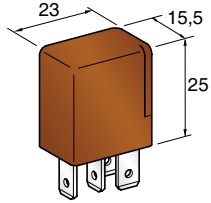
4



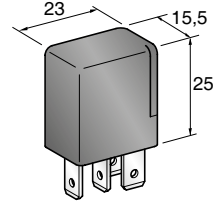
5

IMG	DESCRIPTION	APPLICATION	P/N BOX	MOQ
1	PRESS SWITCH	DOORS FIAT UNO	4209520	1
2	PRESS SWITCH	DOORS FIAT CROMA - LANCIA THEMA	4209530	1
3	PRESS SWITCH	AUTOALARM, DOORS, TAILGATES	4209570	1
4	PRESS SWITCH	AUTOALARM, DOORS, TAILGATES	4209580	1
5	PRESS SWITCH	BOOT ALFA 164	4209590	1

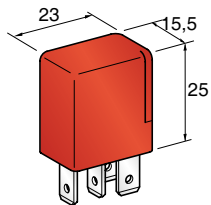
RELAYS



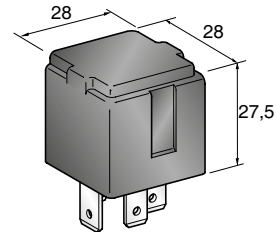
1



2

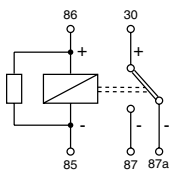


3

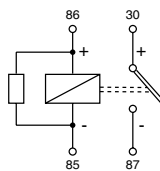


4

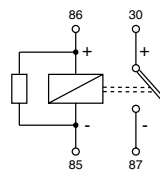
IMG	DESCRIPTION	COLOUR	RATED CURRENT WITH 80° C	RATED VOLTAGE	WORKING TEMPERATURE T.min/T.max	P/N BOX	MOQ
1	MICRO RELAY	Brown	10A (NC) - 20A (NO)	12 V	-40°C/+125°C	0603000	1
2	MICRO RELAY	Black	20A (NO)	12 V	-40°C/+125°C	0603010	1
3	MICRO RELAY	Red	30A (NO)	12 V	-40°C/+125°C	0603020	1
4	MAXI RELAY	Black	50A (NO)	12 V	-40°C/+125°C	0603050	1



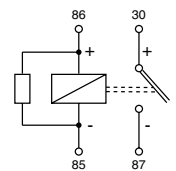
1



2

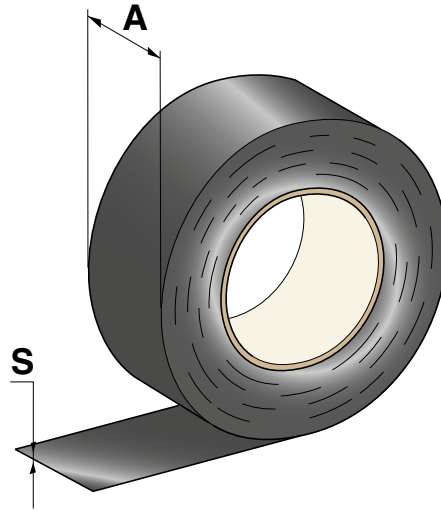


3



4

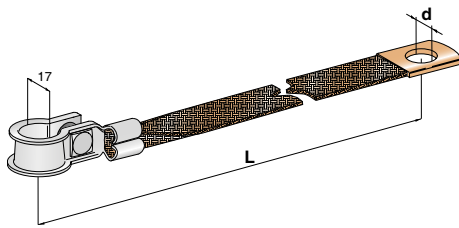
SELF EXTINGUISHING INSULATING TAPE



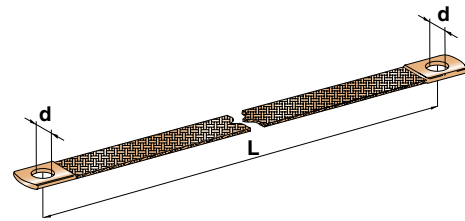
1

IMG	DESCRIPTION	MATERIAL	COLOUR	A mm	L mm	S mm	P/N BOX	MOQ
1	SELF-EXTINGUISHING INSULATING TAPE	PVC - V0	■ Black	15	10000	0,15	4640100	10
	SELF-EXTINGUISHING INSULATING TAPE	PVC - V0	■ Black	15	25000	0,15	4640200	10
	SELF-EXTINGUISHING INSULATING TAPE	PVC - V0	■ Black	19	25000	0,15	4640300	10
	SELF-EXTINGUISHING INSULATING CLOTH TAPE	RAYON	■ Black	19	25000	0,28	0100302	96

GROUND CONNECTIONS



1

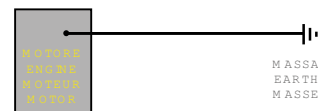


2

IMG	DESCRIPTION	WIRE SECTION mm2	d mm	L mm	P/N BOX	MOQ
1	EARTH CONNECTION	25	12,5	400	2508682	1
2	EARTH CONNECTION	10	8,4	280	2508652	1
	EARTH CONNECTION	15	10,4	330	2508660	1
	EARTH CONNECTION	15	10,4	450	2508661	1
	EARTH CONNECTION	15	10,4	280	2508662	1
	EARTH CONNECTION	15	10,4	210	2508663	1
	EARTH CONNECTION	25	12,5	320	2508670	1
	EARTH CONNECTION	25	12,5	400	2508672	1



1



2

LIST OF ALL ITEMS

LIST OF ALL ITEMS

P/N	PAGE	P/N	PAGE	P/N	PAGE	P/N	PAGE	P/N	PAGE
0100010	78	0101460	37	0300070	81	0300500	35	0301080	73, 74
0100302	188	0101470	39	0300071	81	0300540	60	0301152	77
0100335	75	0101484	37	0300330	68	0300541	60	0301163	34
0100336	75	0101491	51	0300331	68	0300542	60	0301180	42
0100337	75	0101494	38	0300336	75	0300552	31	0301199	30
0100350	67	0101497	82	0300341	70	0300557	30	0301200	73
0100351	67	0101498	82	0300342	70	0300558	30	0301204	30
0100353	67	0101499	82	0300351	67	0300560	60	0301210	73
0100358	91	0101504	38	0300352	90	0300561	60	0301223	83
0100359	67, 69	0101510	39	0300353	91	0300562	60	0301224	83
0100360	76	0101520	44	0300354	67	0300564	40	0301225	86
0100370	76	0101530	44	0300357	67, 68	0300580	60	0301226	86
0100380	80	0101540	43	0300358	91	0300581	60	0301227	86
0100390	74	0101550	42	0300359	67, 69	0300582	60, 61	0301229	20
0100391	74	0101564	37	0300360	76	0300590	61	0301230	20
0100392	91	0101568	53	0300370	76	0300600	61	0301237	49
0100400	66	0101569	55	0300380	80	0300602	61	0301249	86
0100415	66	0101580	41	0300390	74	0300610	61	0301250	85
0100416	64	0101590	41	0300391	74	0300612	61	0301251	85
0100420	69	0101600	39	0300392	91	0300650	57	0301252	84
0100430	91	0101640	37	0300395	90	0300660	57	0301301	65
0100440	91	0101660	38	0300397	105	0300670	57	0301305	65
0100500	35	0101690	39	0300398	90	0300680	57	0301307	65
0100540	60	0101695	38	0300400	66	0300690	90	0301310	65
0100560	60	0101697	40	0300402	66	0300691	90	0301315	65
0100580	60	0101698	40	0300415	66	0300697	92	0301320	65
0100590	61	0101703	22	0300416	64	0300698	92	0301325	65
0100600	61	0101706	43	0300419	27	0300699	42	0301330	65
0100610	61	0101707	43	0300420	69	0300700	57	0301370	50
0100655	57	0101881	71	0300421	28	0300791	40	0301371	50, 51, 53, 55
0100665	57	0101882	71	0300430	91	0300793	37	0301372	50
0100699	42	0101883	72	0300440	91	0300800	35	0301373	54
0100703	21	0101884	72	0300442	23	0300839	24	0301374	56
0100705	57	0200140	17	0300452	30	0300849	35	0301375	40
0100710	25	0200150	17	0300454	30	0300850	35	0301376	49
0100800	35	0200151	17	0300455	30	0300856	89	0301377	54, 56
0101005	73	0200170	17	0300456	30	0300949	89	0301400	64
0101180	42	0200171	17	0300457	30	0300950	35	0301407	52
0101223	83	0200180	17	0300458	30	0301000	73	0301410	64
0101224	83	0200181	17	0300459	30	0301030	73, 74	0301420	59
0101370	50	0200296	18	0300460	30	0301040	73, 74	0301430	59
0101371	50, 51, 53, 55	0200297	18	0300463	30	0301045	29	0301431	59
0101375	40	0200298	18	0300464	30	0301050	73, 74	0301435	59
0101377	52	0200299	18	0300465	30	0301053	28	0301450	43
0101400	64	0200300	18	0300468	23	0301060	73, 74	0301452	33
0101450	43	0200301	18	0300489	102	0301070	73, 74	0301460	37

LIST OF ALL ITEMS



P/N	PAGE	P/N	PAGE	P/N	PAGE	P/N	PAGE	P/N	PAGE
0301466	122	0301699	40	0424025	14	0600120	4	0602100	9
0301470	39	0301706	43	0424030	14	0600130	4	0602125	9
0301484	37	0301707	43	0424040	14	0600140	4	0602920	6
0301486	37	0301750	78	0424050	14	0600150	4	0602925	6
0301491	51	0301751	78	0424060	14	0600160	4	0602930	6
0301494	38	0301752	78	0470020	15	0600170	4	0602935	6
0301496	38	0301753	79	0470030	15	0600375	5	0602940	6
0301497	82	0301754	79	0470040	15	0600380	5	0602950	6
0301498	82	0301755	79	0470050	15	0600390	5	0602960	6
0301499	82	0301756	79	0470060	15	0600400	5	0603000	187
0301502	77	0301757	79	0470080	15	0600401	5	0603010	187
0301504	38	0301758	79	0470100	15	0600410	5	0603020	187
0301506	38	0301759	79	0471030	15	0600420	5	0603050	187
0301508	84	0301865	32	0471040	15	0600430	5	0610030	7
0301509	84	0301873	32	0471050	15	0600440	5	0610035	7
0301510	39	0301887	27	0471060	15	0600450	5	0610040	7
0301511	84	0302000	62	0471080	15	0600460	5	0610050	7
0301512	85	0302001	62	0471100	15	0600470	5	0610060	7
0301520	44	0302305	65	0472030	15	0600900	8	0610070	7
0301530	44	0302310	65	0472040	15	0600910	8	0610080	7
0301540	43	0302315	65	0472050	15	0600920	8	0615080	10
0301550	42	0302320	65	0472060	15	0600930	8	0615100	10
0301564	37	0302325	65	0472080	15	0600940	8	0615125	10
0301566	37	0302330	65	0472100	15	0600950	8	0615150	10
0301568	53	0303003	58	0474020	14	0600960	8	0615175	10
0301569	55	0303005	58	0474030	14	0600970	8	0615200	10
0301580	41	0303006	58	0474040	14	0601100	11	0615225	10
0301590	41	0303007	58	0474050	14	0601125	11	0615250	10
0301600	39	0303008	58	0474060	14	0601150	11	0615300	10
0301601	39, 40	0303009	58	0474070	14	0601175	11	0615500	10
0301602	39	0303010	58	0474080	14	0601200	11	0700090	4
0301608	44	0303015	58	0475020	15	0601250	11	0700100	4
0301620	48	0303020	58	0475030	15	0601300	11	0700101	4
0301630	49	0303025	58	0475040	15	0601350	13	0700110	4
0301640	37	0303030	58	0475050	15	0601400	13	0700120	4
0301660	38	0321000	73	0475060	15	0601401	11	0700130	4
0301661	38	0321200	73	0475070	15	0601450	13	0700140	4
0301680	46	0321210	73	0475080	15	0601500	13	0700150	4
0301681	47	0350459	30	0475100	15	0601600	11	0700160	4
0301682	45	0350558	30	0477045	14	0601700	13	0700170	4
0301690	39	0404015	14	0477065	14	0602030	9	0700210	16
0301691	39	0404020	14	0477075	14	0602040	9	0700220	16
0301695	38	0404025	14	0600090	4	0602050	9	0700230	16
0301696	38	0404030	14	0600100	4	0602060	9	0700240	16
0301697	40	0404040	14	0600101	4	0602070	9	0700250	16
0301698	40	0424020	14	0600110	4	0602080	9	0700260	16

LIST OF ALL ITEMS

P/N	PAGE	P/N	PAGE	P/N	PAGE	P/N	PAGE	P/N	PAGE
0700270	16	0702825	6	0710170	7	1101662	153	1107992	148
0700280	16	0702830	6	0710180	7	1101680	154	1107993	148
0700290	16	0702835	6	0710300	5	1101700	153	1108110	128
0700300	5	0702840	6	0710310	5	1101710	153	1108120	128
0700301	5	0702850	6	0710320	5	1101720	154	1108260	156
0700302	16	0702860	6	0710330	5	1102050	158	1108270	156
0700310	5	0702920	6	0710340	5	1104500	156	1108290	156
0700320	5	0702925	6	0710350	5	1104510	156	1108300	156
0700330	5	0702930	6	0710360	5	1105500	155	1108330	146
0700340	5	0702935	6	0710370	5	1105510	155	1108331	146
0700350	5	0702940	6	0710375	5	1105550	155	1108332	146
0700360	5	0702950	6	0711100	11	1105560	155	1108337	146
0700370	5	0702960	6	0711125	11	1105615	158	1108338	146
0700375	5	0705090	4	0711150	11	1105620	158	1108339	146
0700380	5	0705100	4	0711175	11	1105630	158	1108380	145
0700390	5	0705101	4	0711200	11	1105660	158	1108381	145
0700900	8	0705110	4	0711225	11	1105670	158	1108382	145
0700910	8	0705120	4	0711250	11	1107000	154	1108383	145
0700920	8	0705130	4	0712040	8	1107010	154	1108400	147
0700930	8	0705140	4	0712050	8	1107020	154	1108401	147
0700940	8	0705150	4	0712060	8	1107400	150	1108402	147
0700950	8	0705160	4	0715080	10	1107410	150	1108500	148
0700960	8	0705170	4	0715100	10	1107420	150	1108501	148
0700970	8	0708030	9	0715125	10	1107501	149	1108502	148
0701100	11	0708040	9	0715150	10	1107620	151	1108503	148
0701125	11	0708050	9	0715175	10	1107621	151	1108511	148
0701150	11	0708060	9	0715200	10	1107622	151	1108512	148
0701175	11	0708070	9	0715225	10	1107650	151	1108513	148
0701200	11	0708080	9	0715250	10	1107660	151	1200590	181
0701250	11	0708100	9	0715300	10	1107670	151	1301390	153
0701300	11	0708125	9	0715500	10	1107671	151	1301391	153
0701350	13	0708150	9	0730100	12	1107675	151	1301400	153
0701400	13	0708175	9	0730125	12	1107685	151	1301402	153
0701401	11	0708200	9	0730150	12	1107690	151	1301411	153
0701450	13	0710030	7	0730175	12	1107700	151	1301412	153
0701500	13	0710035	7	0730200	12	1107710	151	1301420	154
0701600	11	0710040	7	0730225	12	1107720	151	1301501	154
0701700	13	0710050	7	0730250	12	1107740	152	1301650	153
0702030	9	0710060	7	0730300	12	1107741	152	1301660	153
0702040	9	0710070	7	0730400	12	1107900	149	1506100	119
0702050	9	0710080	7	0730500	12	1107901	149	1506110	119
0702060	9	0710100	7	1000618	181	1107920	149	1506120	119
0702070	9	0710130	7	1101400	153	1107930	149	1506130	119
0702080	9	0710140	7	1101412	153	1107940	149	1506200	120
0702100	9	0710150	7	1101650	153	1107990	148	1506210	120
0702125	9	0710160	7	1101660	153	1107991	148	1506250	119

LIST OF ALL ITEMS



P/N	PAGE	P/N	PAGE	P/N	PAGE	P/N	PAGE	P/N	PAGE
1506260	119	1600069	139	1606770	137	1704010	138	1707410	150
1506270	119	1600070	126	1606775	137	1705606	130	1707420	150
1506280	119	1600072	126	1606785	137	1705616	130	1707620	151
1506655	118	1602550	124	1606791	137	1705626	130	1707621	151
1506658	118	1602970	124	1606795	137	1705656	130	1707622	151
1506665	118	1602980	124	1606796	137	1705705	130	1707650	151
1506668	118	1602981	124	1606981	134	1705715	130	1707660	151
1506678	118	1602990	124	1606982	134	1705725	130	1707670	151
1506720	118	1603000	124	1606990	134	1705726	131	1707671	151
1506730	118	1603001	136	1606992	134	1705735	130	1707672	151
1506740	120	1603002	136	1606994	134	1705745	130	1707675	151
1506760	120	1603003	136	1606995	141	1705825	131	1707685	151
1506765	120	1603004	136	1607400	141	1705835	131	1707690	151
1507601	117	1603005	136	1607500	138	1705846	131	1707700	151
1507700	115	1603006	136	1607510	139	1705855	131	1707710	151
1507701	115	1603007	136	1607511	139	1705856	131	1707720	151
1507703	115	1603008	136	1608180	128	1705857	131	1707740	152
1507704	115	1604300	126	1608190	128	1705925	131	1707741	152
1507705	115	1605000	144	1608196	128	1706600	137	1707742	152
1507707	115	1605010	144	1608380	138	1706700	125	1707760	150
1507708	115	1605020	144	1608381	138	1706701	125	1707770	150
1507736	115	1605021	144	1608400	140	1706710	125	1707780	150
1507760	115	1605030	144	1608420	140	1706711	125	1707900	149
1507771	115	1605040	144	1608500	138	1706712	135	1707901	149
1507772	115	1605100	144	1608510	138	1706713	137	1707902	149
1507790	115	1605110	144	1608520	142	1706720	125	1707911	149
1507800	116	1605610	132	1608540	143	1706721	125	1707912	149
1507820	116	1605620	132	1608700	142	1706730	125	1707920	149
1507875	116	1605630	132	1608800	128	1706731	125	1707930	149
1507905	117	1605650	132	1609000	124	1706740	125	1707932	149
1507915	117	1605700	132	1609200	126	1706741	125	1707940	149
1507925	117	1605710	132	1609320	128	1706750	125	1707942	149
1507946	117	1605720	132	1609330	128	1706760	125	1707990	148
1507955	117	1605730	132	1609340	128	1706880	137	1707991	148
1507957	117	1605800	132	1609910	142	1706890	137	1707992	148
1507975	117	1605810	132	1609920	142	1706900	133	1707994	148
1508001	115	1605811	132	1609960	143	1706910	133	1707995	148
1556792	143	1605820	132	1617500	138	1706930	133	1708110	128
1600047	139	1605830	132	1700043	151	1706940	133	1708120	128
1600048	134	1605847	132	1700044	151	1706950	134	1708160	125
1600055	127	1605900	132	1700055	129	1706960	134	1708170	126
1600056	127	1605905	131	1700056	129	1706975	135	1708175	126
1600057	127	1605910	132	1701650	153	1706977	135	1708200	134
1600060	85	1605911	132	1701655	153	1706980	134	1708210	126
1600067	139	1605920	132	1701940	154	1706990	134	1708215	126
1600068	139	1606500	137	1704000	138	1707400	150	1708220	134

LIST OF ALL ITEMS

P/N	PAGE	P/N	PAGE	P/N	PAGE	P/N	PAGE	P/N	PAGE
1708230	126	1850400	163	2508652	189	4410160	109	4507770	157
1708231	126	1850450	164	2508660	189	4410170	109	4507771	157
1708240	130	1851000	163	2508661	189	4410180	109	4510090	165
1708245	130	1851500	163	2508662	189	4410190	109	4510091	165
1708246	130	1852000	164	2508663	189	4410200	109	4510096	165
1708250	131	1852400	165	2508670	189	4410210	110	4510120	105
1708251	131	1853050	162	2508672	189	4410220	110	4510125	105
1708270	135	1853060	162	2508682	189	4410230	110	4510150	109
1708280	130	1853070	162	3001001	74	4410240	110	4510160	109
1708310	126	1853150	162	3050123	106	4410245	87	4510170	109
1708315	126	1853200	162	3050124	106	4410246	87	4510180	109
1708320	126	1853250	162	3050125	106	4410247	87	4510190	109
1708325	126	1854400	163	3050126	106	4410250	110	4510200	109
1708326	126	1854550	164	3050127	106	4410260	110	4510210	110
1708330	146	1855000	163	3050128	106	4410270	111	4510220	110
1708331	146	1855500	163	3050129	107	4410280	111	4510230	110
1708332	146	1856000	164	3050130	107	4410290	111	4510240	110
1708334	146	1857100	162	3050131	107	4410295	111	4510250	110
1708335	146	1857150	162	3050132	107	4410296	111	4510260	110
1708336	146	1857200	162	3050133	107	4410300	183	4510270	111
1708337	146	1857250	162	3050134	107	4410310	183	4510280	111
1708338	146	1860500	163	3050153	65	4410320	183	4510290	111
1708339	146	1861000	163	4209500	185	4420800	112	4510295	111
1708360	141	1862000	164	4209520	186	4423510	108	4510296	111
1708370	141	1863100	162	4209530	186	4423520	108	4510400	183
1708380	145	1863150	162	4209570	186	4423530	108	4510480	122
1708381	145	1863200	162	4209580	186	4423540	108	4510495	121
1708382	145	1863250	162	4209590	186	4423550	108	4510496	121
1708383	145	1863300	162	4209655	185	4423560	108	4510497	121
1708391	145	1864000	166	4407510	156	4423610	106	4510499	121
1708392	145	1864100	166	4407530	155	4423620	106	4510502	122
1708400	147	1864300	166	4407740	155	4423630	106	4510503	122
1708401	147	1864400	166	4407750	155	4423640	106	4510658	156
1708402	147	1864600	166	4410070	112	4423650	106	4510662	156
1708500	148	1864700	166	4410072	112	4423660	106	4510801	101
1708501	148	1868000	167	4410073	112	4423670	107	4510802	101
1708502	148	1868100	167	4410074	112	4423680	107	4510810	102
1708503	148	1868200	167	4410076	112	4423690	107	4510811	102
1708504	148	1880230	168	4410077	112	4423700	107	4510812	102
1708505	148	1880240	168	4410080	112	4423710	107	4510820	102
1708511	148	1880250	168	4410084	112	4423720	107	4510821	102
1708512	148	1900590	181	4410086	112	4423721	157	4510830	101
1708513	148	1900930	181	4410090	165	4430100	113	4510840	100
1793753	139	1901660	153	4410091	165	4430110	113	4510870	103
1796416	139	1907501	149	4410096	165	4430120	113	4510880	100
1850300	163	1951194	153	4410150	109	4430130	113	4510881	100

LIST OF ALL ITEMS



P/N	PAGE	P/N	PAGE	P/N	PAGE	P/N	PAGE
4510891	100	4545300	95, 96, 97	4621570	184	5050128	173
4510921	102	4545400	95	4621580	184	5050133	173
4510970	103	4545800	97	4621590	184	5050136	172
4510975	103	4550747	146	4640100	188	5050140	172
4520901	182	4550748	146	4640200	188	5050143	172
4520902	182	4550749	146	4640300	188	5050147	172
4520911	182	4550750	146	4814271	179	5050155	172
4520921	182	4550780	150	4814281	179	5050156	172
4520931	182	4550781	150	4814282	179	5050227	172
4540105	94	4550782	150	4814290	179	5051108	173
4540110	98	4550784	150	4814291	179	5056000	171
4540111	98	4551575	182	4814295	179	5056005	171
4540112	98	4551605	105	4814332	178	5114861	171
4540150	94	4551610	105	4814361	179	5114901	171
4540205	94	4551611	105	4814373	179	5151137	173
4540210	98	4551612	105	4914221	176	5515870	173
4540211	98	4551613	105	4914222	176	7050088	174
4540212	98	4551747	146	4914256	176	7050092	174
4540303	96	4551748	146	4914257	176	7050096	174
4540305	95	4551749	146	4914258	176	7050100	174
4540312	95	4551897	99	4914259	176	7050101	174
4540315	95	4551899	99	4914262	176	7057092	174
4540325	95	4551900	99	4914264	176	7057093	174
4540345	95	4551901	148	4914267	177	9450168	89
4540405	95	4551902	148	4914268	177	9450300	106
4540410	95	4551903	157	4914312	177	9602450	160
4540430	95	4621150	184	4914313	177	9602460	169
4540500	96	4621180	184	4914322	177	9602490	159
4540501	96	4621200	184	4914323	177		
4540502	96	4621210	184	4914326	178		
4540503	96	4621260	184	4914327	178		
4540705	97	4621410	184	5014861	171		
4540715	97	4621420	184	5014862	171		
4540735	97	4621430	184	5014873	171		
4540805	97	4621440	184	5014877	171		
4540816	99	4621450	184	5014900	171		
4540817	99	4621460	184	5014901	171		
4541100	104	4621470	184	5050090	171		
4541200	104	4621480	184	5050097	171		
4541201	104	4621490	184	5050103	171		
4541202	104	4621500	184	5050108	171		
4541203	26	4621510	184	5050121	171		
4541204	26	4621530	184	5050123	171		
4541205	26	4621540	184	5050124	171		
4545100	94, 95, 97	4621550	184	5050126	172		
4545200	94	4621560	184	5050127	172		

SOME OTHER PUBLICATIONS YOU COULD BE INTERESTED IN



PRODUCT CATALOGUE ANTENNAS

P/N 9951001

The complete offer of MTA Antennas products with P/Ns, features, technical characteristics and drawings.



POWER AND MODULAR SOLUTIONS

P/N 9951274

An overview of 12 V, 48 V and HV MTA range of products for power distribution.



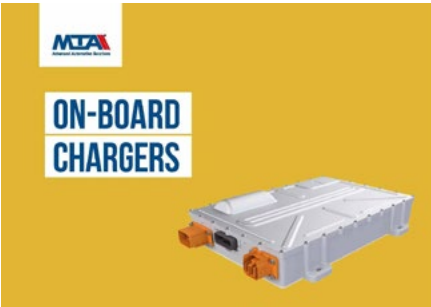




CUSTOMIZABLE SOLUTIONS

P/N 9951275

The complete range of customizable displays, dashboards and ECUs along with MTA specific software tools.

SOME OTHER PUBLICATIONS YOU COULD BE INTERESTED IN

 <p>The leaflet cover for 'ANTENNAS' features the MTA logo at the top left. Below it, the word 'ANTENNAS' is written in a white box. The main image shows several different types of antennas, including a circular one, a small black one, a large black curved one, and another circular one.</p>	<p>ANTENNAS</p> <p>P/N 9951002</p> <p>An overview of MTA antennas and infotainment solutions.</p>
 <p>The leaflet cover for 'AUTOMOTIVE FUSES' features the MTA logo at the top left. Below it, the words 'AUTOMOTIVE FUSES' are written in a white box. The main image shows a variety of colorful automotive fuses (blue, yellow, red, green, brown) and a fuse holder.</p>	<p>AUTOMOTIVE FUSES</p> <p>P/N 9987562</p> <p>The leaflet supplies the complete overview on all models of fuses developed and manufactured by MTA, member of ISO committee with several OEMs homologations.</p>
 <p>The leaflet cover for 'ON-BOARD CHARGERS' features the MTA logo at the top left. Below it, the words 'ON-BOARD CHARGERS' are written in a white box. The main image shows a white rectangular on-board battery charger with orange connectors.</p>	<p>ON-BOARD CHARGERS</p> <p>P/N 9951246</p> <p>The leaflet presents the range of advanced on-board battery chargers developed and produced under the brand EDN, covering voltages up to 1000 V.</p>
 <p>The leaflet cover for 'SMART FUSE BOX' features the MTA logo at the top left. Below it, the words 'SMART FUSE BOX' are written in a white box. The main image shows a black smart fuse box with various electrical components and connectors.</p>	<p>SMART FUSE BOX</p> <p>P/N 9951102</p> <p>A new intelligent power distribution unit, designed for agricultural, off-highway vehicles and buses.</p>
 <p>The leaflet cover for 'AGRI SIC SYSTEM' features the MTA logo at the top left. Below it, the words 'AGRI SIC SYSTEM' are written in a white box. The main image shows a silver electronic control unit with a circular inset showing a dashboard display and a smartphone.</p>	<p>AGRI SIC SYSTEM</p> <p>P/N 9951012</p> <p>The Agri SIC is a complete in-vehicle system for off-highway applications. It features an intelligent central unit that can manage and control all the displays, sharing data and contents.</p>

According to the copyright and the civil law, the reproduction of this catalogue, or any part of this one, by electronic, mechanical methods, by means of photocopies, microfilms, recordings or other, is peremptorily forbidden. Rights are reserved for all countries.

Drawings, specifications and reference numbers may be modified and changed. MTA S.p.A. reserves itself the right, to make changes for technical or quality improvements, without any notice.

The products in this catalogue are intended for industrial and professional use and must be installed and operated by qualified personnel. The buyer is obliged to inform the end user of the risks associated with the misuse of the products (e.g. electric shock, explosion, etc.). The seller shall be held exempt from any use that is improper and/or arising also and not only from omitted and/or insufficient information relating to the above products and their use.



To know MTA agents and distributors in the world please go to www.mta.it/en/sales-organization



Ref. 9951220

